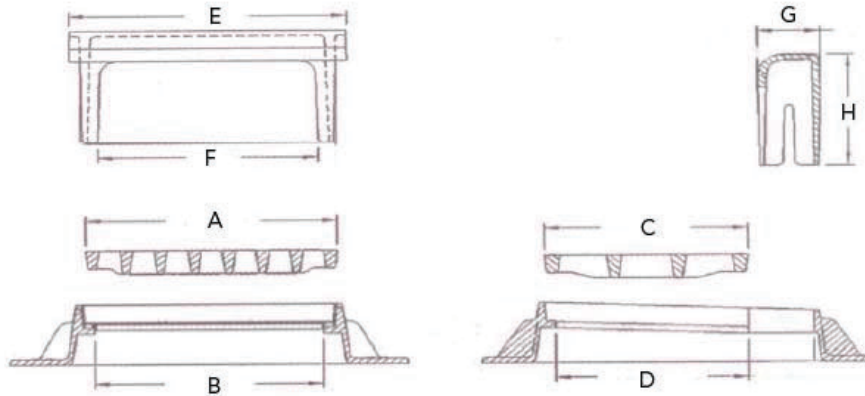
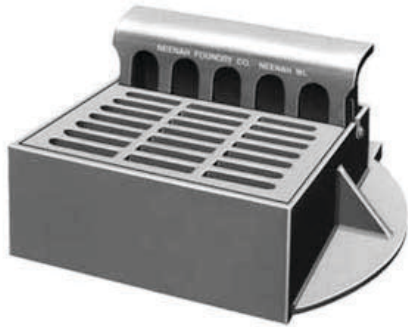


FLEXSTORM DIMENSIONAL FORM: CB

Style: Curb Box Frame and Grate



- A: GRATE WIDTH (LEFT TO RIGHT)
- B: FRAME CLEAR OPENING WIDTH (LEFT TO RIGHT)
- C: GRATE DEPTH (FRONT TO BACK)
- D: FRAME CLEAR OPENING DEPTH (FRONT TO BACK)
- E: CURB BACK OVERALL WIDTH
- F: CURB BACK OPENING SIZE
- G: CURB BACK WIDTH
- H: CURB BACK MAXIMUM HEIGHT

Frame P/N	Sizes
62SCB	Small: 64" max perimeter of clear opening B x D (20" x 12") - (16" x 16")
62MCB	Medium: 96" max perimeter of clear opening B x D (36" x 12") - (24" x 24")
62LCB	Large: 120" max perimeter of clear opening B x D (48" x 12") - (30" x 30")
62XLCB	XL (typically a 2-pc set): 168" max perimeter of clear opening B x D dimensions up to 48" x 36"

Ref	Dimension (+/- .1 in)
A	
B	
C	
D	
E	
F	
G	
H	



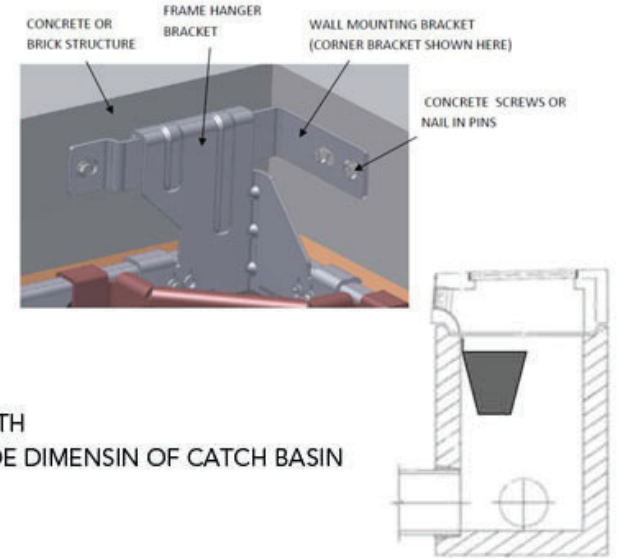
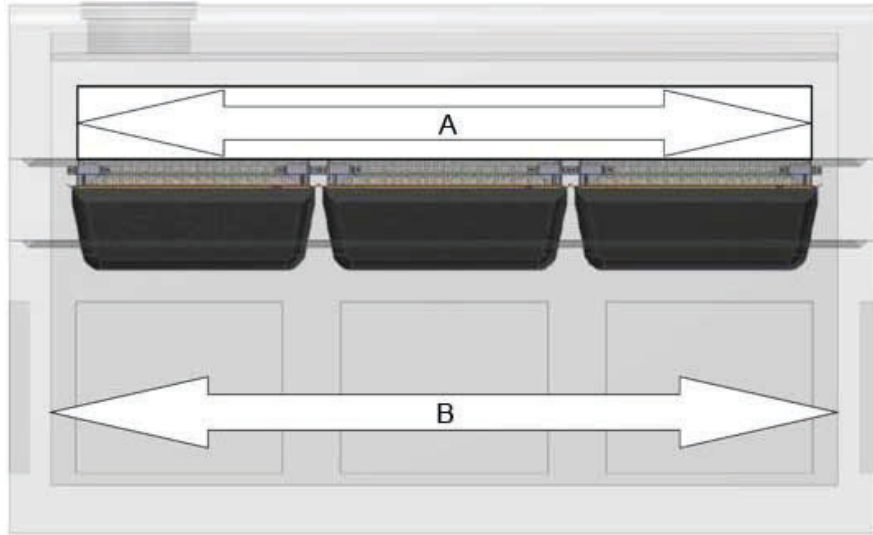
Phone: 866-287-8655
 Fax: 630-355-3477
www.inletfilters.com

www.ads-pipe.com
 Phone: 800-821-6710



FLEXSTORM DIMENSIONAL FORM: CI

Style: Open Throat Curb Inlets



A: CURB OPENING WIDTH
 B: WALL TO WALL INSIDE DIMENSION OF CATCH BASIN

Frame P/N	Sizes
62WM1	WM1: Up to 4' curb openings (A) (1 Filter and Mounting Hardware)
62WM2	WM2: Between 4' and 8' (A) (2 Filters and Mounting Hardware)
62WM3	WM3: Between 8' and 12' (A) (3 Filters and Mounting Hardware)
62WM4	WM4: Between 12' and 16' (A) (4 Filters and Mounting Hardware)

Ref	Dimension (+/- .1 in)
A	
B	



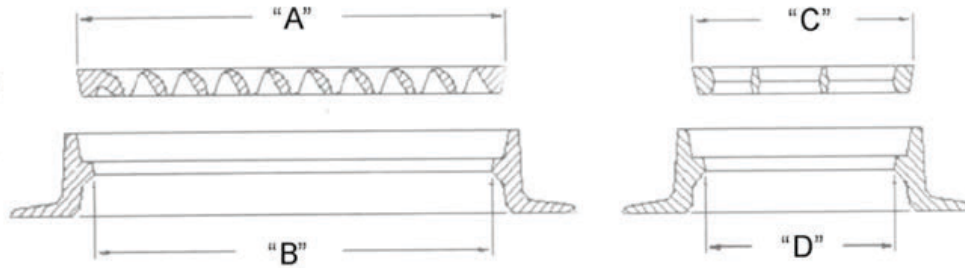
Phone: 866-287-8655
 Fax: 630-355-3477
www.inletfilters.com

www.ads-pipe.com
 Phone: 800-821-6710



FLEXSTORM DIMENSIONAL FORM: F

Style: Rectangular Frame and Grate



- A: GRATE WIDTH (LEFT TO RIGHT)
- B: FRAME CLEAR OPENING WIDTH (LEFT TO RIGHT)
- C: GRATE DEPTH (FRONT TO BACK)
- D: FRAME CLEAR OPENING DEPTH (FRONT TO BACK)

Frame P/N	Sizes
62SSQ	Small: 64" max perimeter of clear opening B x D (20" x 12") - (16" x 16")
62MSQ	Medium: 96" max perimeter of clear opening B x D (36" x 12") - (24" x 24")
62LSQ	Large: 120" max perimeter of clear opening B x D (48" x 12") - (30" x 30")
62XLSQ	XL (typically a 2-pc set): 168" max perimeter of clear opening B x D dimensions up to 48" x 36"

Ref	Dimension (+/- .1 in)
A	
B	
C	
D	



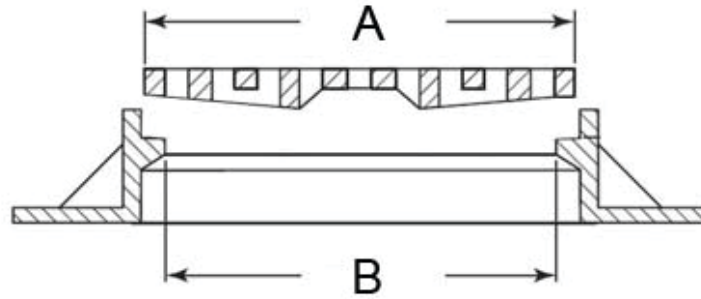
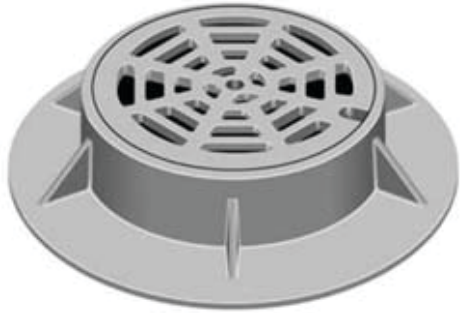
Phone: 866-287-8655
 Fax: 630-355-3477
www.inletfilters.com

www.ads-pipe.com
 Phone: 800-821-6710



FLEXSTORM DIMENSIONAL FORM: R

Style: Round Frame and Grate



A: GRATE DIAMETER

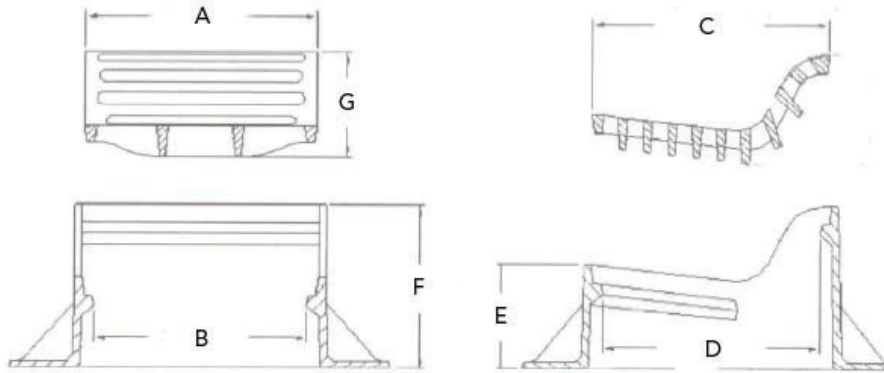
B: FRAME CLEAR OPENING DIAMETER

Frame P/N	Sizes
62SRD	Small: up to 19" diameter openings (B)
62MRD	Medium: up to 25" diameter openings (B)
62LRD	Large: up to 30" diameter openings (B)
62XLRD	XL: up to 37" diameter openings (B)
62XXLRD	XXL: up to 48" diameter openings (B)

Ref	Dimension (+/- .1 in)
A	
B	

FLEXSTORM DIMENSIONAL FORM: RC

Style: Rolled Curb Frame and Grate



- A: GRATE WIDTH (LEFT TO RIGHT)
- B: FRAME CLEAR OPENING WIDTH (LEFT TO RIGHT)
- C: GRATE DEPTH (FRONT TO BACK)
- D: FRAME CLEAR OPENING DEPTH (FRONT TO BACK)
- E: HEIGHT OF CASTING (STREET SIDE)
- F: HEIGHT OF CASTING (REAR CURB SIDE)
- G: OVERALL GRATE HEIGHT

Frame P/N	Sizes
62SSQ	Small: 64" max perimeter of clear opening B x D (20" x 12") - (16" x 16")
62MSQ	Medium: 96" max perimeter of clear opening B x D (36" x 12") - (24" x 24")
62LSQ	Large: 120" max perimeter of clear opening B x D (48" x 12") - (30" x 30")
62XLSQ	XL (typically a 2-pc set): 168" max perimeter of clear opening B x D dimensions up to 48" x 36"

Ref	Dimension (+/- .1 in)
A	
B	
C	
D	
E	
F	
G	



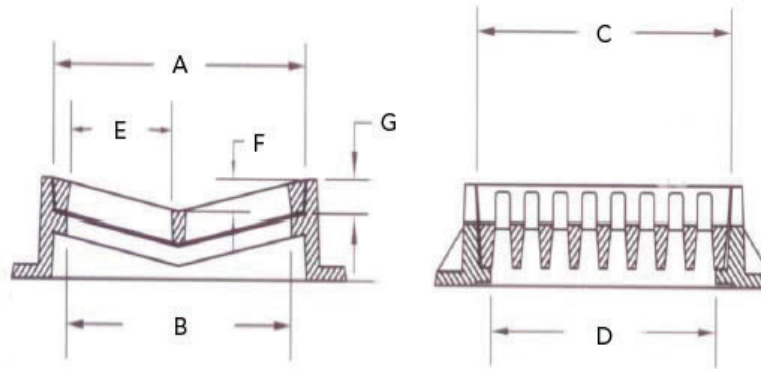
Phone: 866-287-8655
 Fax: 630-355-3477
www.inletfilters.com

www.ads-pipe.com
 Phone: 800-821-6710



FLEXSTORM DIMENSIONAL FORM: VG

Style: Valley Gutter V-Grate



- A: GRATE WIDTH (ALONG V PROFILE)
- B: FRAME CLEAR OPENING (ALONG V PROFILE)
- C: GRATE DEPTH
- D: FRAME CLEAR OPENING (ALONG LENGTH)
- E: DISTANCE TO GUTTER LOW POINT V
- F: HEIGHT OF VERTICAL DROP IN V GRATE
- G: GRATE THICKNESS

Frame P/N	Sizes
62SSQ	Small: 64" max perimeter of clear opening B x D (20" x 12") - (16" x 16")
62MSQ	Medium: 96" max perimeter of clear opening B x D (36" x 12") - (24" x 24")
62LSQ	Large: 120" max perimeter of clear opening B x D (48" x 12") - (30" x 30")
62XLSQ	XL (typically a 2-pc set): 168" max perimeter of clear opening B x D dimensions up to 48" x 36"

Ref	Dimension (+/- .1 in)
A	
B	
C	
D	
E	
F	
G	



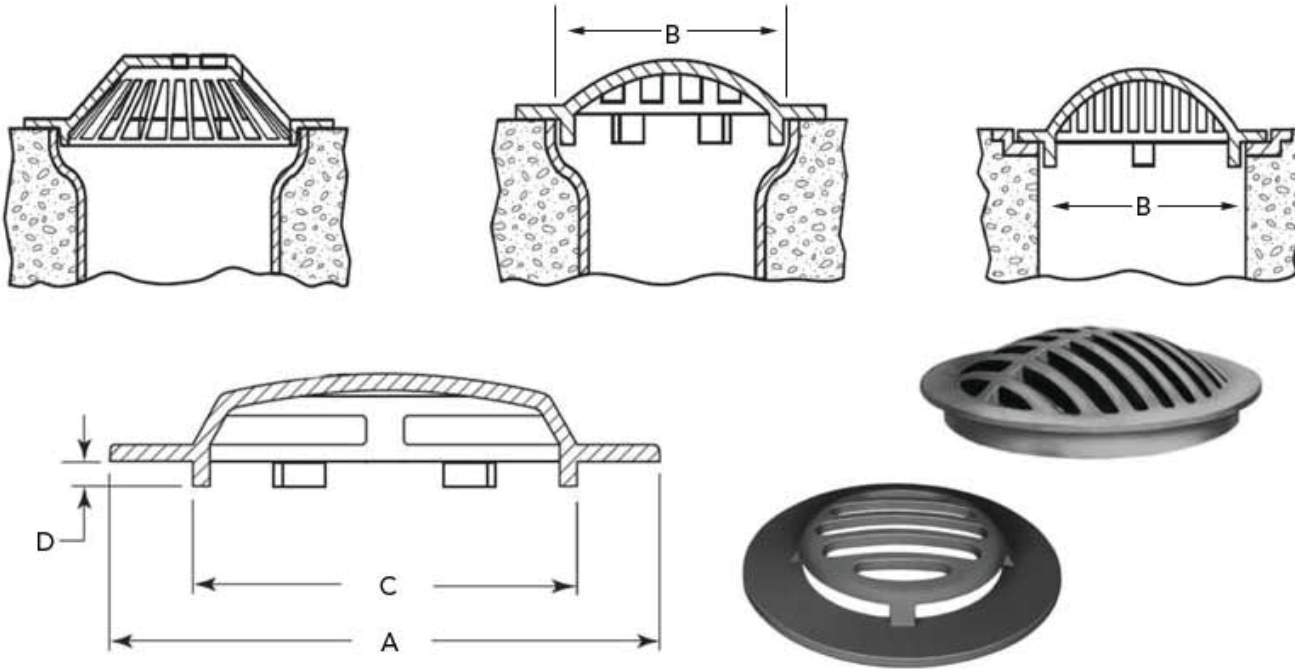
Phone: 866-287-8655
 Fax: 630-355-3477
www.inletfilters.com

www.ads-pipe.com
 Phone: 800-821-6710



FLEXSTORM DIMENSIONAL FORM: P1A

Style: Behive/Ditch/Inline Grates



- A: OUTSIDE DIAMETER OF GRATE
- B: CLEAR OPENING OF CONCRETE
- C: PILOT DIAMETER OF GRATE FLANGE/LUGS
- D: DEPTH OF LUGS OR PILOT EXTENSION BENEATH RESTING SURFACE

Frame P/N (ZINC PLATED)	HD Frame P/N (STAINLESS STEEL)	Sizes
62SRD	62SHDR	Small: up to 19" diameter openings (B)
62MRD	62MHDR	Medium: up to 25" diameter openings (B)
62LRD	62LHDR	Large: up to 30" diameter openings (B)
62XLRD	62XLHDR	XL: up to 37" diameter openings (B)
62XXLRD	62XXLHDR	XXL: up to 48" diameter openings (B)

Ref	Dimension (+/- .1 in)
A	
B	
C	
D	



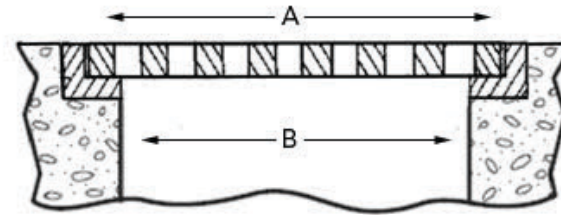
Phone: 866-287-8655
 Fax: 630-355-3477
www.inletfilters.com

www.ads-pipe.com
 Phone: 800-821-6710



FLEXSTORM DIMENSIONAL FORM: P1B

Style: Flat Grates on Angle/Slab Frames



A: GRATE DIAMETER
B: FRAME CLEAR OPENING DIAMETER

Frame P/N (ZINC PLATED)	HD Frame P/N (STAINLESS STEEL)	Sizes
62SRD	62SHDR	Small: up to 19" diameter openings (B)
62MRD	62MHDR	Medium: up to 25" diameter openings (B)
62LRD	62LHDR	Large: up to 30" diameter openings (B)
62XLRD	62XLHDR	XL: up to 37" diameter openings (B)
62XXLRD	62XXLHDR	XXL: up to 48" diameter openings (B)

Ref	Dimension (+/- .1 in)
A	
B	
C	
D	



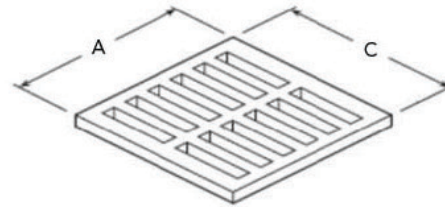
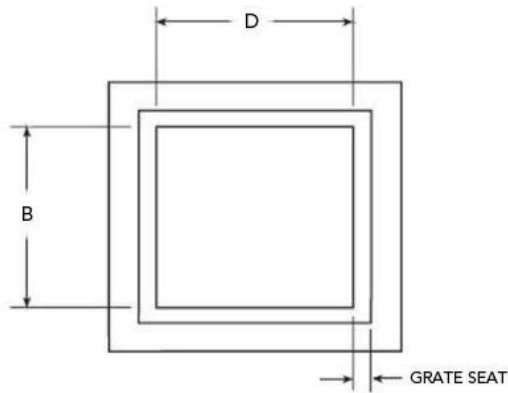
Phone: 866-287-8655
Fax: 630-355-3477
www.inletfilters.com

www.ads-pipe.com
Phone: 800-821-6710

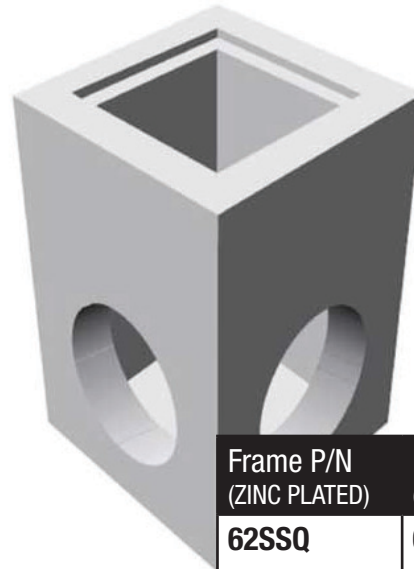
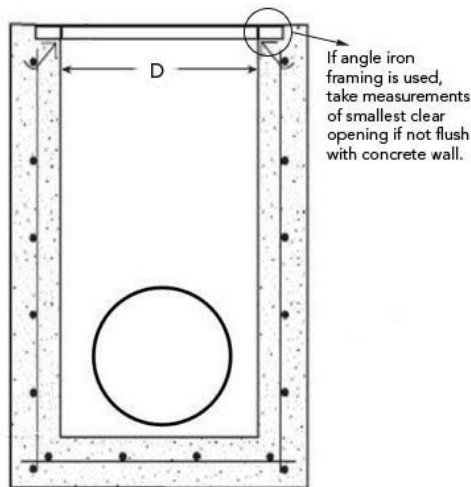


FLEXSTORM DIMENSIONAL FORM: P2A

Style: Square Grate 4 Seat Support



- A: GRATE SIZE (LEFT TO RIGHT)
- B: CLEAR OPENING (FRONT TO BACK)
- C: GRATE SIZE (LEFT TO RIGHT)
- D: CLEAR OPENING (FRONT TO BACK)



Ref	Dimension (+/- .1 in)
A	
B	
C	
D	

Frame P/N (ZINC PLATED)	HD Frame P/N (STAINLESS STEEL)	Sizes
62SSQ	62SHD	Small: 64" max perimeter of clear opening B x D dimensions 12" x 12" through 16" x 16"
62MSQ	62MHD	Medium: 96" max perimeter of clear opening B x D dimensions 18" x 18" through 24" x 24"
62LSQ	62LHD	Large: 120" max perimeter of clear opening B x D dimensions 26" x 26" through 30" x 30"
62XLSQ	62XLHD	XL: 168" max perimeter of clear opening B x D dimensions up to 32" x 32" through 48" x 48"



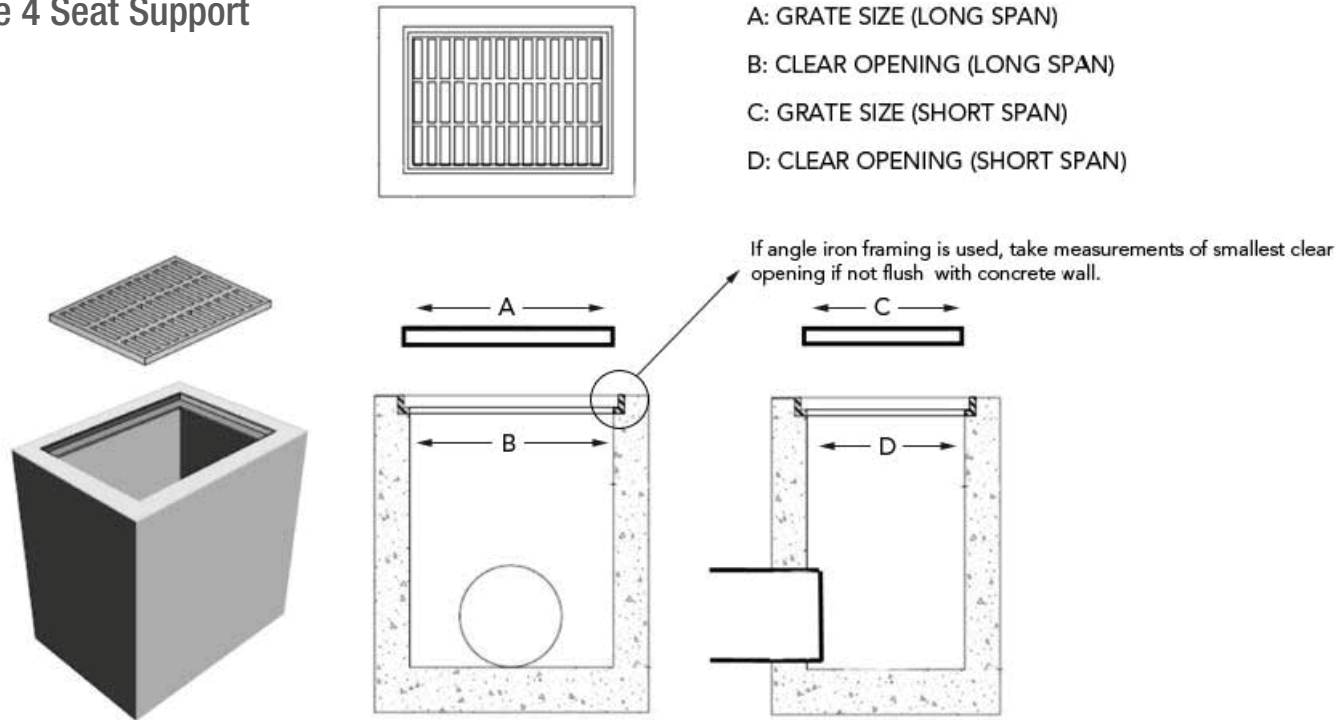
Phone: 866-287-8655
 Fax: 630-355-3477
www.inletfilters.com

www.ads-pipe.com
 Phone: 800-821-6710



FLEXSTORM DIMENSIONAL FORM: P2B

Style: Rectangular Grate 4 Seat Support



Frame P/N (ZINC PLATED)	HD Frame P/N (STAINLESS STEEL)	Sizes
62SSQ	62SHD	Small: 64" max perimeter of clear opening B x D (20" x 12") - (16" x 16")
62MSQ	62MHD	Medium: 96" max perimeter of clear opening B x D (36" x 12") - (24" x 24")
62LSQ	62LHD	Large: 120" max perimeter of clear opening B x D (48" x 12") - (30" x 30")
62XLSQ	62XLHD	XL (typically 2-pc set): 168" max perimeter of clear opening B x D dimensions up to 48" x 48"

Ref	Dimension (+/- .1 in)
A	
B	
C	
D	



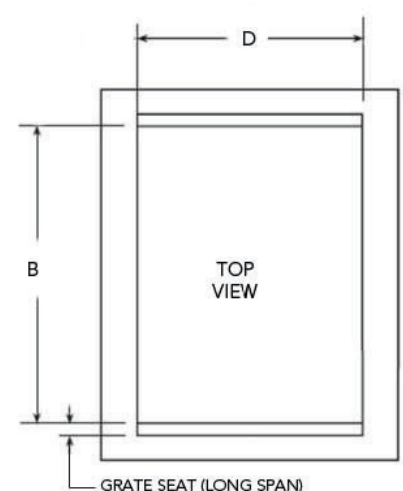
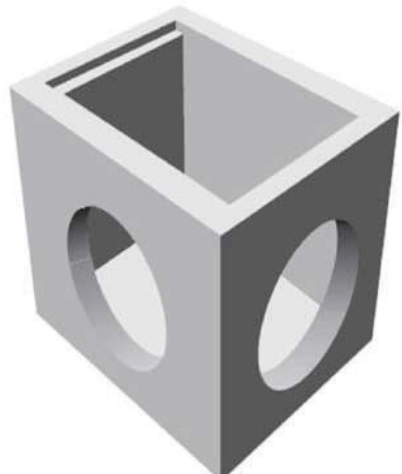
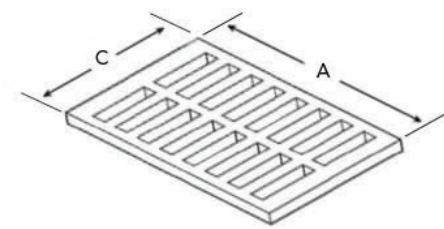
Phone: 866-287-8655
 Fax: 630-355-3477
 www.inletfilters.com

www.ads-pipe.com
 Phone: 800-821-6710

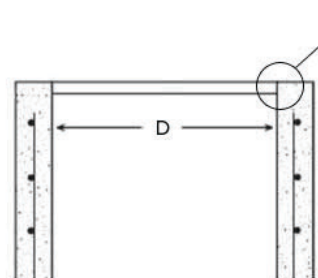


FLEXSTORM DIMENSIONAL FORM: P2C

Style: Rectangular Grate 2 Seat Support (Long Span)



- A: GRATE SIZE (LONG SPAN)
- B: CLEAR OPENING (LONG SPAN)
- C: GRATE SIZE (SHORT SPAN)
- D: CLEAR OPENING (SHORT SPAN)



If angle iron framing is used, take measurements of smallest clear opening if not flush with concrete wall.

Frame P/N (ZINC PLATED)	HD Frame P/N (STAINLESS STEEL)	Sizes
62SSQ	62SHD	Small: 64" max perimeter of clear opening B x D (20" x 12") - (16" x 16")
62MSQ	62MHD	Medium: 96" max perimeter of clear opening B x D (36" x 12") - (24" x 24")
62LSQ	62LHD	Large: 120" max perimeter of clear opening B x D (48" x 12") - (30" x 30")
62XLSQ	62XLHD	XL (typically 2-pc set): 168" max perimeter of clear opening B x D dimensions up to 48" x 48"

Ref	Dimension (+/- .1 in)
A	
B	
C	
D	



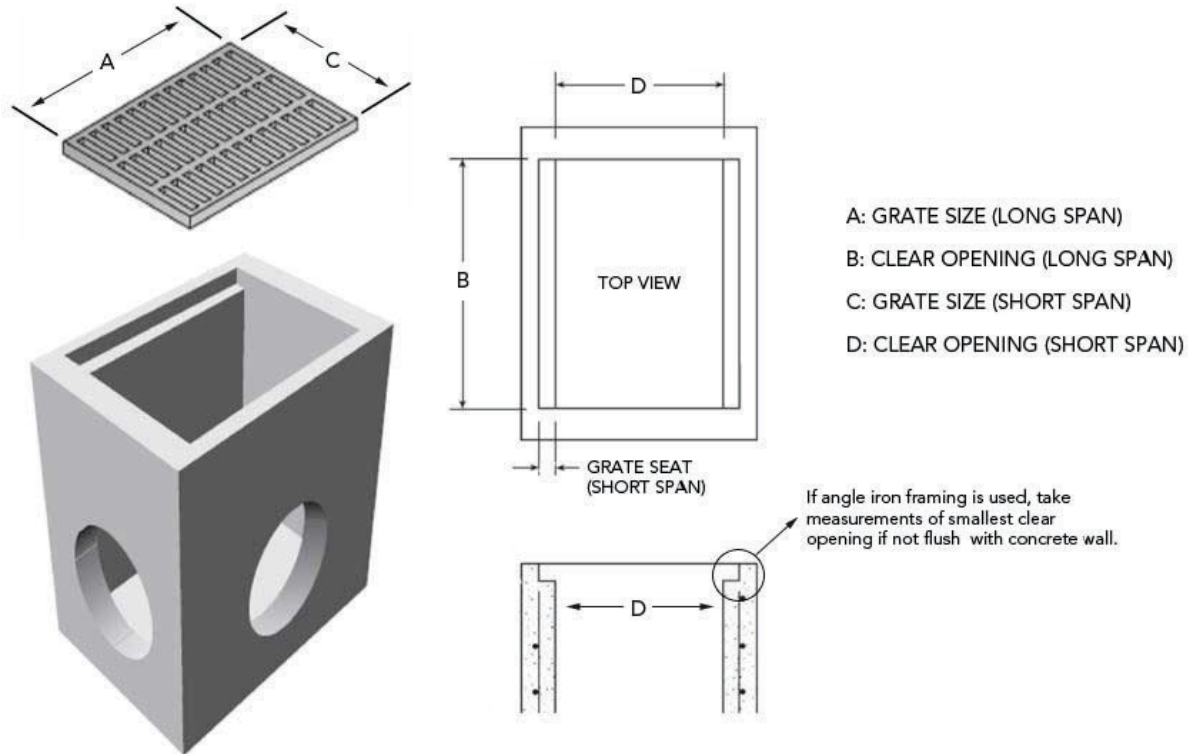
Phone: 866-287-8655
 Fax: 630-355-3477
www.inletfilters.com

www.ads-pipe.com
 Phone: 800-821-6710



FLEXSTORM DIMENSIONAL FORM: P2D

Style: Rectangular Grate 2 Seat Support (Short Span)



Frame P/N (ZINC PLATED)	HD Frame P/N (STAINLESS STEEL)	Sizes
62SSQ	62SHD	Small: 64" max perimeter of clear opening B x D (20" x 12") - (16" x 16")
62MSQ	62MHD	Medium: 96" max perimeter of clear opening B x D (36" x 12") - (24" x 24")
62LSQ	62LHD	Large: 120" max perimeter of clear opening B x D (48" x 12") - (30" x 30")
62XLSQ	62XLHD	XL (typically 2-pc set): 168" max perimeter of clear opening B x D dimensions up to 48" x 48"

Ref	Dimension (+/- .1 in)
A	
B	
C	
D	



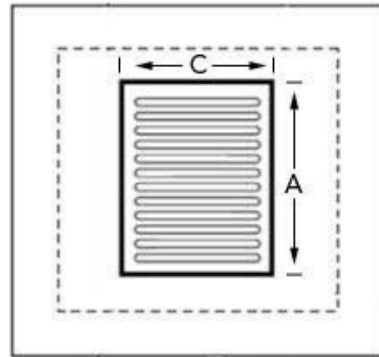
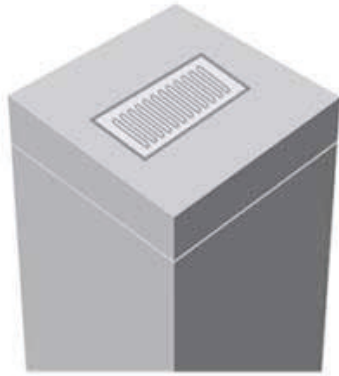
Phone: 866-287-8655
 Fax: 630-355-3477
 www.inletfilters.com

www.ads-pipe.com
 Phone: 800-821-6710

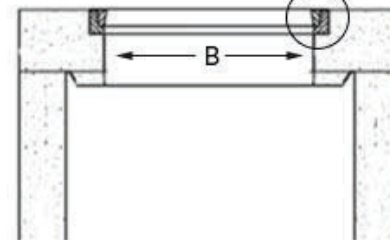
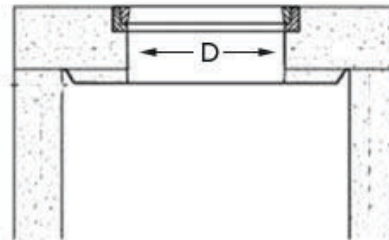


FLEXSTORM DIMENSIONAL FORM: P2E

Style: Square/Rectangular Grate in Top Slab



- A: GRATE SIZE (LONG SPAN)
- B: CLEAR OPENING (LONG SPAN)
- C: GRATE SIZE (SHORT SPAN)
- D: CLEAR OPENING (SHORT SPAN)



If angle iron framing is used, take measurements of smallest clear opening if not flush with concrete wall.

Frame P/N (ZINC PLATED)	HD Frame P/N (STAINLESS STEEL)	Sizes
62SSQ	62SHD	Small: 64" max perimeter of clear opening B x D (20" x 12") - (16" x 16")
62MSQ	62MHD	Medium: 96" max perimeter of clear opening B x D (36" x 12") - (24" x 24")
62LSQ	62LHD	Large: 120" max perimeter of clear opening B x D (48" x 12") - (30" x 30")
62XLSQ	62XLHD	XL (typically 2-pc set): 168" max perimeter of clear opening B x D dimensions up to 48" x 48"

Ref	Dimension (+/- .1 in)
A	
B	
C	
D	



Phone: 866-287-8655
 Fax: 630-355-3477
www.inletfilters.com

www.ads-pipe.com
 Phone: 800-821-6710

