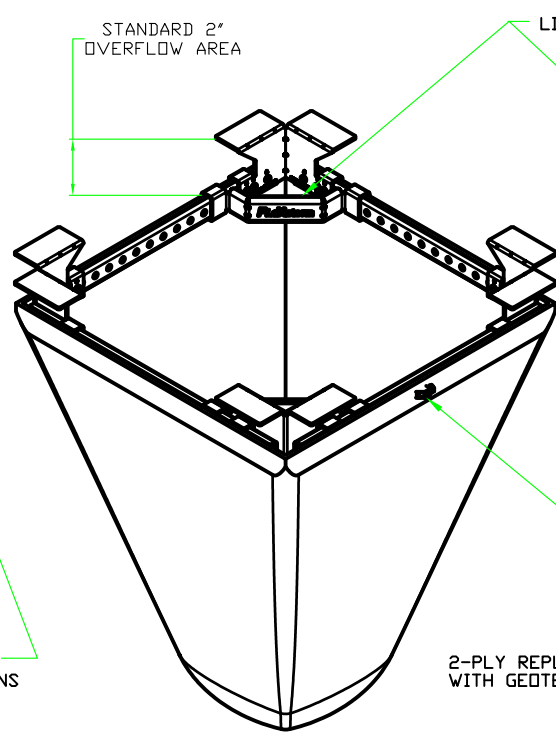
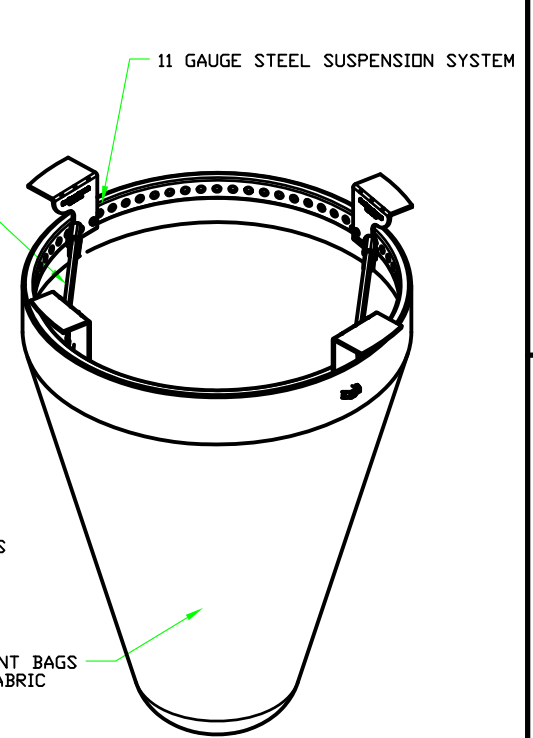


TYPICAL CURB BOX INLET FILTER

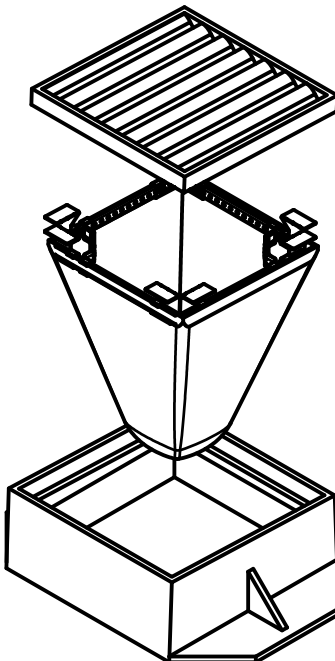


TYPICAL FLAT/RECTANGULAR/ROLLED CURB INLET FILTER

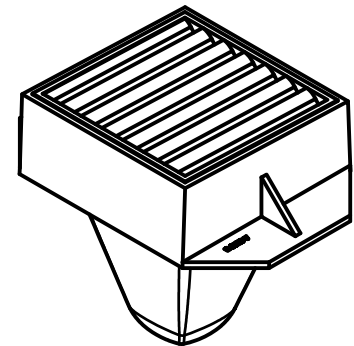


TYPICAL ROUND INLET FILTER

| IDOT Inlet Filter Specifications | | |
|---|-------------|--|
| Material Property | Test Method | Value (min ave) |
| > NonWoven Geotextile Inner Filter Bag Specs (2 ft³ min vol) | | |
| Grab Tensile | ASTM D 4632 | 100 lbs |
| Puncture Strength | ASTM D 4833 | 65lbs |
| Trapezoidal Tear | ASTM D 4533 | 45 lbs |
| UV Resistance | ASTM D 4355 | 70% at 500 hrs |
| App Open Size (AOS) | ASTM D 4751 | 70 sieve (.212 mm) |
| Permittivity | ASTM D 4491 | 2.0/sec |
| Water Flow Rate | ASTM D 4491 | 145 gpm/sqft |
| > Polyester Outer Reinforcement Bag Specifications | | |
| Weight | ASTM D 3776 | 4.55 oz/sqyd +/- 15% |
| Thickness | ASTM D 1777 | .040 +/- .005 |
| > Frame Construction | | |
| A36 Structural Steel; 11 Guage; Zinc Plated | ASTM A 576 | Tensile Strength > 58,000 psi; Yield Strength > 36,000 psi |



- INSTALLATION:**
1. REMOVE GRATE
 2. DROP FLEXSTORM INLET FILTER ONTO LOAD BEARING LIP OF CASTING OR CONCRETE STRUCTURE
 3. REPLACE GRATE



| | | | | |
|-------------------|--|--|-------------------------------|--------------|
| DRAWN ANDRIANO | | ALL PRODUCTS MANUFACTURED BY INLET & PIPE PROTECTION, INC 24137 111th St Naperville, IL www.INLETFILTERS.COM | | |
| CHECKED | | (630) 355-3288 PH (630) 355-3477 FX INFO@INLETFILTERS.COM | | |
| QA | | SIZE C | DWG NO IPP_FLEXSTORM_SPECS | REV |
| MFG | | SCALE | | |
| APPROVED | | | | |
| | | | | SHEET 1 OF 1 |