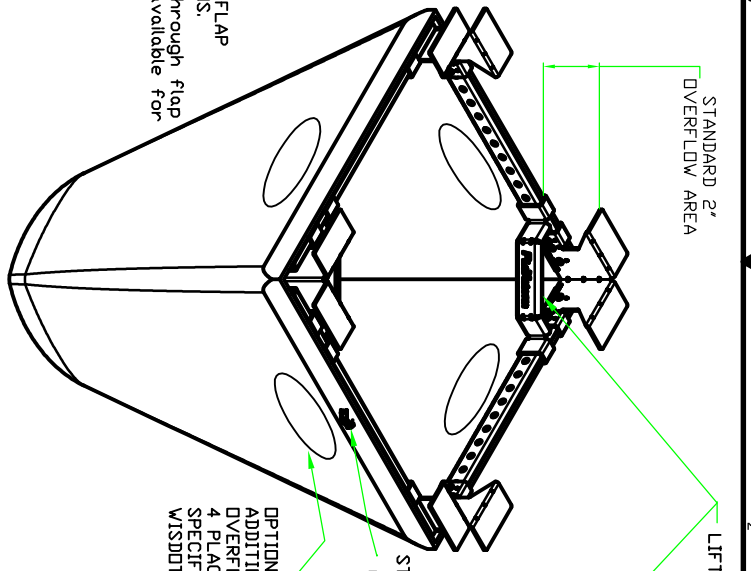
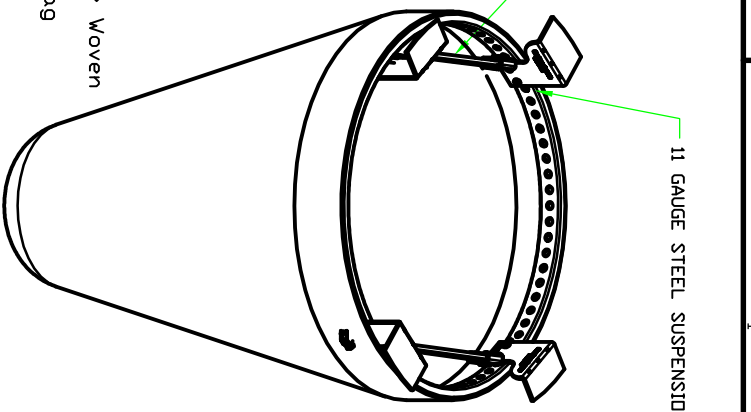


TYPICAL CURB BOX
INLET FILTER (Type C with Curb Box)



TYPICAL FLAT/RECTANGULAR/ROLLED CURB
INLET FILTER (Types A, B, C, & D)



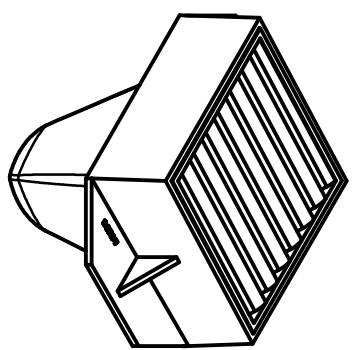
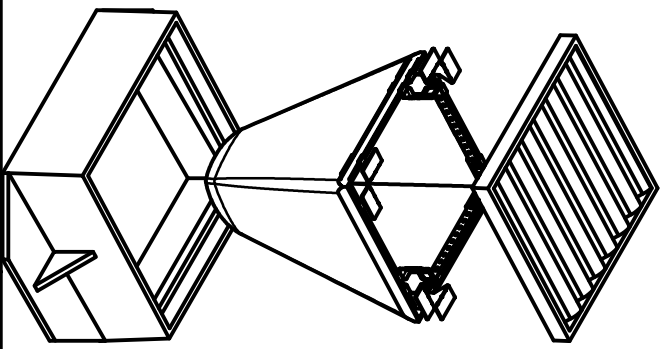
TYPICAL ROUND
INLET FILTER

2-PLY REAR CURB GUARD FLAP
WITH MAGNETIC TIE-DOWNS.
Note: Can slide 2 x 4 through flap
if iron curb back not available for
magnets.

OPTIONAL 4' X 6'
ADDITIONAL
OVERFLOW HOLES IN
4 PLACES AS
SPECIFIED BY
WISDOT

Replaceable Woven
Geotextile
Sediment Bag

- Materials:**
1. Framing - 11 gauge steel; corrosion resistant
 2. Sediment Bag - Woven Geotextile (Type FF or approved alternate); 2 cubic ft typ volume; Stainless Steel locking band securing bag to frame



- INSTALLATION:**
1. REMOVE GRATE
 2. DROP FLEXSTORM INLET FILTER ONTO LOAD BEARING LIP OF CASTING OR CONCRETE STRUCTURE
 3. REPLACE GRATE

DRAWN	JR	ALL PRODUCTS MANUFACTURED BY INLET & PIPE PROTECTION, INC
CHECKED		24137 W. 111th St, Naperville, IL
QA		WWW.INLETFILTERS.COM
MFG		(866) 287-8655 PH
APPROVED		(630) 355-3477 FX
		INFO@INLETFILTERS.COM
SIZE	C	WISDOT_INLET_FILTERS
SCALE		REV

