

4

3

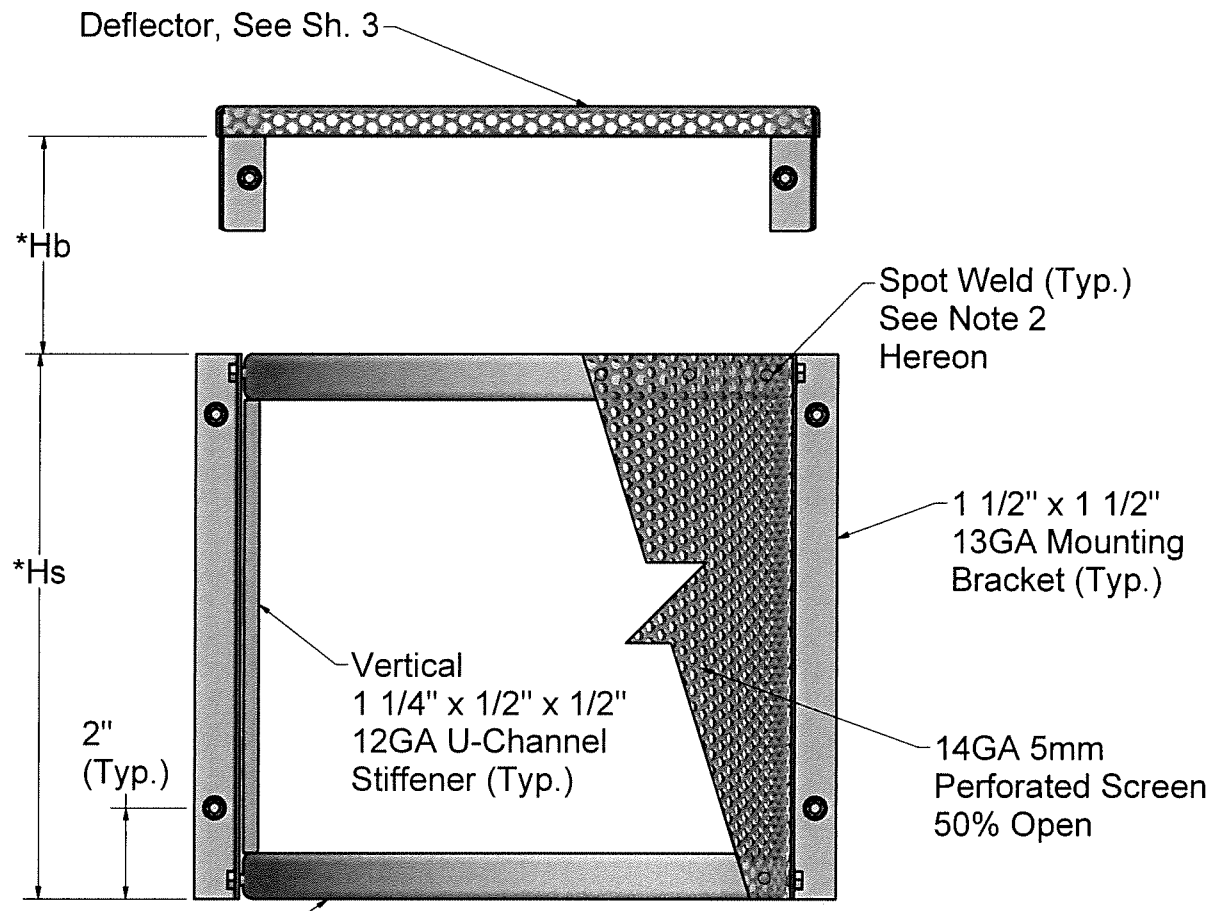
2

1

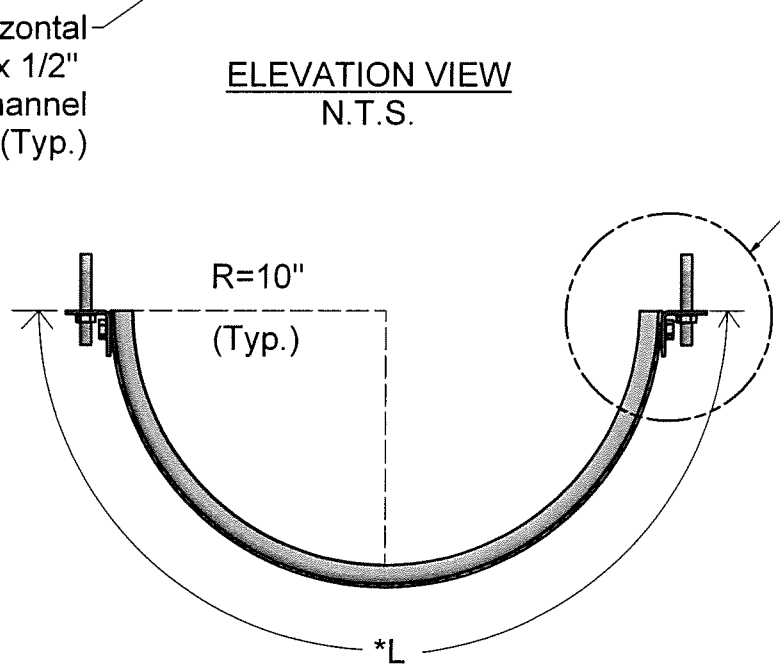
NOTES:

- 1. All Materials Are Type 304SS Unless Otherwise Noted
- 2. All Horizontal And Vertical Stiffeners Shall Be Spot Welded @ 4"C.C. (Max) To Perforated Screen
- 3. For Catch Basin Uneven Floor Extension Panel Detail See Sh. 3

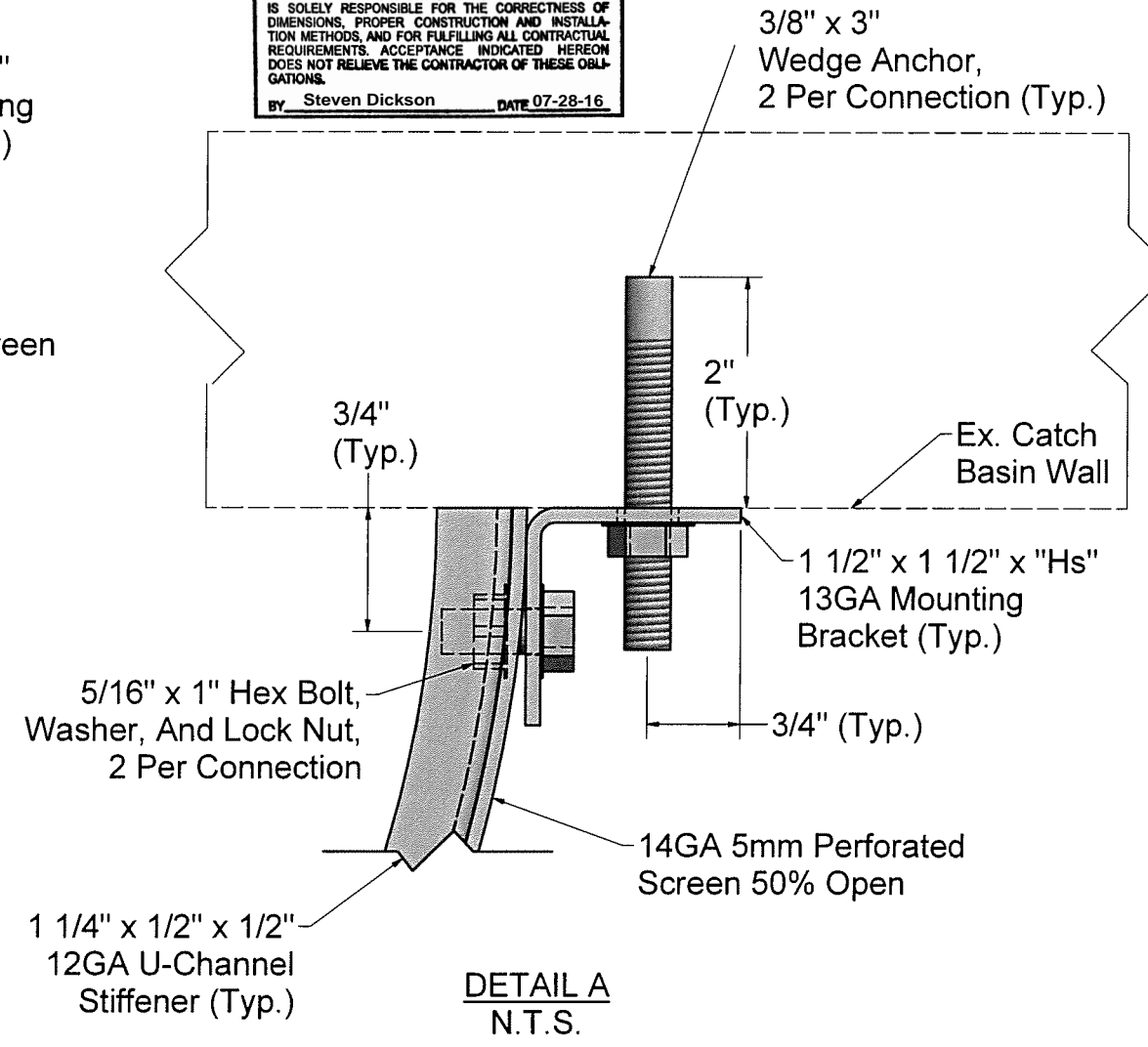
LOS ANGELES COUNTY DEPARTMENT OF PUBLIC WORKS	
<input checked="" type="checkbox"/>	ACCEPTED
<input type="checkbox"/>	MAKE CORRECTIONS NOTED
<input type="checkbox"/>	REVISE CALCULATIONS
<input type="checkbox"/>	REJECTED
REVIEW IS PERFORMED BY THE DEPARTMENT TO ENSURE THE CONTRACTOR'S GENERAL CONFORMANCE WITH THE DESIGN CONCEPT OF THE PROJECT AND GENERAL COMPLIANCE WITH THE SPECIFICATIONS. THE CONTRACTOR IS SOLELY RESPONSIBLE FOR THE CORRECTNESS OF DIMENSIONS, PROPER CONSTRUCTION AND INSTALLATION METHODS, AND FOR FULFILLING ALL CONTRACTUAL REQUIREMENTS. ACCEPTANCE INDICATED HEREON DOES NOT RELIEVE THE CONTRACTOR OF THESE OBLIGATIONS.	
BY: Steven Dickson	DATE: 07-28-16



ELEVATION VIEW
N.T.S.



PLAN VIEW
N.T.S.



DETAIL A
N.T.S.

*See Appendix A-1 And CPS Sizing Table For Hb, Hs, And L Values

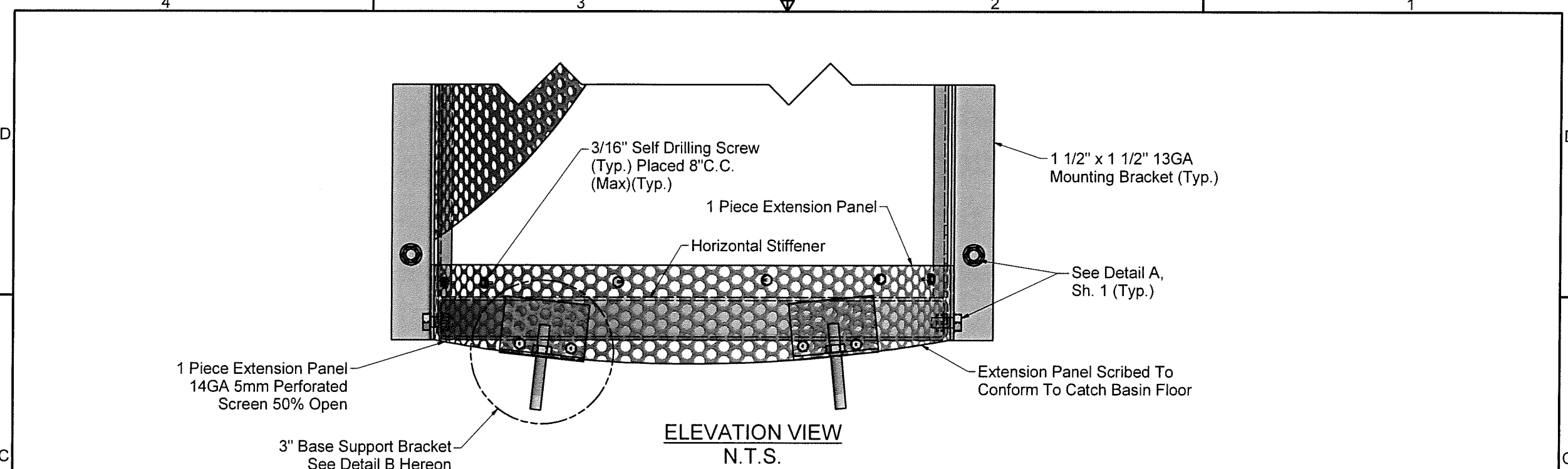
ADS FLEXSTORM CPS U		
TITLE PLAN, ELEVATION, AND DETAIL		
SIZE C	DATE 7/25/2016	REV A
SHEET 1 OF 3		

4

3

2

1

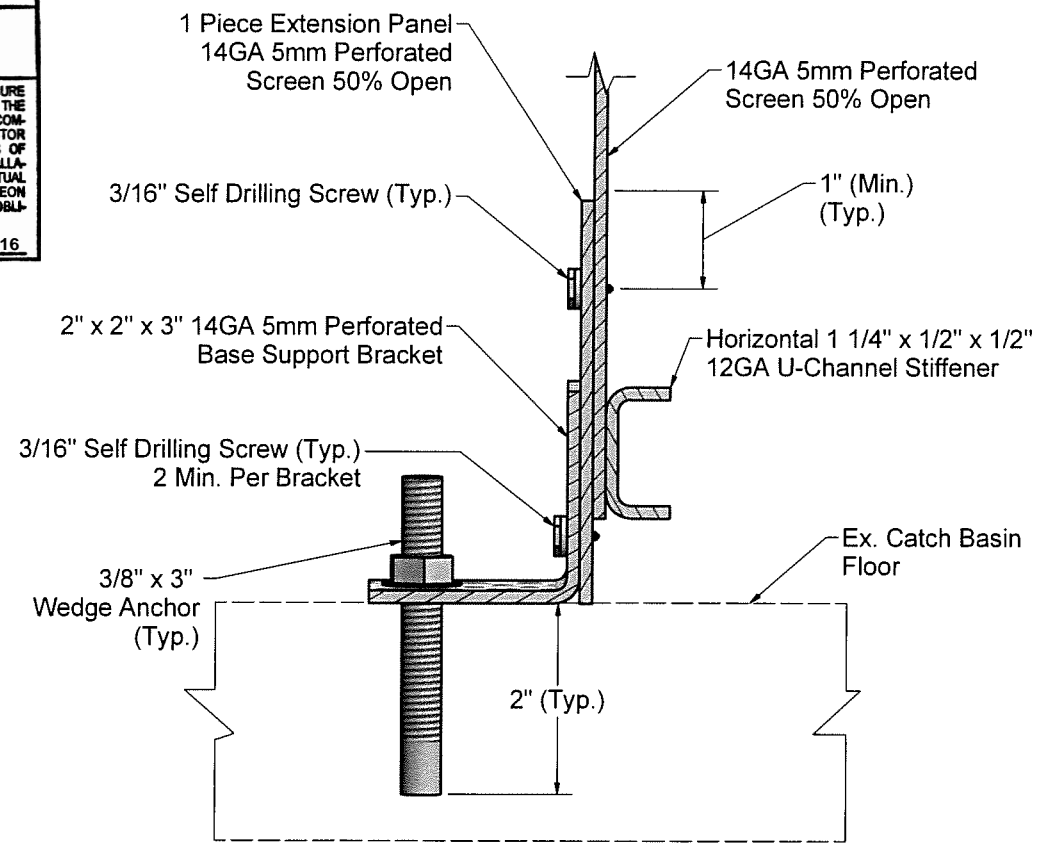
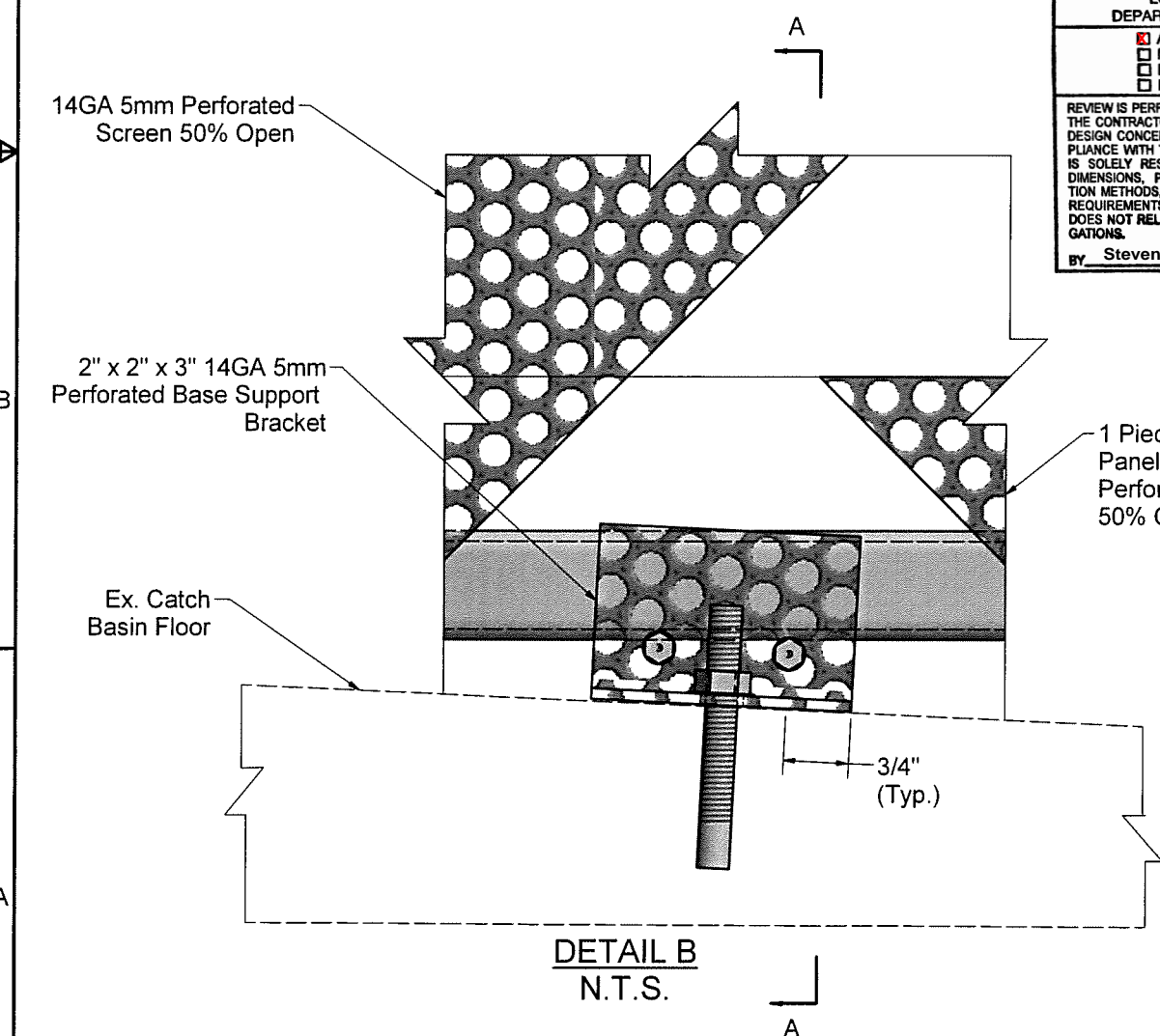


LOS ANGELES COUNTY
DEPARTMENT OF PUBLIC WORKS

ACCEPTED
 MAKE CORRECTIONS NOTED
 REVISE CALCULATIONS
 REJECTED

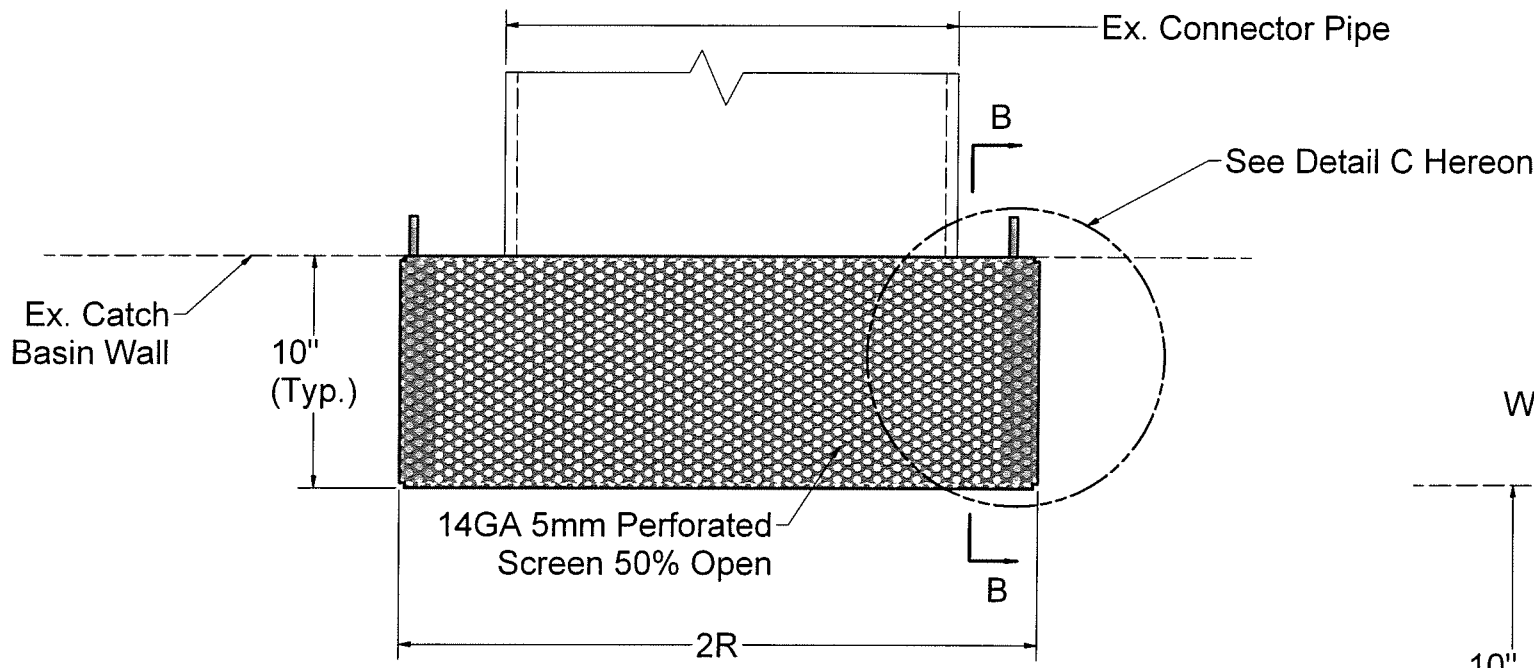
REVIEW IS PERFORMED BY THE DEPARTMENT TO ENSURE THE CONTRACTOR'S GENERAL CONFORMANCE WITH THE DESIGN CONCEPT OF THE PROJECT AND GENERAL COMPLIANCE WITH THE SPECIFICATIONS. THE CONTRACTOR IS SOLELY RESPONSIBLE FOR THE CORRECTNESS OF DIMENSIONS, PROPER CONSTRUCTION AND INSTALLATION METHODS, AND FOR FULFILLING ALL CONTRACTUAL REQUIREMENTS. ACCEPTANCE INDICATED HEREON DOES NOT RELIEVE THE CONTRACTOR OF THESE OBLIGATIONS.

BY Steven Dickson DATE 07-28-16

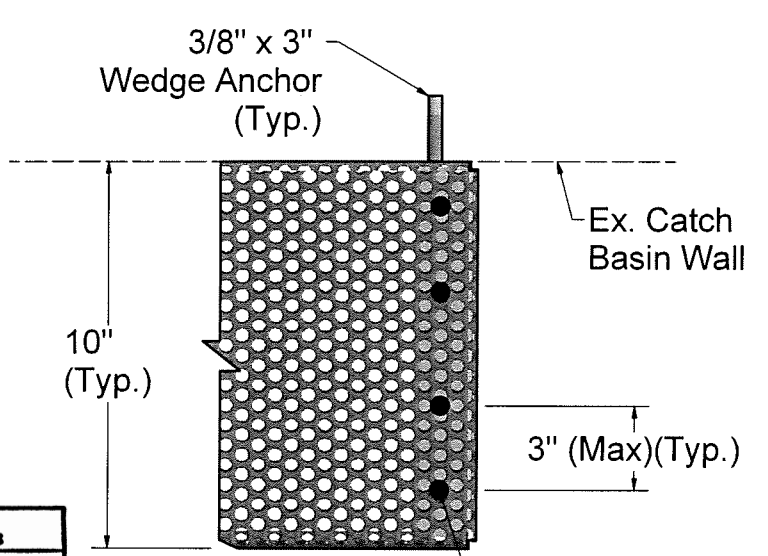


TITLE		
ADS FLEXSTORM CPS U		
EXTENSION PANEL DETAILS		
SIZE	DATE	REV
C	7/25/2016	A
SHEET		2 OF 3

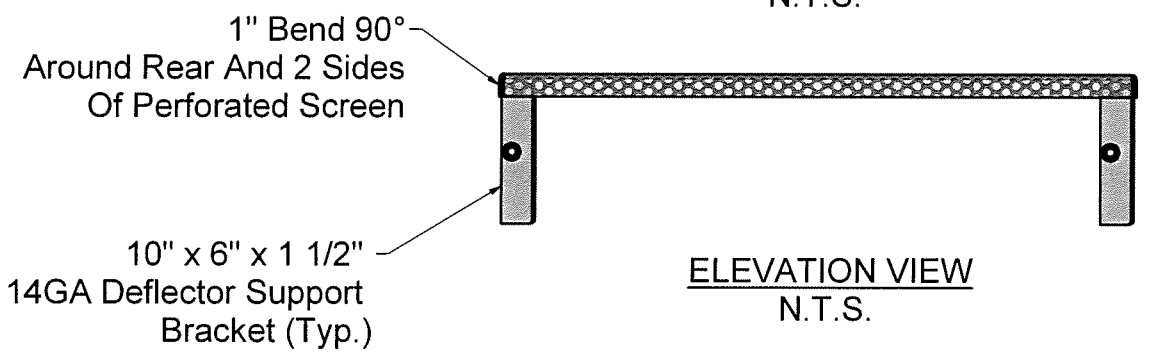
4 3 2 1



PLAN VIEW
N.T.S.



DETAIL C
N.T.S.



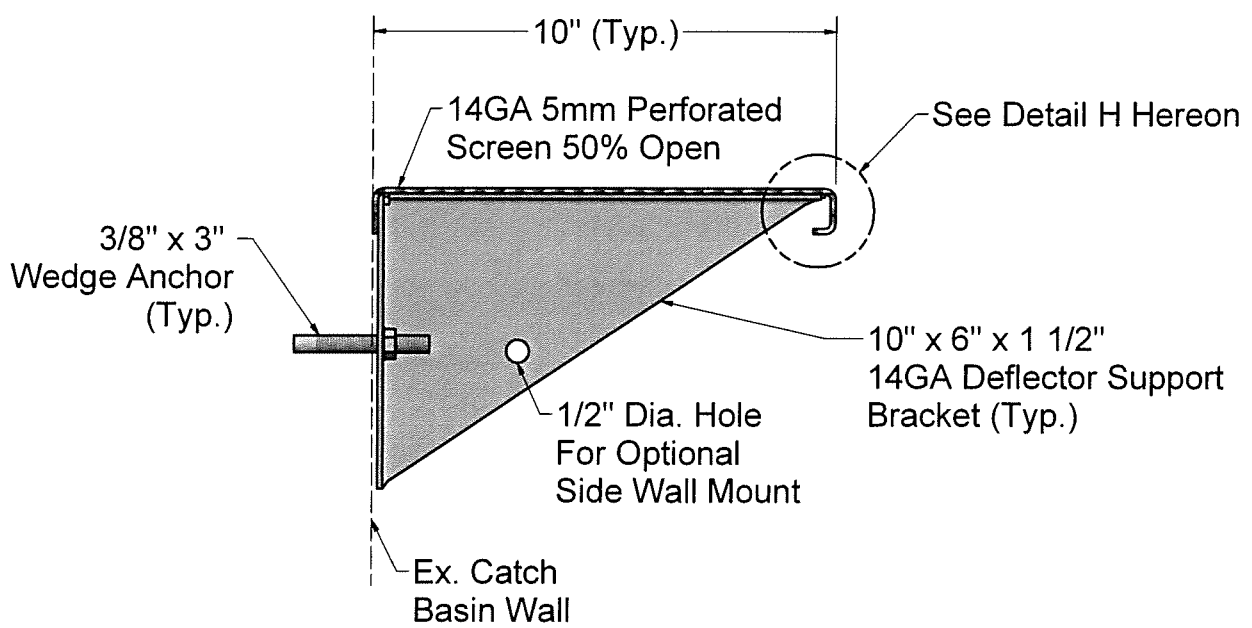
ELEVATION VIEW
N.T.S.

LOS ANGELES COUNTY
DEPARTMENT OF PUBLIC WORKS

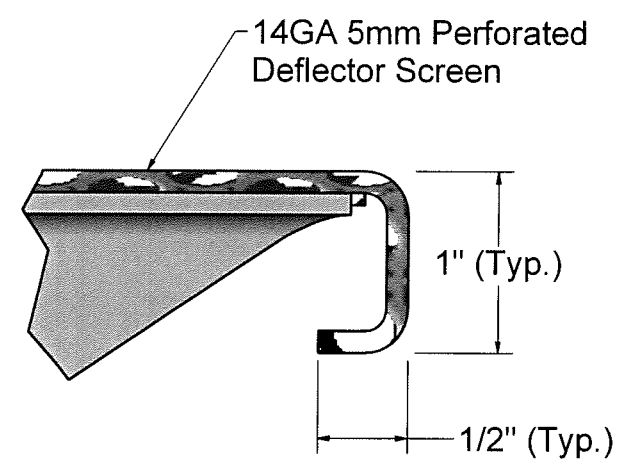
ACCEPTED
 MAKE CORRECTIONS NOTED
 REVISE CALCULATIONS
 REJECTED

REVIEW IS PERFORMED BY THE DEPARTMENT TO ENSURE THE CONTRACTOR'S GENERAL CONFORMANCE WITH THE DESIGN CONCEPT OF THE PROJECT AND GENERAL COMPLIANCE WITH THE SPECIFICATIONS. THE CONTRACTOR IS SOLELY RESPONSIBLE FOR THE CORRECTNESS OF DIMENSIONS, PROPER CONSTRUCTION AND INSTALLATION METHODS, AND FOR FULFILLING ALL CONTRACTUAL REQUIREMENTS. ACCEPTANCE INDICATED HEREON DOES NOT RELIEVE THE CONTRACTOR OF THESE OBLIGATIONS.

BY: Steven Dickson DATE: 07-28-16



SECTION B-B
N.T.S.



DETAIL D
N.T.S.

ADS FLEXSTORM CPS U		
DEFLECTOR DETAIL		
SIZE C	DATE 7/27/2016	REV A
		SHEET 3 OF 3

4 3 2 1

APPENDIX U: ADS FLEXSTOM CPS SELECTION GUIDE

ADS CPS Model #	LSCREEN (ft)	HSCREEN (in)	H BYPASS (in)	H (depth of water to centroid of bypass)	G (min distance from flow line to top of lid)	V-DEPTH	Q BYPASS (CFS)
3L8H-8BU	3	8	8	8	4	2.5	7.9
3L8H-13BU	3	8	13	20	13	3.5	19.9
3L8H-16BU	3	8	16	30	22	4.5	30.5
3L9H-9BU	3	9	9	15	10	3	11.9
3L10H-8BU	3	10	8	9	4	2.7	10.4
3L11H-9BU	3	11	9	9	4	2.8	9.1
3L11H-13BU	3	11	13	23	16	4	21.4
3L12H-8BU	3	12	8	10	4	2.8	13.2
3L12H-8BU	3	12	8	12	6	3	14.4
3L12H-10BU	3	12	10	9	4	3	10.4
3L12H-10BU	3	12	10	17	12	3.5	14.3
3L12H-16BU	3	12	16	26	18	4	28.3
3L12H-16BU	3	12	16	32	24	4.5	31.5
3L16H-12BU	3	16	12	10	4	3.5	13.2
3L16H-12BU	3	16	12	18	12	12	17.7
3L18H-8BU	3	18	8	15	6	3.5	24.2
3L18H-10BU	3	18	10	17	12	4	14.3
3L18H-16BU	3	18	16	12	4	4	19.3
3L18H-16BU	3	18	16	18	10	4.5	23.6
3L20H-12BU	3	20	12	12	6	4	14.4
3L22H-12BU	3	22	12	18	12	4.5	17.7
3L24H-12BU	3	24	12	14	8	4.5	15.6
3L24H-16BU	3	24	16	18	10	5	23.6
4L8H-8BU	4	8	8	8	4	2.5	10.5
4L9H-9BU	4	9	9	15	10	3	15.9
4L9H-14BU	4	9	14	18	11	3.5	27.5
4L10H-8BU	4	10	8	9	4	2.7	13.9
4L10H-8BU	4	10	8	15	10	3	17.9
4L11H-16BU	4	11	16	21	13	4	34
4L12H-8BU	4	12	8	10	4	2.8	17.6
4L12H-8BU	4	12	8	12	6	3	19.3
4L12H-10BU	4	12	10	17	12	3.5	19.1
4L15H-12BU	4	15	12	19	13	4	24.2
4L15H-18BU	4	15	18	22	13	4.5	39.1
4L16H-12BU	4	16	12	18	12	12	23.6
4L10H-8BU	4	18	8	15	6	3.5	32.3
4L18H-10BU	4	18	10	17	12	4	19.1
4L18H-12BU	4	18	12	22	16	4.5	26.1
4L18H-16BU	4	18	16	12	4	4	25.7
4L18H-16BU	4	18	16	18	10	4.5	31.5
4L18H-18BU	4	18	18	25	16	5	41.7
4L20H-12BU	4	20	12	12	6	4	19.3
4L22H-12BU	4	22	12	18	12	4.5	23.6
4L24H-12BU	4	24	12	14	8	4.5	20.8
4L24H-16BU	4	24	16	18	10	5	31.5
5L8H-13BU	5	8	13	20	13	3.5	33.2
5L9H-9BU	5	9	9	15	10	3	19.8

APPENDIX U: ADS FLEXSTOM CPS SELECTION GUIDE

ADS CPS Model #	LSCREEN (ft)	HSCREEN (in)	H BYPASS (in)	H (depth of water to centroid of bypass)	G (min distance from flow line to top of lid)	V-DEPTH	Q BYPASS (CFS)
5L10H-8BU	5	10	8	15	10	3	22.4
5L10H-16BU	5	10	16	28	20	4.5	49
5L11H-13BU	5	11	13	23	16	4	35.7
5L12H-10BU	5	12	10	9	4	3	17.4
5L12H-10BU	5	12	10	17	12	3.5	23.9
5L12H-16BU	5	12	16	32	24	5	52.4
5L14H-14BU	5	14	14	25	18	4.5	40.5
5L15H-12BU	5	15	12	19	13	4	30.3
5L15H-18BU	5	15	18	22	13	4.5	48.9
5L16H-12BU	5	16	12	10	4	3.5	22
5L16H-12BU	5	16	12	18	12	12	29.5
5L18H-10BU	5	18	10	17	12	4	23.9
5L18H-12BU	5	18	12	22	16	4.5	32.6
5L18H-18BU	5	18	18	25	16	5	52.1
5L22H-12BU	5	22	12	18	12	4.5	29.5