

FLEXSTORM CATCH-IT FILTERS FOR TEMPORARY INLET PROTECTION

PRODUCT SELECTION AND SPECIFICATION DRAWING

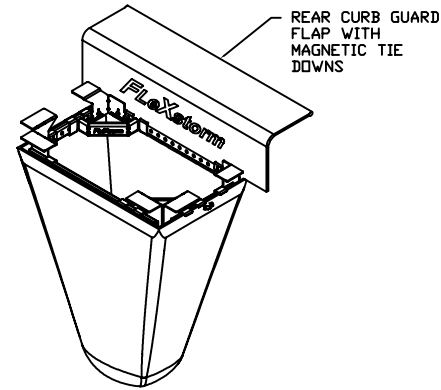
11 GA GALVANIZED STEEL SUSPENSION SYSTEM

LIFT HANDLES

STANDARD 2" OVERFLOW AREA

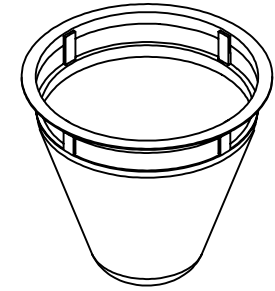
STAINLESS STEEL CLAMPING BAND

REPLACEABLE SEDIMENT BAGS WITH GEOTEXTILE FILTER FABRIC



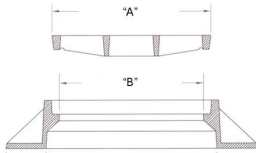
REAR CURB GUARD FLAP WITH MAGNETIC TIE DOWNS

COMBINATION INLET FILTER FOR CURB HOODS

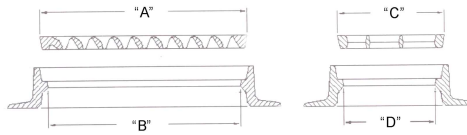


STAINLESS STEEL ROUND INLET FILTERS for NYLOPLAST CASTINGS CATCH-ITS SPECIFIED W/ FX or FX-S BAGS

TYPICAL ROUND INLET FILTER



TYPICAL RECTANGULAR INLET FILTER



NOTES:

- ALL FRAMING IS CONSTRUCTED OF CORROSION RESISTANT STEEL (ZINC PLATED OR GALVANIZED) FOR 7 YEAR MINIMUM SERVICE LIFE.
- UPON ORDERING CONFIRMATION OF THE DOT CALLOUT, PRECAST OR CASTING MAKE AND MODEL, OR DETAILED DIMENSIONAL FORMS MUST BE PROVIDED TO CONFIGURE AND ASSEMBLE YOUR CUSTOMIZED FLEXSTORM INLET FILTER. PART NUMBER ALONE IS NOT SUFFICIENT.
- FOR WRITTEN SPECIFICATIONS AND MAINTENANCE GUIDELINES VISIT WWW.INLETFILTERS.COM

1. IDENTIFY YOUR FRAME STYLE AND SIZE		
STYLE	FRAME STYLE AND SIZE	Frame P/N:
ROUND	Small Round (up to 20.0" dia grates (A) dim)	62SRD
	Med Round (20.1" - 26.0" dia grates (A) up to 25" dia openings (B))	62MRD
	Large Round (26.1" - 32.0" dia grates (A) up to 30" openings (B))	62LRD
	XL Round (32.1" dia - 39" dia grates (A) up to 37" dia openings (B))	62XLRD
RECT/ SQUARE	Small Rect / Square (up to 16" (B) x 16" (D) openings or 64" perimeter)	62SSQ
	Med Rect / Square (up to 24" (B) x 24" (D) openings or 96" perimeter)	62MSQ
	Large Rect / Square (up to 36" (B) x 24" (D) openings or 120" perimeter)	62LSQ
	XL Rect / Square (side by side 2 pc set to fit up to 48" (B) x 36" (D) openings)	62XLSQ
COMBO INLETS	Small Rect / Square (ref Rect sizing; shipped with Magnetic Curb Flaps)	62SCB
	Med Rect / Square (ref Rect sizing; shipped with Magnetic Curb Flaps)	62MCB
	Large Rect / Square (ref Rect sizing; shipped with Magnetic Curb Flaps)	62LCB
	XL Rect / Square (ref Rect sizing; shipped with Magnetic Curb Flaps)	62XLCB
NYLOPLAST	12" diameter Nyloplast castings (Stainless Steel Framing standard)	6212NY
	15" diameter Nyloplast castings (Stainless Steel Framing standard)	6215NY
	18" diameter Nyloplast castings (Stainless Steel Framing standard)	6218NY
	24" diameter Nyloplast castings (Stainless Steel Framing standard)	6224NY
	30" diameter Nyloplast castings (Stainless Steel Framing standard)	6230NY

SPECIFICATIONS FOR STANDARD BAGS BY NOMINAL SIZE			
Nominal Bag Size	Solids Storage (CuFt)	Filtered Flow Rate at 50% Max (CFS)	
		FX (Woven)	IL (NonWoven)
Small	1.6	1.2	0.9
Medium	2.1	1.7	1.3
Large	3.8	2.7	1.9
XL	4.2	3.6	2.6

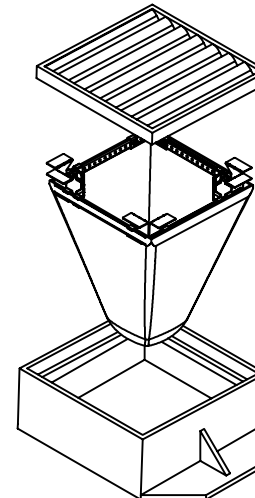
2. SELECT YOUR BAG PART NUMBER				
FLEXSTORM FILTER BAGS	(22" depth) STD Bag P/N	(12" depth) Short Bag P/N	Clean Water Flow Rate (GPM/SqFt)	Min A.O.S. (US Sieve)
FX: Standard Woven Bag	FX	FX-S	200	40
IL: IDOT Non-Woven Bag	IL	IL-S	145	70

3. CREATE YOUR FLEXSTORM INLET FILTER PART NUMBER

Frame P/N from Step 1. Filter Bag P/N from Step 2.

INSTALLATION:

- REMOVE GRATE
- DROP FLEXSTORM INLET FILTER ONTO LOAD BEARING LIP OF CASTING OR CONCRETE STRUCTURE
- REPLACE GRATE





CATCH IT

ALL PRODUCTS MANUFACTURED BY INLET & PIPE PROTECTION, INC A DIVISION OF ADS, INC. WWW.INLETFILTERS.COM (866) 287-8655 PH (630) 355-3477 FX INFO@INLETFILTERS.COM

SIZE	DWG NO	REV
C	FLEXSTORM_CATCH_IT	A
SCALE	SHEET 1 OF 1	