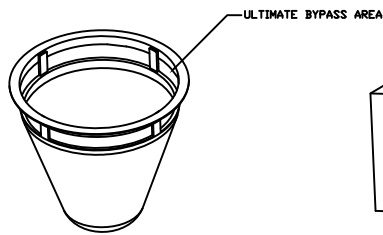
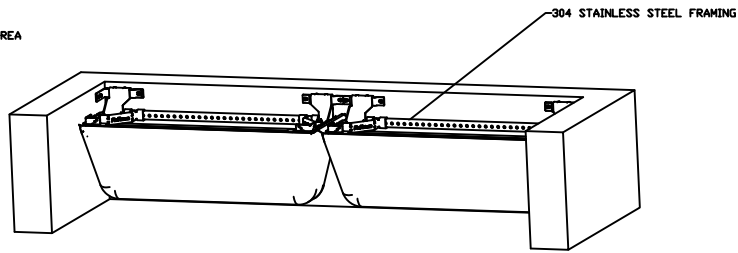


FLEXSTORM PURE FILTERS FOR PERMANENT INLET PROTECTION

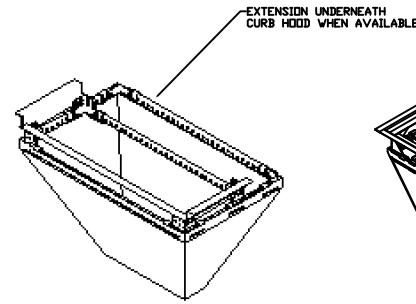
PRODUCT SELECTION AND SPECIFICATION DRAWING



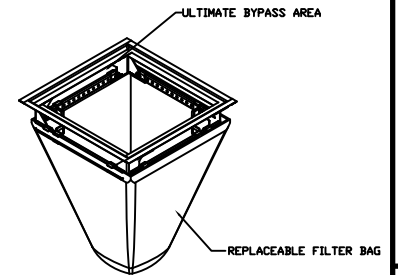
FLEXSTORM PURE INLET FILTERS FOR ROUND OPENINGS



FLEXSTORM PURE WALL MOUNT INLET FILTERS FOR OPEN THROAT GUTTERS



FLEXSTORM PURE INLET FILTERS FOR COMBINATION INLETS



FLEXSTORM PURE INLET FILTERS FOR RECTANGULAR OPENINGS WITH GRATES

For Round Openings with Grates		Minimum Bypass Flow Rates (CFS)* Based on Nominal Frame Size with minimum 2" Bypass flow gap
Drop Thru Opening Size Dia	Flexstorm Frame P/N	
Small: 10.0" - 18.0"	62SHDR	1.6
Medium: 18.1" - 24.0"	62MHDR	2.7
Large: 24.1" - 36.0"	62LHDR	3.8

For Open Throat Curb Inlets - Mounted to Wall Beneath Curb Opening	
Curb Opening Size	Flexstorm Frame P/N
Up to 4' curb openings (1 Filter)	62HDWM1
Between 4' and 8' curb openings (2 Filters)	62HDWM2
Between 8' and 12' curb openings (3 Filters)	62HDWM3
Between 12' and 16' curb openings (4 Filters)	62HDWM4

For Rectangular/Square Openings with Grates			Minimum Bypass Flow Rates (CFS)* Based on Nominal Frame Size with minimum 2" Bypass flow gap
Clear Drop Thru Opening Size (not grate or seat size)	Flexstorm Frame P/N	Combination P/N	
Small: 12" x 12" up to 16" x 16" (or 64" max perimeter)	62SHD	62SHDCB	2.4
Medium: 18" x 18" up to 24" x 24" (or 96" max perimeter)	62MHD	62MHDCB	3.5
Large: 26" x 26" up to 30" x 30" (or 120" max perimeter)	62LHD	62LHDCB	5.0
XL: 32" x 32" up to 48" x 48" (or 192" max perimeter) typ 2 pc set	62XLHD	62XLHDCB	7.2

CREATE YOUR ADS FLEXSTORM PART NUMBER BY COMBINING FRAME P/N AND BAG P/N

- IDENTIFY YOUR FLEXSTORM FRAME PART NUMBER FROM TABLES ABOVE
- SELECT YOUR BAG PART NUMBER BASED ON APPLICATION NEEDS

FLEXSTORM FILTER BAGS	(22" depth) STD Bag P/N	(12" depth) Short Bag P/N	Clean Water Flow Rate (GPM/SqFt)	Min A.O.S. (US Sieve)
FX: Standard Woven Bag	FX	FX-S	200	40
FX+: Woven w/ MyCelx	FXP	FXP-S	200	40
FXO: Woven w/ Oil Boom	FXO	FXO-S	200	40
PC: Post Construction Bag	PC	PC-S	137	140
PC+: PC Bag w/ MyCelx	PCP	PCP-S	137	140
LL: Litter and Leaf Bag	LL	LL-S	High	3.5
IL: IDOT Non-Woven Bag	IL	IL-S	145	70

SPECIFICATIONS FOR STANDARD BAGS BY NOMINAL BAG / FRAME SIZE

Nominal Bag Size Matched to Frame Size	Solids Storage (CuFt)	Filtered Flow Rate at 50% Max (CFS)	* PC Oil Retention (Oz)	**PC+ Oil Retention (Oz)	**FX+ Oil Retention (Oz)
Small	1.6	1.2	0.8	0.9	79
Medium	2.1	1.7	1.2	1.3	115
Large	3.8	2.7	1.8	1.9	173
XL	4.2	3.6	2.4	2.6	230
Filtration Efficiency	82%	NA	Large scale 3rd party testing per ASTM D 7351 using 7% concentration USDA Sandy Loam		
TSS (total suspended solids rem)	NA	99%	Large Scale testing at 90 GPM using US Silica OK-110 sand at 1750 mg/L measuring TSS per SM 2540D.		
TPH (tot petroleum hydrocarbons)	NA	96%	Large Scale testing at 90 GPM with used motor oil at 243 mg/L measuring per EPA Method 1664A.		

* PC filter bag at 50% max adsorption capacity

** PC filter bag at 50% capacity and MyCelx skimmer at 100% capacity

3. CREATE YOUR FLEXSTORM INLET FILTER PART NUMBER

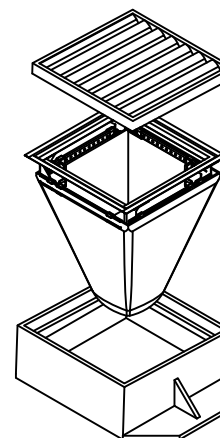
Frame P/N from Step 1.	Filter Bag P/N from Step 2.

NOTES:

- ALL FRAMING IS CONSTRUCTED OF 304 STAINLESS STEEL FOR 25 YEAR SERVICE LIFE RATING
- TOTAL BYPASS CAPACITY: BYPASS CAPACITY WILL VARY WITH EACH SIZE DRAINAGE STRUCTURE. FLEXSTORM DESIGNS FRAMING BYPASS TO MEET OR EXCEED THE DESIGN FLOW OF THE PARTICULAR DRAINAGE STRUCTURE.
- UPON ORDERING CONFIRMATION OF THE DOT CALLOUT, PRECAST OR CASTING MAKE AND MODEL, OR DETAILED DIMENSIONAL FORMS MUST BE PROVIDED TO CONFIGURE AND ASSEMBLE YOUR CUSTOMIZED FLEXSTORM INLET FILTER. PART NUMBER ALONE IS NOT SUFFICIENT.
- FOR WRITTEN SPECIFICATIONS AND MAINTENANCE GUIDELINES VISIT WWW.INLETFILTERS.COM

INSTALLATION:

- REMOVE GRATE
- DROP FLEXSTORM INLET FILTER ONTO LOAD BEARING LIP OF CASTING OR CONCRETE STRUCTURE
- REPLACE GRATE



ALL PRODUCTS MANUFACTURED BY INLET & PIPE PROTECTION, INC A DIVISION OF ADS, INC.
WWW.INLETFILTERS.COM
 (866) 287-8655 PH
 (630) 355-3477 FX
INFO@INLETFILTERS.COM

SIZE	DWG NO	REV
C	FLEXSTORM_PURE	A
SCALE	SHEET 1 OF 1	