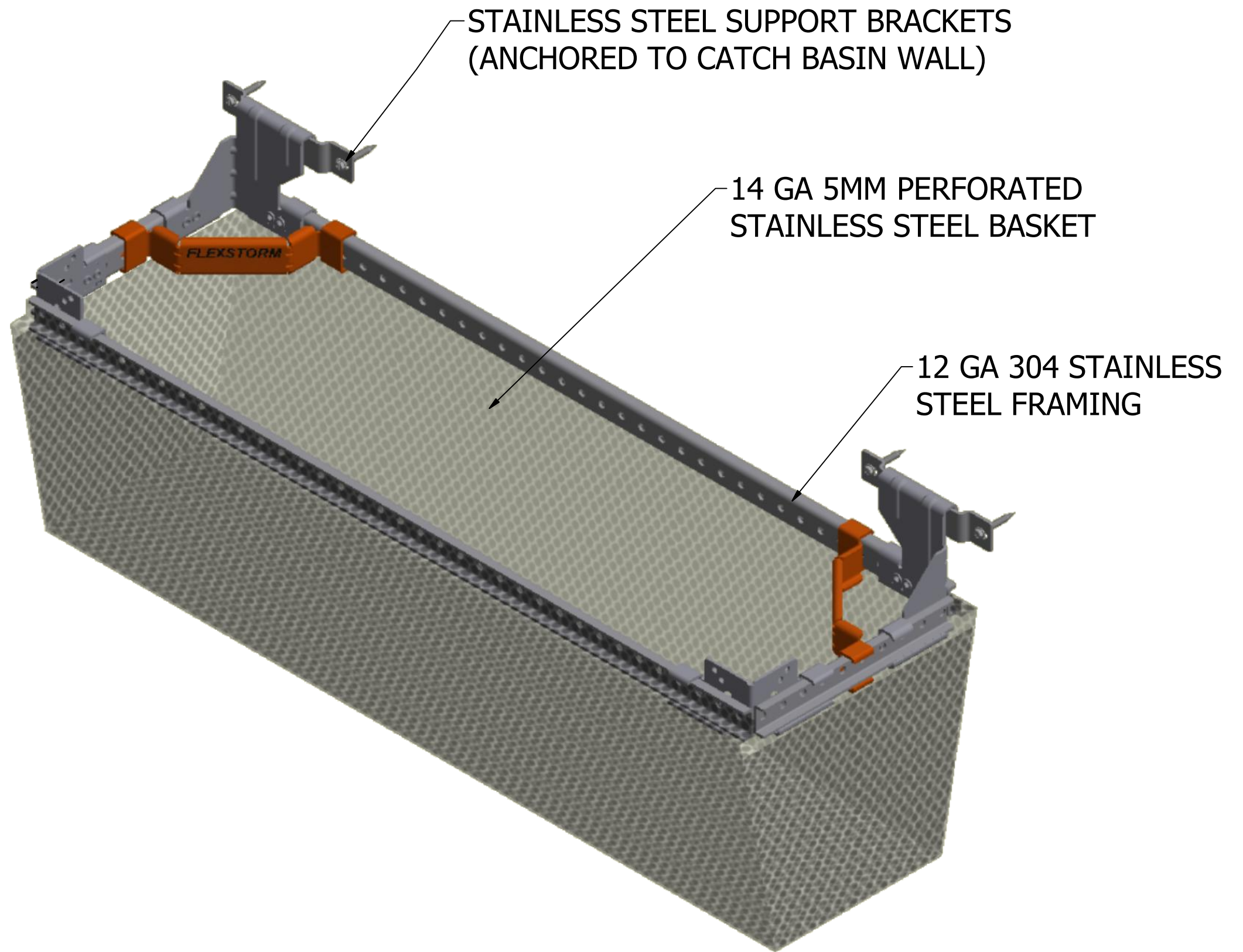
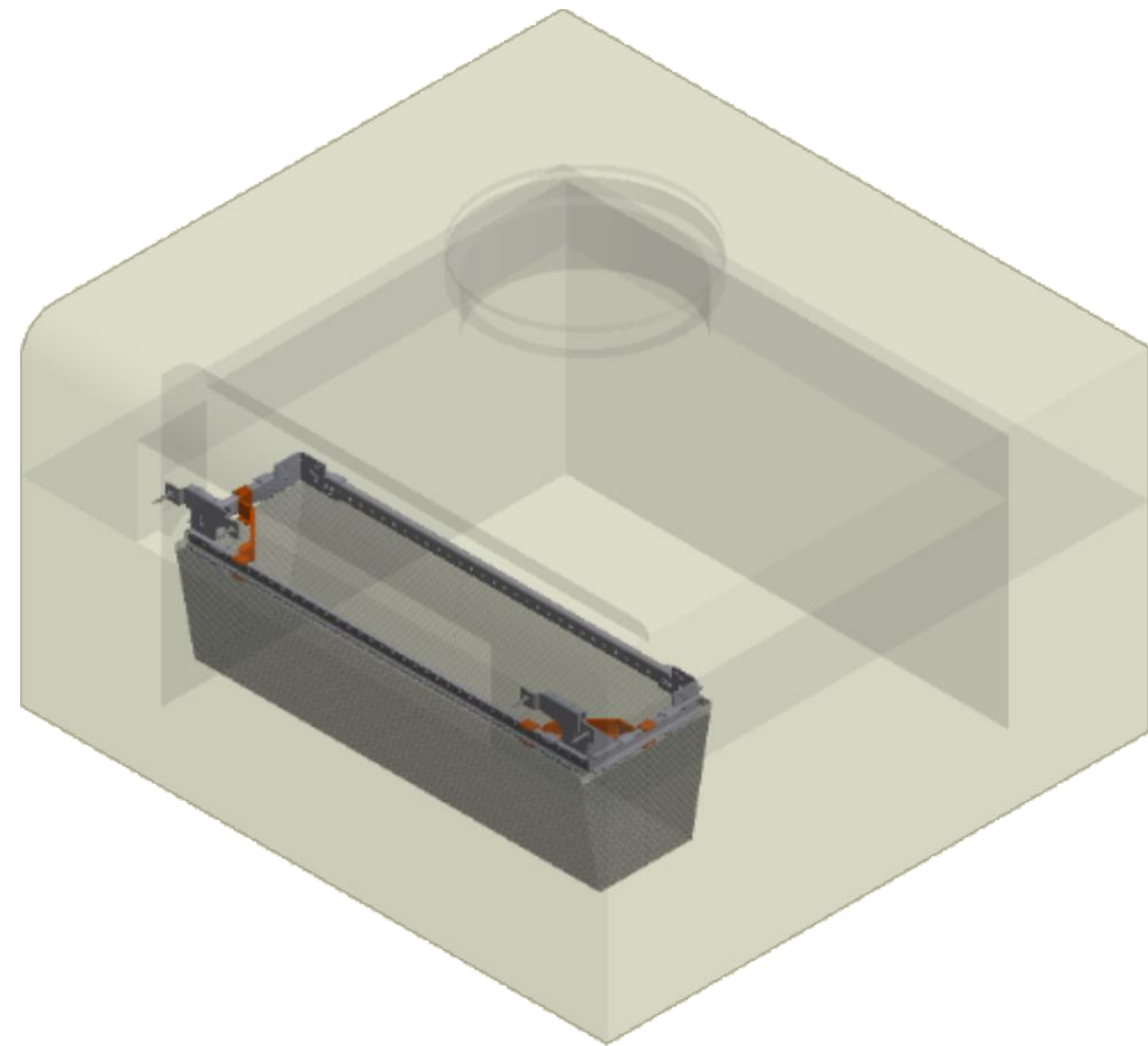


ADS-FLEXSTORM Full Trash Capture Inserts for Curb Inlets

D
C
B
A

D
C
B
A



INSTALLATION AND MAINTENANCE INSTRUCTIONS

1. ENTER MANHOLE OPENING WITH INLET FILTER AND MOUNTING HARDWARE
2. ALIGN FILTER FRAME WITH CURB OPENING AND MARK CENTERLINE OF EACH FRAME HANGER BRACKET
3. USING SUPPLIED WALL MOUNT BRACKETS, MARK LOCATION OF BRACKET SCREW HOLES SPACED 1" DOWN FROM TOP LEDGE OF CONCRETE.
4. USING HAMMER DRILL, DRILL HOLE TO RECOMMENDED DEPTH OF SPECIFIED FASTENER.
5. SECURE THE WALL MOUNT BRACKETS USING CONCRETE FASTENERS AND HANG THE FLEXSTORM INLET ASSEMBLY.
6. FOR MAINTENANCE SERVICE WITH TRUCK MOUNTED VACUUM.

FLEXSTORM Performance Specifications - Full Trash Capture					
ADS P/N	Curb Opening Width (in)	Basket Depth	Storage Volume (ft ³)	Flow Rate when Empty (CFS)*	Flow Rate when 50% Full (CFS)*
62HDWM36FTC	36	12"	2.7	17.8	6.7
62HDWM42FTC	42	12"	3.1	20.3	7.6
62HDWM48FTC	48	12"	3.6	22.8	8.5
62HDWM60FTC**	60	12"	4.5	27.9	10.3
62HDWM72FTC**	72	12"	5.4	33.0	12.1
62HDWM84FTC**	84	12"	6.3	37.6	13.7
62HDWM96FTC**	96	12"	7.2	42.7	15.5
62HDWM120FTC**	120	12"	8.9	52.4	18.9

* Calculated with .5' flowing water above centroid of ultimate bypass area

**Multiple filters of the same length placed side by side

TITLE ADS-FLEXSTORM FULL TRASH CAPTURE FOR OPEN THROAT INLETS			
SIZE	DWG NO	REV	
SCALE			

4 | 3 | 2 | 1