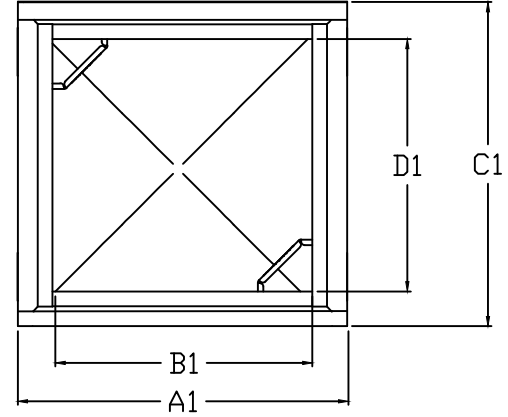
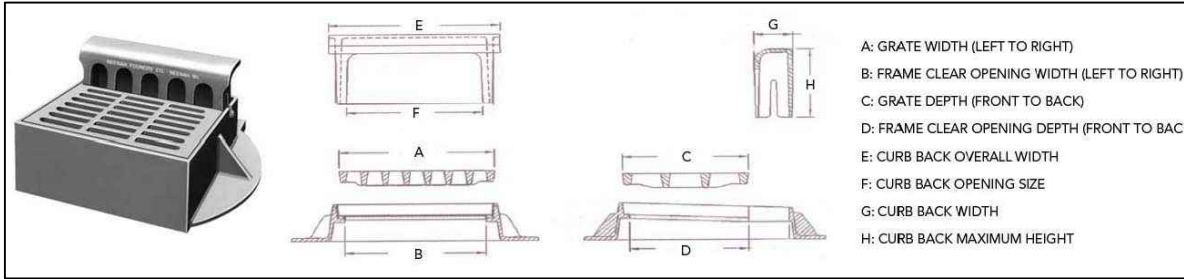
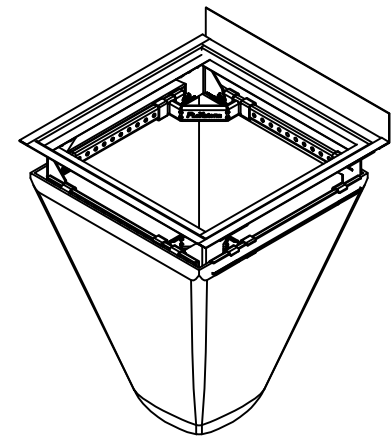
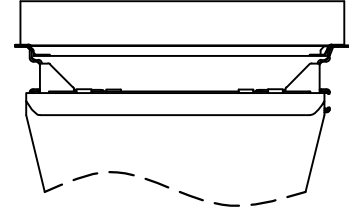


# FLEXSTORM P/Ns 62SHDFX & 62SHDFXP

SQCB INLET TYPE: RAISED CAST IRON FRAME AND GRATE WITH CURB HOOD AND DEFLECTOR PLATE



Pure Frame with FX Bag		Field Inlet Dimensions		Flexstorm Framing Dims				Flexstorm Ratings (Flow at 50% max)			Pure Frame with FX+ Bag	
ADS P/N	Flexstorm Item Code	Grate Size (A x C)	Clear Opening (B x D)	B1	D1	A1	C1	Bag Capacity (ft <sup>3</sup> )	FX/FX+ Flow Rate (CFS)	Total Bypass (CFS)	ADS P/N	Flexstorm Item Code
62SHDFX	P-SQCB-200-109-176-85-FX	20 x 10.875	17.6 x 8.5	16.5	7.5	20.0	10.6	0.8	1.0	2.6	62SHDFXP	P-SQCB-200-109-176-85-FXP
62SHDFX	P-SQCB-200-109-185-90-FX	20 x 10.9	18.5 x 9.0	16.5	8.0	20.0	10.7	0.8	2.1	2.6	62SHDFXP	P-SQCB-200-109-185-90-FXP



**NOTES:**

- RATINGS SHOWN ARE FOR STANDARD 22" BAG DEPTH; "SHORT" 12" DEPTH BAGS ARE AVAILABLE WITH -S SUFFIX; RATINGS REDUCED BY ~50%.
- THE FOLLOWING REQUIRES ADDITIONAL REVIEW
  - GRATES WITH EXTENDED BOTTOMS
  - ANY OBSTRUCTED INLET OPENINGS

**FLEXSTORM**  
INLET FILTERS  
**PURE**

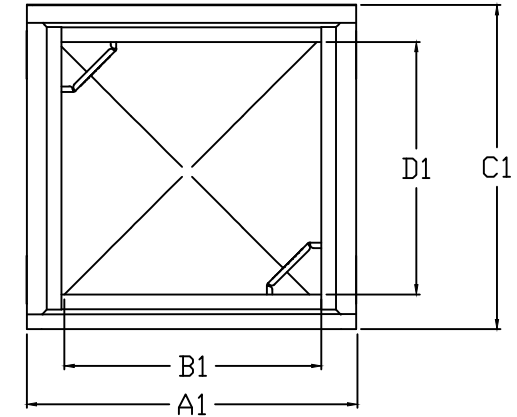
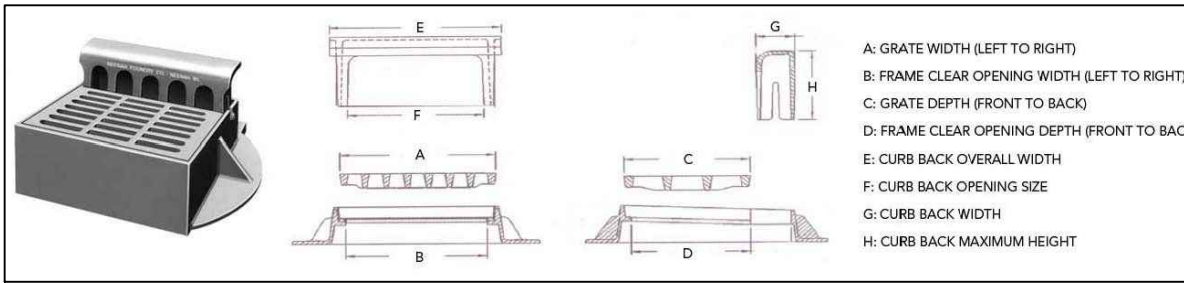
THIS PRINT RESOLVES SUBJECT MATTER IN WHICH FLEXSTORM HAS PROPRIETARY RIGHTS. THE RECEIPT OR POSSESSION OF THIS PRINT DOES NOT CONSTITUTE A TRANSFER, OR LICENSE THE USE OF THE DESIGN OR TECHNICAL INFORMATION SHOWN HEREIN. REPRODUCTION OF THIS PRINT OR ANY INFORMATION CONTAINED HEREIN, OR MANUFACTURE OF ANY ARTICLE HEREFROM, FOR THE RESOLUTION TO OTHERS IS FORBIDDEN, EXCEPT BY WRITTEN PERMISSION FROM FLEXSTORM. ©2013 ADS, INC.

ALL PRODUCTS MANUFACTURED BY INLET & PIPE PROTECTION, INC. A DIVISION OF ADS, INC.  
 WWW.INLETFILTERS.COM  
 (866) 287-8655 PH  
 (630) 355-3477 FX  
 INFO@INLETFILTERS.COM

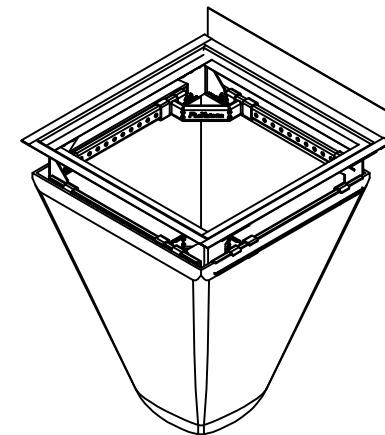
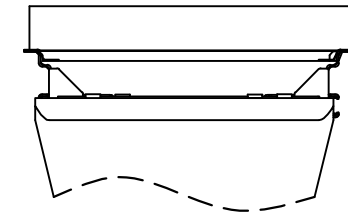
SIZE	FRAME TYPE	DWG NO	REV
C	HDCBD	SQCB-62SHD-FX	A
SCALE	SHEET 1 OF 1		

# FLEXSTORM P/Ns 62SHDFX & 62SHDFXP

SQCB INLET TYPE: RAISED CAST IRON FRAME AND GRATE WITH CURB HOOD AND DEFLECTOR PLATE



Pure Frame with PC Bag		Field Inlet Dimensions		Flexstorm Framing Dims				Flexstorm Ratings (Flow at 50% max)			PureFrame with PC+ Bag	
ADS P/N	Flexstorm Item Code	Grate Size (A x C)	Clear Opening (B x D)	B1	D1	A1	C1	Bag Capacity (ft <sup>3</sup> )	PC/PC+ Flow Rate (CFS)	Total Bypass (CFS)	ADS P/N	Flexstorm Item Code
62SHDFC	P-SQCB-200-109-176-85-PC	20 x 10.875	17.6 x 8.5	16.5	7.5	20.0	10.6	0.8	0.8	2.6	62SHDFCP	P-SQCB-200-109-176-85-PCP
62SHDFC	P-SQCB-200-109-185-90-PC	20 x 10.9	18.5 x 9.0	16.5	8.0	20.0	10.7	0.8	0.8	2.6	62SHDFCP	P-SQCB-200-109-185-90-PCP



## NOTES:

1. RATINGS SHOWN ARE FOR STANDARD 22" BAG DEPTH; "SHORT" 12" DEPTH BAGS ARE AVAILABLE WITH -S SUFFIX; RATINGS REDUCED BY ~50%.

2. THE FOLLOWING REQUIRES ADDITIONAL REVIEW

-GRATES WITH EXTENDED BOTTOMS

-ANY OBSTRUCTED INLET OPENINGS



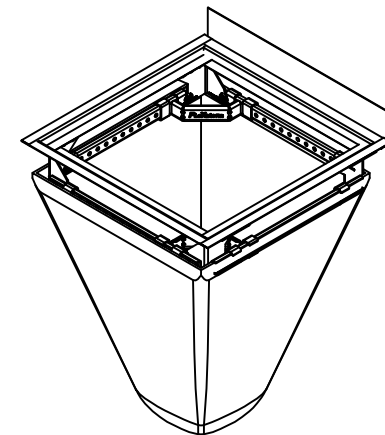
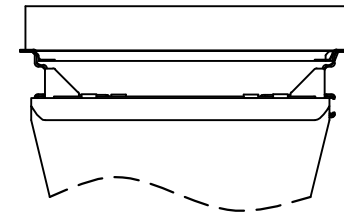
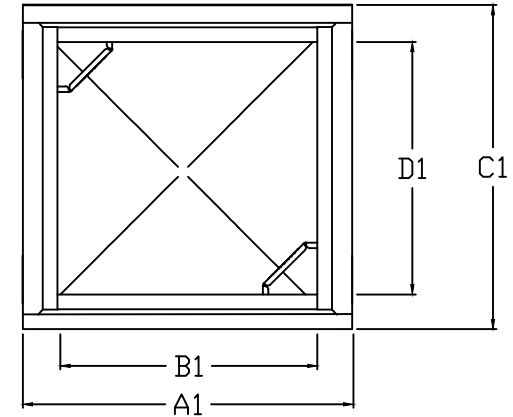
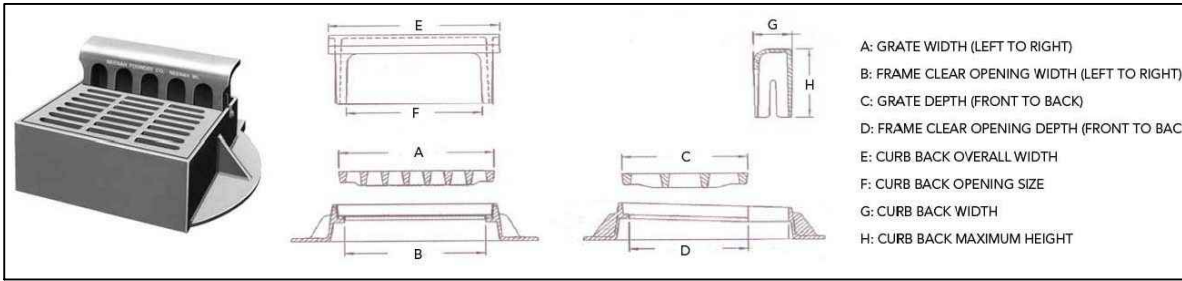
ALL PRODUCTS MANUFACTURED BY INLET & PIPE PROTECTION, INC. A DIVISION OF ADS, INC.  
 WWW.INLETFILTERS.COM  
 (866) 287-8655 PH  
 (630) 355-3477 FX  
 INFO@INLETFILTERS.COM

THIS PRINT RESOLVES SUBJECT MATTER IN WHICH FLEXSTORM HAS PROPRIETARY RIGHTS. THE RECEIPT OR POSSESSION OF THIS PRINT DOES NOT CONSTITUTE A TRANSFER, OR LICENSE THE USE OF THE DESIGN OR TECHNICAL INFORMATION SHOWN HEREIN. REPRODUCTION OF THIS PRINT OR ANY INFORMATION CONTAINED HEREIN, OR MANUFACTURE OF ANY ARTICLE HEREFROM, FOR THE RESOLUTION TO OTHERS IS FORBIDDEN, EXCEPT BY WRITTEN PERMISSION FROM FLEXSTORM. ©2013 ADS, INC.

SIZE	FRAME TYPE	DWG NO	REV
C	HDCBD	SQCB-62SHD-PC	A
SCALE	SHEET 1 OF 1		

# FLEXSTORM P/Ns 62MHDFX & 62MHDFXP

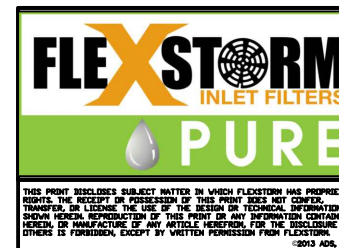
SQCB INLET TYPE: RAISED CAST IRON FRAME AND GRATE WITH CURB HOOD AND DEFLECTOR PLATE



Pure Frame with FX Bag		Field Inlet Dimensions		Flexstorm Framing Dims				Flexstorm Ratings (Flow at 50% max)			Pure Frame with FX+ Bag	
ADS P/N	Flexstorm Item Code	Grate Size (A x C)	Clear Opening (B x D)	B1	D1	A1	C1	Bag Capacity (ft <sup>3</sup> )	FX/FX+ Flow Rate (CFS)	Total Bypass (CFS)	ADS P/N	Flexstorm Item Code
62MHDFX	P-SQCB-200-170-180-145-FX	20 x 17	18 x 14.5	16.5	13.5	20.0	16.8	1.4	1.3	3.2	62MHDFXP	P-SQCB-200-170-180-145-FXP
62MHDFX	P-SQCB-199-170-180-150-FX	19.87 x 17	18 x 15	16.0	14.0	19.5	16.8	1.4	1.3	3.2	62MHDFXP	P-SQCB-199-170-180-150-FXP
62MHDFX	P-SQCB-200-170-180-150-FX	20 x 17	18 x 15	16.5	14.0	20.0	16.8	1.5	1.3	3.3	62MHDFXP	P-SQCB-200-170-180-150-FXP
62MHDFX	P-SQCB-200-170-180-150-FX	20 x 17	18 x 15.0	16.5	14.0	20.0	16.8	1.5	1.3	3.3	62MHDFXP	P-SQCB-200-170-180-150-FXP
62MHDFX	P-SQCB-200-170-180-155-FX	20 x 17	18 x 15.5	16.5	14.5	20.0	16.8	1.5	1.3	3.3	62MHDFXP	P-SQCB-200-170-180-155-FXP
62MHDFX	P-SQCB-200-220-180-270-FX	20 x 22	18 x 27	16.5	26.0	20.0	21.8	2.7	1.8	4.6	62MHDFXP	P-SQCB-200-220-180-270-FXP
62MHDFX	P-SQCB-216-156-197-126-FX	21.62 x 15.62	19.68 x 12.62	18.0	11.5	21.5	15.4	1.3	1.2	3.2	62MHDFXP	P-SQCB-216-156-197-126-FXP
62MHDFX	P-SQCB-216-156-197-135-FX	21.6 x 15.6	19.7 x 13.5	18.0	12.5	21.5	15.4	1.4	1.3	3.3	62MHDFXP	P-SQCB-216-156-197-135-FXP
62MHDFX	P-SQCB-217-175-195-140-FX	21.7 x 17.5	19.5 x 14.0	18.0	13.0	21.5	17.3	1.5	1.3	3.3	62MHDFXP	P-SQCB-217-175-195-140-FXP
62MHDFX	P-SQCB-214-170-194-150-FX	21.4 X 17	19.4 X 15	17.5	14.0	21.0	16.8	1.6	1.3	3.4	62MHDFXP	P-SQCB-214-170-194-150-FXP
62MHDFX	P-SQCB-213-170-195-155-FX	21.25 x 17	19.5 x 15.5	17.5	14.5	21.0	16.8	1.6	1.4	3.4	62MHDFXP	P-SQCB-213-170-195-155-FXP
62MHDFX	P-SQCB-214-170-194-160-FX	21.4 X 17	19.4 X 16.0	17.5	15.0	21.0	16.8	1.7	1.4	3.5	62MHDFXP	P-SQCB-214-170-194-160-FXP
62MHDFX	P-SQCB-214-170-193-218-FX	21.375 x 17	19.25X 21.75	17.5	21.0	21.0	16.8	2.3	1.6	4.1	62MHDFXP	P-SQCB-214-170-193-218-FXP
62MHDFX	P-SQCB-220-170-200-150-FX	22 x 17	20 x 15	18.5	14.0	22.0	16.8	1.6	1.4	3.5	62MHDFXP	P-SQCB-220-170-200-150-FXP
62MHDFX	P-SQCB-220-169-200-155-FX	22.0 x 16.9	20.0 x 15.5	18.5	14.5	22.0	16.7	1.7	1.4	3.6	62MHDFXP	P-SQCB-220-169-200-155-FXP
62MHDFX	P-SQCB-218-200-198-180-FX	21.75 x 20	19.75 x 18	18.0	17.0	21.5	19.8	1.9	1.5	3.8	62MHDFXP	P-SQCB-218-200-198-180-FXP
62MHDFX	P-SQCB-223-186-203-155-FX	22.25 x 18.6	20.25 x 15.5	18.5	14.5	22.0	18.4	1.7	1.4	3.6	62MHDFXP	P-SQCB-223-186-203-155-FXP
62MHDFX	P-SQCB-224-180-204-160-FX	22.375 x 18	20.375 x 16	18.5	15.0	22.0	17.8	1.8	1.4	3.6	62MHDFXP	P-SQCB-224-180-204-160-FXP
62MHDFX	P-SQCB-223-186-201-200-FX	22.25 x 18.62	20.125 x 20	18.5	19.0	22.0	18.4	2.2	1.6	4.0	62MHDFXP	P-SQCB-223-186-201-200-FXP
62MHDFX	P-SQCB-225-225-205-205-FX	22.5 x 22.5	20.5 x 20.5	19.0	19.5	22.5	22.3	2.4	1.6	4.1	62MHDFXP	P-SQCB-225-225-205-205-FXP
62MHDFX	P-SQCB-223-186-203-150-FX	22.25 x 18.62	20.25X 22.06	18.5	14.0	22.0	18.4	1.6	1.4	3.5	62MHDFXP	P-SQCB-223-186-203-150-FXP
62MHDFX	P-SQCB-225-180-208-229-FX	22.5x 18	20.75 X 22.87	19.0	22.0	22.5	17.8	2.7	1.7	4.4	62MHDFXP	P-SQCB-225-180-208-229-FXP
62MHDFX	P-SQCB-230-160-215-150-FX	23 X 16	21.5 X 15	19.5	14.0	23.0	15.8	1.7	1.4	3.6	62MHDFXP	P-SQCB-230-160-215-150-FXP

**NOTES:**

- RATINGS SHOWN ARE FOR STANDARD 22" BAG DEPTH; "SHORT" 12" DEPTH BAGS ARE AVAILABLE WITH -S SUFFIX; RATINGS REDUCED BY ~50%.
- THE FOLLOWING REQUIRES ADDITIONAL REVIEW
  - GRATES WITH EXTENDED BOTTOMS
  - ANY OBSTRUCTED INLET OPENINGS

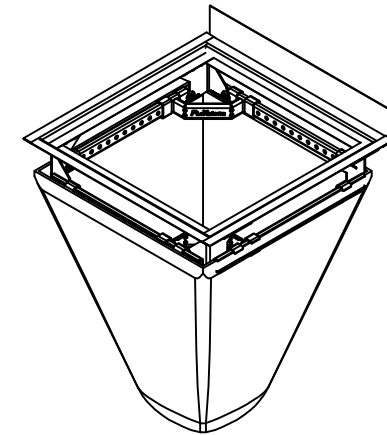
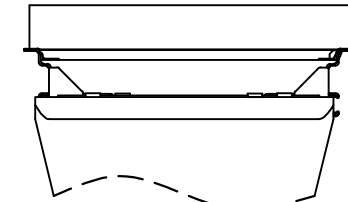
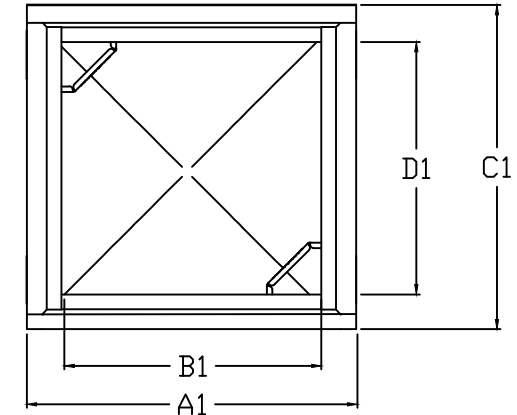
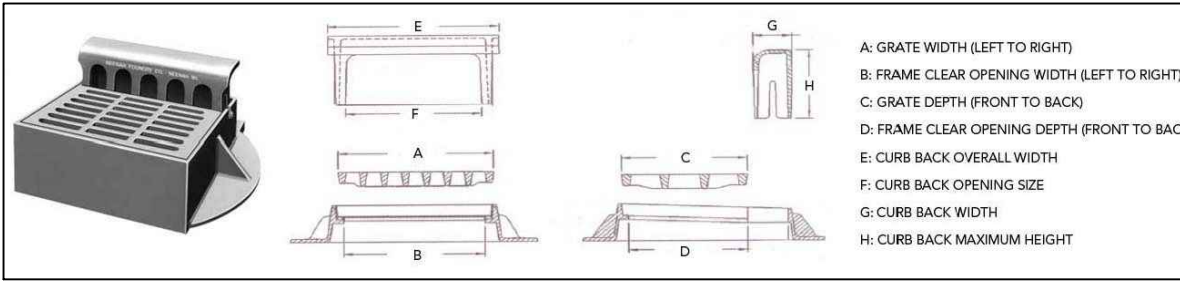


ALL PRODUCTS MANUFACTURED BY INLET & PIPE PROTECTION, INC A DIVISION OF ADS, INC.  
 WWW.INLETFILTERS.COM  
 (866) 287-8655 PH  
 (630) 355-3477 FX  
 INFO@INLETFILTERS.COM

SIZE	FRAME TYPE	DWG NO	REV
C	HDCBD	SQCB-62MHD-FX	A
SCALE	SHEET 1 OF 2		

# FLEXSTORM P/Ns 62MHDFX & 62MHDFXP

SQCB INLET TYPE: RAISED CAST IRON FRAME AND GRATE WITH CURB HOOD AND DEFLECTOR PLATE



Pure Frame with FX Bag		Field Inlet Dimensions		Flexstorm Framing Dims				Flexstorm Ratings (Flow at 50% max)			Pure Frame with FX+ Bag	
ADS P/N	Flexstorm Item Code	Grate Size (A x C)	Clear Opening (B x D)	B1	D1	A1	C1	Bag Capacity (ft³)	FX/FX+ Flow Rate (CFS)	Total Bypass (CFS)	ADS P/N	Flexstorm Item Code
62MHDFX	P-SQCB-239-239-220-220-FX	23.87 x 23.87	22 x 22	20.0	21.0	23.5	23.6	2.7	1.7	4.4	62MHDFXP	P-SQCB-239-239-220-220-FXP
62MHDFX	P-SQCB-240-240-220-220-FX	24 x 24	22 x 22	20.5	21.0	24.0	23.8	2.7	1.8	4.5	62MHDFXP	P-SQCB-240-240-220-220-FXP
62MHDFX	P-SQCB-243-236-230-220-FX	24.25 x 23.62	23 x 22	20.5	21.0	24.0	23.4	2.7	1.8	4.5	62MHDFXP	P-SQCB-243-236-230-220-FXP
62MHDFX	P-SQCB-243-236-230-220-FX	24.25 x 23.625	23 x 22	20.5	21.0	24.0	23.4	2.7	1.8	4.5	62MHDFXP	P-SQCB-243-236-230-220-FXP
62MHDFX	P-SQCB-265-225-245-198-FX	26.5 X 22.5	24.5 X 19.75	23.0	19.0	26.5	22.3	2.8	1.8	4.5	62MHDFXP	P-SQCB-265-225-245-198-FXP
62MHDFX	P-SQCB-273-133-253-113-FX	27.25 x 10	25.25 x 11.25	23.5	10.5	27.0	13.0	1.6	1.4	3.7	62MHDFXP	P-SQCB-273-133-253-113-FXP
62MHDFX	P-SQCB-288-114-270-100-FX	28.75 x 11.375	27 x 10	25.0	9.0	28.5	11.1	1.4	1.4	3.7	62MHDFXP	P-SQCB-288-114-270-100-FXP
62MHDFX	P-SQCB-291-216-270-190-FX	29.125 x 21.62	27 x 19	25.5	18.0	29.0	21.4	2.9	1.8	4.7	62MHDFXP	P-SQCB-291-216-270-190-FXP
62MHDFX	P-SQCB-291-216-270-195-FX	29.125 x 21.62	27 x 19.5	25.5	18.5	29.0	21.4	3.0	1.9	4.7	62MHDFXP	P-SQCB-291-216-270-195-FXP
62MHDFX	P-SQCB-295-164-276-146-FX	29.5 x 16.37 (2pc)	27.56 x 14.6 (2pc)	26.0	13.5	29.5	16.1	2.2	1.7	4.3	62MHDFXP	P-SQCB-295-164-276-146-FXP
62MHDFX	P-SQCB-348-156-330-140-FX	34.75 x 15.6	33 x 14	31.0	13.0	34.5	15.4	2.6	1.9	4.7	62MHDFXP	P-SQCB-348-156-330-140-FXP
62MHDFX	P-SQCB-353-151-330-140-FX	35.25 x 15.125	33 x 14	31.5	13.0	35.0	14.9	2.6	1.9	4.8	62MHDFXP	P-SQCB-353-151-330-140-FXP
62MHDFX	P-SQCB-346-156-331-146-FX	34.625 x 15.625	33.0625 x 14.625	31.0	13.5	34.5	15.4	2.7	1.9	4.8	62MHDFXP	P-SQCB-346-156-331-146-FXP
62MHDFX	P-SQCB-352-175-330-150-FX	35.2 x 17.5	33 x 15	31.5	14.0	35.0	17.3	2.8	1.9	4.9	62MHDFXP	P-SQCB-352-175-330-150-FXP
62MHDFX	P-SQCB-353-151-330-155-FX	35.25 x 15.125	33 x 15.5	31.5	14.5	35.0	14.9	2.9	1.9	5.0	62MHDFXP	P-SQCB-353-151-330-155-FXP
62MHDFX	P-SQCB-230-160-203-130-FX	23 x 16	20.25 x 13	19.5	12.0	23.0	15.8	1.5	1.3	3.4	62MHDFXP	P-SQCB-230-160-203-130-FXP
62MHDFX	P-SQCB-230-160-205-135-FX	23 x 16	20.5 x 13.5	19.5	12.5	23.0	15.8	1.6	1.4	3.4	62MHDFXP	P-SQCB-230-160-205-135-FXP
62MHDFX	P-SQCB-229-179-238-160-FX	22.87 x 17.87	23.75 x 16	19.0	15.0	22.5	17.6	1.8	1.4	3.7	62MHDFXP	P-SQCB-229-179-238-160-FXP
62MHDFX	P-SQCB-222-172-204-230-FX	22.187 x 17.187	20.375 x 23	18.5	22.0	22.0	16.9	2.6	1.7	4.4	62MHDFXP	P-SQCB-222-172-204-230-FXP
62MHDFX	P-SQCB-216-175-221-226-FX	21.6 x 17.5	22.125 x 22.62	18.0	21.5	21.5	17.3	2.5	1.7	4.3	62MHDFXP	P-SQCB-216-175-221-226-FXP
62MHDFX	P-SQCB-240-184-220-240-FX	24 X 18.4	22 X 24	20.5	23.0	24.0	18.2	3.0	1.8	4.7	62MHDFXP	P-SQCB-240-184-220-240-FXP

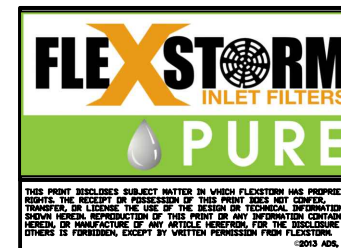
**NOTES:**

1. RATINGS SHOWN ARE FOR STANDARD 22" BAG DEPTH; "SHORT" 12" DEPTH BAGS ARE AVAILABLE WITH -S SUFFIX; RATINGS REDUCED BY ~50%.

2. THE FOLLOWING REQUIRES ADDITIONAL REVIEW

-GRATES WITH EXTENDED BOTTOMS

-ANY OBSTRUCTED INLET OPENINGS

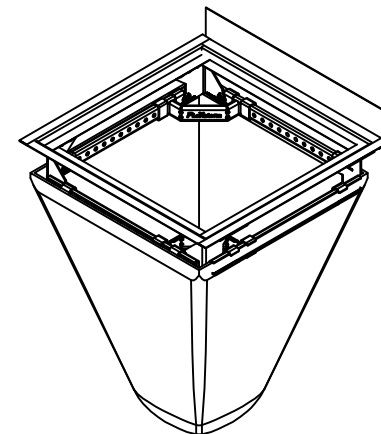
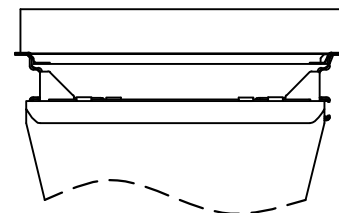
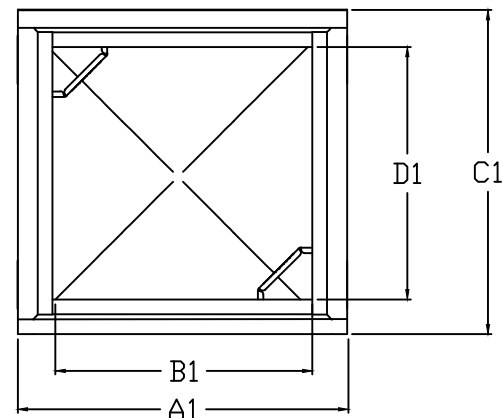
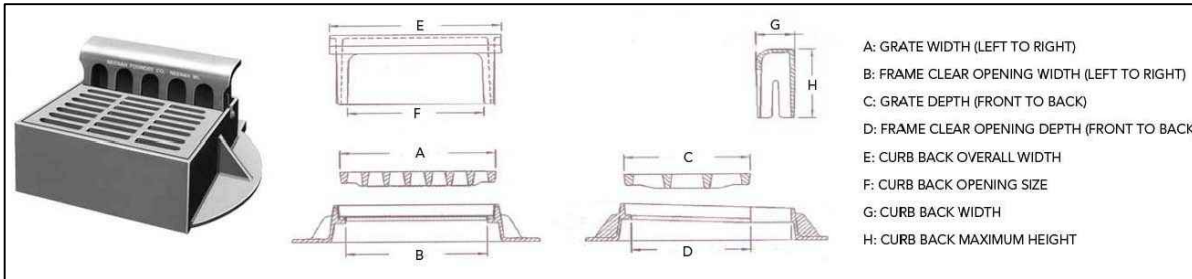


ALL PRODUCTS MANUFACTURED BY INLET & PIPE PROTECTION, INC A DIVISION OF ADS, INC.  
 WWW.INLETFILTERS.COM  
 (866) 287-8655 PH  
 (630) 355-3477 FX  
 INFO@INLETFILTERS.COM

THIS PRINT RESOLVES SUBJECT MATTER IN WHICH FLEXSTORM HAS PROPRIETARY RIGHTS. THE RECEIPT OR POSSESSION OF THIS PRINT DOES NOT CONSTITUTE A TRANSFER, OR LICENSE THE USE OF THE DESIGN OR TECHNICAL INFORMATION SHOWN HEREIN. REPRODUCTION OF THIS PRINT OR ANY INFORMATION CONTAINED HEREIN, OR MANUFACTURE OF ANY ARTICLE HEREFROM, FOR THE RESOLUTION TO OTHERS IS FORBIDDEN, EXCEPT BY WRITTEN PERMISSION FROM FLEXSTORM.	SIZE	FRAME TYPE	DWG NO	REV
C	HDCBD	SQCB-62MHD-FX	A	
SCALE	SHEET 2 OF 2			

# FLEXSTORM P/Ns 62MHDFX & 62MHDFXP

SQCB INLET TYPE: RAISED CAST IRON FRAME AND GRATE WITH CURB HOOD AND DEFLECTOR PLATE



Pure Frame with PC Bag		Field Inlet Dimensions		Flexstorm Framing Dims				Flexstorm Ratings (Flow at 50% max)			PureFrame with PC+ Bag	
ADS P/N	Flexstorm Item Code	Grate Size (A x C)	Clear Opening (B x D)	B1	D1	A1	C1	Bag Capacity (ft <sup>3</sup> )	PC/PC+ Flow Rate (CFS)	Total Bypass (CFS)	ADS P/N	Flexstorm Item Code
62MHDFC	P-SQCB-200-170-180-145-PC	20 x 17	18 x 14.5	16.5	13.5	20.0	16.8	1.4	1.0	3.2	62MHDFCP	P-SQCB-200-170-180-145-PCP
62MHDFC	P-SQCB-199-170-180-150-PC	19.87 x 17	18 x 15	16.0	14.0	19.5	16.8	1.4	1.0	3.2	62MHDFCP	P-SQCB-199-170-180-150-PCP
62MHDFC	P-SQCB-200-170-180-150-PC	20 x 17	18 x 15	16.5	14.0	20.0	16.8	1.5	1.0	3.3	62MHDFCP	P-SQCB-200-170-180-150-PCP
62MHDFC	P-SQCB-199-170-180-155-PC	19.87 x 17	18 x 15.5	16.0	14.5	19.5	16.8	1.5	1.0	3.3	62MHDFCP	P-SQCB-199-170-180-155-PCP
62MHDFC	P-SQCB-200-170-180-155-PC	20 x 17	18 x 15.5	16.5	14.5	20.0	16.8	1.5	1.0	3.3	62MHDFCP	P-SQCB-200-170-180-155-PCP
62MHDFC	P-SQCB-200-220-180-270-PC	20 x 22	18 x 27	16.5	26.0	20.0	21.8	2.7	1.3	4.6	62MHDFCP	P-SQCB-200-220-180-270-PCP
62MHDFC	P-SQCB-216-156-197-126-PC	21.62 x 15.62	19.68 x 12.62	18.0	11.5	21.5	15.4	1.3	1.0	3.2	62MHDFCP	P-SQCB-216-156-197-126-PCP
62MHDFC	P-SQCB-216-156-197-135-PC	21.6 x 15.6	19.7 x 13.5	18.0	12.5	21.5	15.4	1.4	1.0	3.3	62MHDFCP	P-SQCB-216-156-197-135-PCP
62MHDFC	P-SQCB-217-175-195-140-PC	21.7 x 17.5	19.5 x 14.0	18.0	13.0	21.5	17.3	1.5	1.0	3.3	62MHDFCP	P-SQCB-217-175-195-140-PCP
62MHDFC	P-SQCB-214-170-194-150-PC	21.4 X 17	19.4 X 15	17.5	14.0	21.0	16.8	1.6	1.0	3.4	62MHDFCP	P-SQCB-214-170-194-150-PCP
62MHDFC	P-SQCB-213-170-195-155-PC	21.25 x 17	19.5 x 15.5	17.5	14.5	21.0	16.8	1.6	1.0	3.4	62MHDFCP	P-SQCB-213-170-195-155-PCP
62MHDFC	P-SQCB-214-170-194-160-PC	21.4 X 17	19.4 X 16.0	17.5	15.0	21.0	16.8	1.7	1.1	3.5	62MHDFCP	P-SQCB-214-170-194-160-PCP
62MHDFC	P-SQCB-214-170-193-218-PC	21.375 x 17	19.25X 21.75	17.5	21.0	21.0	16.8	2.3	1.2	4.1	62MHDFCP	P-SQCB-214-170-193-218-PCP
62MHDFC	P-SQCB-220-170-200-150-PC	22 x 17	20 x 15	18.5	14.0	22.0	16.8	1.6	1.0	3.5	62MHDFCP	P-SQCB-220-170-200-150-PCP
62MHDFC	P-SQCB-220-169-200-155-PC	22.0 x 16.9	20.0 x 15.5	18.5	14.5	22.0	16.7	1.7	1.1	3.6	62MHDFCP	P-SQCB-220-169-200-155-PCP
62MHDFC	P-SQCB-218-200-198-180-PC	21.75 x 20	19.75 x 18	18.0	17.0	21.5	19.8	1.9	1.1	3.8	62MHDFCP	P-SQCB-218-200-198-180-PCP
62MHDFC	P-SQCB-220-170-203-153-PC	22 x 17	20.25 x 15.25	18.5	14.5	22.0	16.8	1.7	1.1	3.6	62MHDFCP	P-SQCB-220-170-203-153-PCP
62MHDFC	P-SQCB-223-186-203-155-PC	22.25 x 18.6	20.25 x 15.5	18.5	14.5	22.0	18.4	1.7	1.1	3.6	62MHDFCP	P-SQCB-223-186-203-155-PCP
62MHDFC	P-SQCB-224-180-204-160-PC	22.375 x 18	20.375 x 16	18.5	15.0	22.0	17.8	1.8	1.1	3.6	62MHDFCP	P-SQCB-224-180-204-160-PCP
62MHDFC	P-SQCB-223-186-201-200-PC	22.25 x 18.62	20.125 x 20	18.5	19.0	22.0	18.4	2.2	1.2	4.0	62MHDFCP	P-SQCB-223-186-201-200-PCP
62MHDFC	P-SQCB-225-225-205-205-PC	22.5 x 22.5	20.5 x 20.5	19.0	19.5	22.5	22.3	2.4	1.2	4.1	62MHDFCP	P-SQCB-225-225-205-205-PCP
62MHDFC	P-SQCB-223-186-203-150-PC	22.25 x 18.62	20.25X 22.06	18.5	14.0	22.0	18.4	1.6	1.0	3.5	62MHDFCP	P-SQCB-223-186-203-150-PCP
62MHDFC	P-SQCB-220-180-208-229-PC	22 x 18	20.75X 22.87	18.5	22.0	22.0	17.8	2.6	1.3	4.4	62MHDFCP	P-SQCB-220-180-208-229-PCP

**NOTES:**

1. RATINGS SHOWN ARE FOR STANDARD 22" BAG DEPTH; "SHORT" 12" DEPTH BAGS ARE AVAILABLE WITH -S SUFFIX; RATINGS REDUCED BY ~50%.

2. THE FOLLOWING REQUIRES ADDITIONAL REVIEW

-GRATES WITH EXTENDED BOTTOMS

-ANY OBSTRUCTED INLET OPENINGS

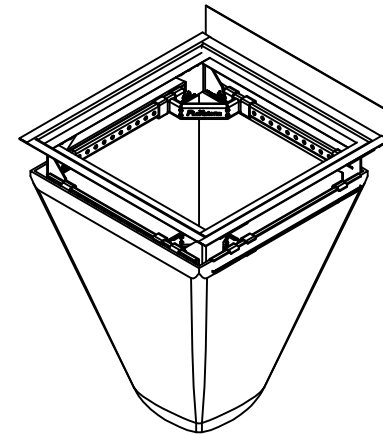
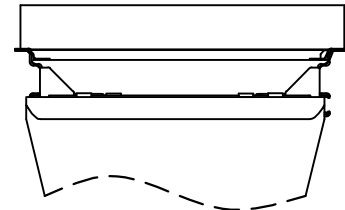
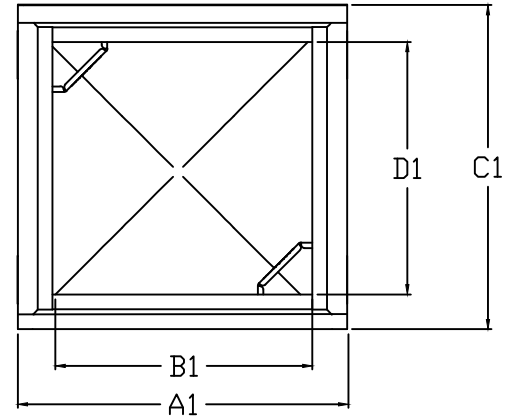
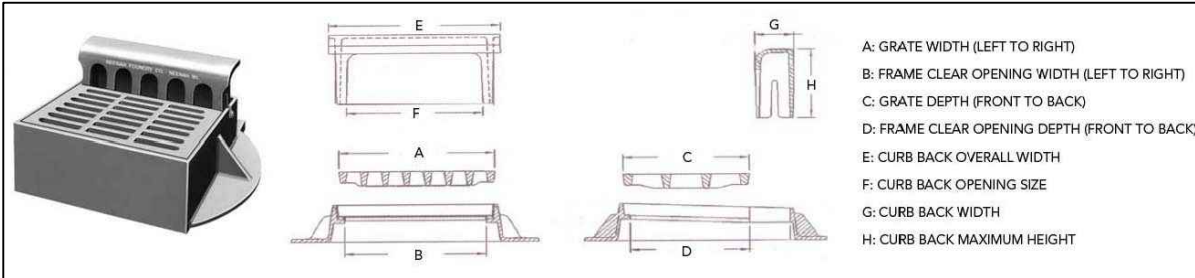


ALL PRODUCTS MANUFACTURED BY INLET & PIPE PROTECTION, INC A DIVISION OF ADS, INC. WWW.INLETFILTERS.COM (866) 287-8655 PH (630) 355-3477 FX INFO@INLETFILTERS.COM

SIZE	FRAME TYPE	DWG NO	REV
C	HDCBD	SQCB-62MHD-PC	A
SCALE	SHEET 1 OF 2		

# FLEXSTORM P/Ns 62MHDFX & 62MHDFXP

SQCB INLET TYPE: RAISED CAST IRON FRAME AND GRATE WITH CURB HOOD AND DEFLECTOR PLATE



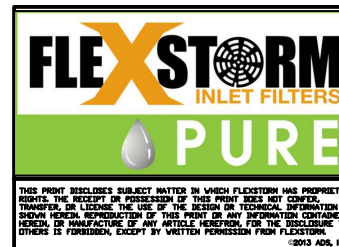
ADS P/N	Flexstorm Item Code	(A x C)	(B x D)	B1	D1	A1	C1	(ft <sup>2</sup> )	Rate (CFS)	(CFS)	ADS P/N	Flexstorm Item Code
62MHDFC	P-SQCB-225-180-208-229-PC	22.5x 18	20.75 X 22.87	19.0	22.0	22.5	17.8	2.7	1.3	4.4	62MHDFCP	P-SQCB-225-180-208-229-PCP
62MHDFC	P-SQCB-230-160-215-150-PC	23 X 16	21.5 X 15	19.5	14.0	23.0	15.8	1.7	1.1	3.6	62MHDFCP	P-SQCB-230-160-215-150-PCP
62MHDFC	P-SQCB-239-239-220-220-PC	23.87 x 23.87	22 x 22	20.0	21.0	23.5	23.6	2.7	1.3	4.4	62MHDFCP	P-SQCB-239-239-220-220-PCP
62MHDFC	P-SQCB-240-240-220-220-PC	24 x 24	22 x 22	20.5	21.0	24.0	23.8	2.7	1.3	4.5	62MHDFCP	P-SQCB-240-240-220-220-PCP
62MHDFC	P-SQCB-243-236-230-220-PC	24.25 x 23.62	23 x 22	20.5	21.0	24.0	23.4	2.7	1.3	4.5	62MHDFCP	P-SQCB-243-236-230-220-PCP
62MHDFC	P-SQCB-265-225-245-198-PC	26.5 X 22.5	24.5 X 19.75	23.0	19.0	26.5	22.3	2.8	1.3	4.5	62MHDFCP	P-SQCB-265-225-245-198-PCP
62MHDFC	P-SQCB-273-133-253-113-PC	27.25 x 10	25.25 x 11.25	23.5	10.5	27.0	13.0	1.6	1.1	3.7	62MHDFCP	P-SQCB-273-133-253-113-PCP
62MHDFC	P-SQCB-288-114-270-100-PC	28.75 x 11.375	27 x 10	25.0	9.0	28.5	11.1	1.4	1.1	3.7	62MHDFCP	P-SQCB-288-114-270-100-PCP
62MHDFC	P-SQCB-288-116-270-100-PC	28.75 x 11.625	27 x 10	25.0	9.0	28.5	11.4	1.4	1.1	3.7	62MHDFCP	P-SQCB-288-116-270-100-PCP
62MHDFC	P-SQCB-291-216-270-190-PC	29.125 x 21.62	27 x 19	25.5	18.0	29.0	21.4	2.9	1.4	4.7	62MHDFCP	P-SQCB-291-216-270-190-PCP
62MHDFC	P-SQCB-291-216-270-195-PC	29.125 x 21.62	27 x 19.5	25.5	18.5	29.0	21.4	3.0	1.4	4.7	62MHDFCP	P-SQCB-291-216-270-195-PCP
62MHDFC	P-SQCB-295-164-276-146-PC	29.5 x 16.37 (2pc)	27.56 x 14.6 (2pc)	26.0	13.5	29.5	16.1	2.2	1.3	4.3	62MHDFCP	P-SQCB-295-164-276-146-PCP
62MHDFC	P-SQCB-348-156-330-140-PC	34.75 x 15.6	33 x 14	31.0	13.0	34.5	15.4	2.6	1.4	4.7	62MHDFCP	P-SQCB-348-156-330-140-PCP
62MHDFC	P-SQCB-353-151-330-140-PC	35.25 x 15.125	33 x 14	31.5	13.0	35.0	14.9	2.6	1.4	4.8	62MHDFCP	P-SQCB-353-151-330-140-PCP
62MHDFC	P-SQCB-346-156-331-146-PC	34.625 x 15.625	33.0625 x 14.625	31.0	13.5	34.5	15.4	2.7	1.4	4.8	62MHDFCP	P-SQCB-346-156-331-146-PCP
62MHDFC	P-SQCB-352-175-330-150-PC	35.2 x 17.5	33 x 15	31.5	14.0	35.0	17.3	2.8	1.4	4.9	62MHDFCP	P-SQCB-352-175-330-150-PCP
62MHDFC	P-SQCB-353-175-330-150-PC	35.25 x 17.5	33 x 15	31.5	14.0	35.0	17.3	2.8	1.4	4.9	62MHDFCP	P-SQCB-353-175-330-150-PCP
62MHDFC	P-SQCB-353-175-330-153-PC	35.25 x 17.5	33 x 15.25	31.5	14.5	35.0	17.3	2.9	1.4	5.0	62MHDFCP	P-SQCB-353-175-330-153-PCP
62MHDFC	P-SQCB-353-151-330-155-PC	35.25 x 15.125	33 x 15.5	31.5	14.5	35.0	14.9	2.9	1.4	5.0	62MHDFCP	P-SQCB-353-151-330-155-PCP
62MHDFC	P-SQCB-353-178-330-155-PC	35.25 x 17.75	33 x 15.5	31.5	14.5	35.0	17.5	2.9	1.4	5.0	62MHDFCP	P-SQCB-353-178-330-155-PCP
62MHDFC	P-SQCB-353-178-331-140-PC	35.25 x 17.75	33.125 x 14	31.5	13.0	35.0	17.5	2.6	1.4	4.8	62MHDFCP	P-SQCB-353-178-331-140-PCP
62MHDFC	P-SQCB-230-160-203-130-PC	23 x 16	20.25 x 13	19.5	12.0	23.0	15.8	1.5	1.0	3.4	62MHDFCP	P-SQCB-230-160-203-130-PCP
62MHDFC	P-SQCB-230-160-205-135-PC	23 x 16	20.5 x 13.5	19.5	12.5	23.0	15.8	1.6	1.0	3.4	62MHDFCP	P-SQCB-230-160-205-135-PCP
62MHDFC	P-SQCB-229-179-238-160-PC	22.87 x 17.87	23.75 x 16	19.0	15.0	22.5	17.6	1.8	1.2	3.7	62MHDFCP	P-SQCB-229-179-238-160-PCP
62MHDFC	P-SQCB-222-172-204-230-PC	22.187 x 17.187	20.375 x 23	18.5	22.0	22.0	16.9	2.6	1.3	4.4	62MHDFCP	P-SQCB-222-172-204-230-PCP
62MHDFC	P-SQCB-216-175-221-226-PC	21.6 x 17.5	22.125 x 22.62	18.0	21.5	21.5	17.3	2.5	1.3	4.3	62MHDFCP	P-SQCB-216-175-221-226-PCP
62MHDFC	P-SQCB-240-184-220-240-PC	24 X 18.4	22 X 24	20.5	23.0	24.0	18.2	3.0	1.4	4.7	62MHDFCP	P-SQCB-240-184-220-240-PCP

**NOTES:**

1. RATINGS SHOWN ARE FOR STANDARD 22" BAG DEPTH; "SHORT" 12" DEPTH BAGS ARE AVAILABLE WITH -S SUFFIX; RATINGS REDUCED BY ~50%.

2. THE FOLLOWING REQUIRES ADDITIONAL REVIEW

- GRATES WITH EXTENDED BOTTOMS
- ANY OBSTRUCTED INLET OPENINGS



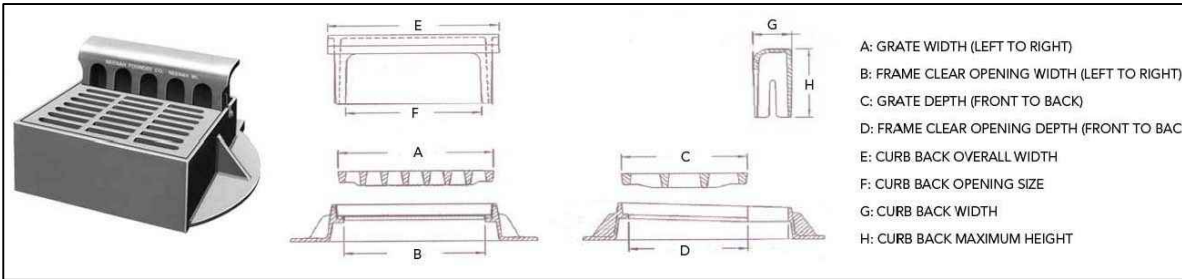
ALL PRODUCTS MANUFACTURED BY INLET & PIPE PROTECTION, INC A DIVISION OF ADS, INC.  
 WWW.INLETFILTERS.COM  
 (866) 287-8655 PH  
 (630) 355-3477 FX  
 INFO@INLETFILTERS.COM

SIZE	FRAME TYPE	DWG NO	REV
C	HDCBD	SQCB-62MHD-PC	A
SCALE	SHEET 2 OF 2		

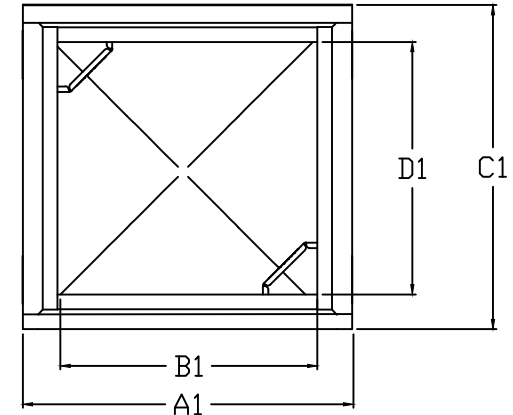
THIS PRINT RESOLVES SUBJECT MATTER IN WHICH FLEXSTORM HAS PROPRIETARY RIGHTS. THE RECEIPT OR POSSESSION OF THIS PRINT DOES NOT CONSTITUTE A TRANSFER, OR LICENSE THE USE OF THE DESIGN OR TECHNICAL INFORMATION SHOWN HEREIN. REPRODUCTION OF THIS PRINT OR ANY INFORMATION CONTAINED HEREIN, OR MANUFACTURE OF ANY ARTICLE HEREFROM, FOR THE RESOLUTION TO OTHERS IS FORBIDDEN, EXCEPT BY WRITTEN PERMISSION FROM FLEXSTORM. ©2013 ADS, INC.

# FLEXSTORM P/Ns 62LHDFX & 62LHDFXP

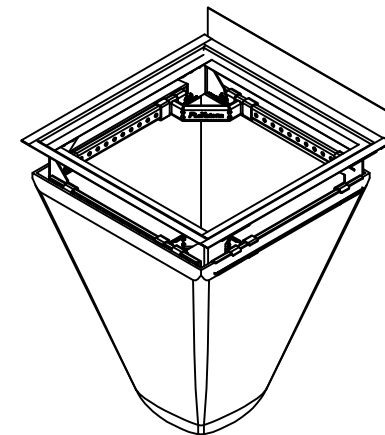
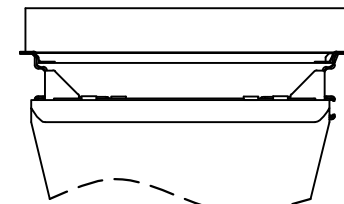
SQCB INLET TYPE: RAISED CAST IRON FRAME AND GRATE WITH CURB HOOD AND DEFLECTOR PLATE



- A: GRATE WIDTH (LEFT TO RIGHT)
- B: FRAME CLEAR OPENING WIDTH (LEFT TO RIGHT)
- C: GRATE DEPTH (FRONT TO BACK)
- D: FRAME CLEAR OPENING DEPTH (FRONT TO BACK)
- E: CURB BACK OVERALL WIDTH
- F: CURB BACK OPENING SIZE
- G: CURB BACK WIDTH
- H: CURB BACK MAXIMUM HEIGHT



Pure Frame with FX Bag		Field Inlet Dimensions		Flexstorm Framing Dims				Flexstorm Ratings (Flow at 50% max)			Pure Frame with FX+ Bag	
ADS P/N	Flexstorm Item Code	Grate Size (A x C)	Clear Opening (B x D)	B1	D1	A1	C1	Bag Capacity (ft <sup>3</sup> )	FX/FX+ Flow Rate (CFS)	Total Bypass (CFS)	ADS P/N	Flexstorm Item Code
62LHDFX	P-SQCB-298-218-274-195-FX	29.75 x 21.75	27.375 x 19.5	26.0	18.5	29.5	21.5	3.1	1.9	4.8	62LHDFXP	P-SQCB-298-218-274-195-FXP
62LHDFX	P-SQCB-318-214-296-190-FX	31.75 x 21.4	29.6 x 19	28.0	18.0	31.5	21.2	3.2	1.9	5.0	62LHDFXP	P-SQCB-318-214-296-190-FXP
62LHDFX	P-SQCB-315-214-300-196-FX	31.5 x 21.4	30 X 19.6	28.0	18.5	31.5	21.2	3.3	2.0	5.0	62LHDFXP	P-SQCB-315-214-300-196-FXP
62LHDFX	P-SQCB-338-218-314-194-FX	33.75 x 21.75	31.375 x 19.375	30.0	18.5	33.5	21.5	3.5	2.1	5.2	62LHDFXP	P-SQCB-338-218-314-194-FXP
62LHDFX	P-SQCB-340-213-321-194-FX	34 x 21.25	32.125 x 19.375	30.5	18.5	34.0	21.0	3.6	2.1	5.3	62LHDFXP	P-SQCB-340-213-321-194-FXP
62LHDFX	P-SQCB-340-213-323-195-FX	34 x 21.25	32.25 x 19.5	30.5	18.5	34.0	21.0	3.6	2.1	5.3	62LHDFXP	P-SQCB-340-213-323-195-FXP
62LHDFX	P-SQCB-353-178-330-150-FX	35.25 x 17.75	33 x 15	31.5	14.0	35.0	17.5	2.8	1.9	4.9	62LHDFXP	P-SQCB-353-178-330-150-FXP
62LHDFX	P-SQCB-355-175-335-150-FX	35.5 x 17.5	33.5 X 15	32.0	14.0	35.5	17.3	2.9	1.9	5.0	62LHDFXP	P-SQCB-355-175-335-150-FXP
62LHDFX	P-SQCB-355-178-335-160-FX	35.5 x 17.75	33.5 X 16	32.0	15.0	35.5	17.5	3.1	2.0	5.1	62LHDFXP	P-SQCB-355-178-335-160-FXP
62LHDFX	P-SQCB-358-238-334-210-FX	35.8 x 23.8	33.4 x 21	32.0	20.0	35.5	23.6	4.1	2.2	5.6	62LHDFXP	P-SQCB-358-238-334-210-FXP
62LHDFX	P-SQCB-358-239-335-218-FX	35.75 x 23.87	33.5 X 21.75	32.0	21.0	35.5	23.6	4.3	2.2	5.7	62LHDFXP	P-SQCB-358-239-335-218-FXP
62LHDFX	P-SQCB-355-175-330-160-FX	35.5 x 17.5	33 x 16	32.0	15.0	35.5	17.3	3.1	2.0	5.1	62LHDFXP	P-SQCB-355-175-330-160-FXP
62LHDFX	P-SQCB-363-218-340-205-FX	36.25 x 21.75	34 x 20.5	32.5	19.5	36.0	21.5	4.0	2.2	5.6	62LHDFXP	P-SQCB-363-218-340-205-FXP
62LHDFX	P-SQCB-380-169-364-151-FX	38 x 16.87	36.375 x 15.125	34.5	14.0	38.0	16.6	3.1	2.1	5.2	62LHDFXP	P-SQCB-380-169-364-151-FXP
62LHDFX	P-SQCB-393-229-379-210-FX	39.25(x2) x 22.87	37.87 (x2) x 21	35.5	20.0	39.0	22.6	4.5	2.4	6.0	62LHDFXP	P-SQCB-393-229-379-210-FXP
62LHDFX	P-SQCB-395-229-379-210-FX	39.5 x 22.87	37.87 x 21	36.0	20.0	39.5	22.6	4.6	2.4	6.0	62LHDFXP	P-SQCB-395-229-379-210-FXP
62LHDFX	P-SQCB-375-245-378-230-FX	37.5 x 24.5	37.75 x 23	34.0	22.0	37.5	24.3	4.8	2.4	6.0	62LHDFXP	P-SQCB-375-245-378-230-FXP
62LHDFX	P-SQCB-381-180-355-155-FX	38.1 x 18	35.5 x 15.5	34.5	14.5	38.0	17.8	3.2	2.1	5.3	62LHDFXP	P-SQCB-381-180-355-155-FXP
62LHDFX	P-SQCB-278-245-280-230-FX	27.75 X 24.5	28 X 23	24.0	22.0	27.5	24.3	3.4	1.9	5.0	62LHDFXP	P-SQCB-278-245-280-230-FXP
62LHDFX	P-SQCB-475-245-378-230-FX	47.5 X 24.5	37.75 X 23	44.0	22.0	47.5	24.3	6.2	2.8	7.1	62LHDFXP	P-SQCB-475-245-378-230-FXP
62LHDFX	P-SQCB-358-238-355-273-FX	35.75 x 23.75	35.5 x 27.25	32.0	26.5	35.5	23.5	5.4	2.5	6.3	62LHDFXP	P-SQCB-358-238-355-273-FXP
62LHDFX	P-SQCB-480-240-440-200-FX	48 x 24	44 x 20	44.5	19.0	48.0	23.8	5.4	2.7	6.8	62LHDFXP	P-SQCB-480-240-440-200-FXP
62LHDFX	P-SQCB-365-244-350-291-FX	36.5 x 24.375	35 x 29.0625	33.0	28.0	36.5	24.1	5.9	2.6	6.6	62LHDFXP	P-SQCB-365-244-350-291-FXP



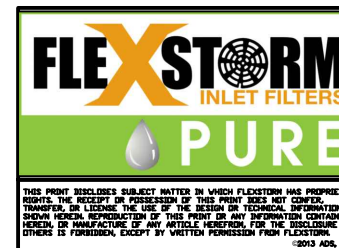
**NOTES:**

1. RATINGS SHOWN ARE FOR STANDARD 22" BAG DEPTH; "SHORT" 12" DEPTH BAGS ARE AVAILABLE WITH -S SUFFIX; RATINGS REDUCED BY ~50%.

2. THE FOLLOWING REQUIRES ADDITIONAL REVIEW

-GRATES WITH EXTENDED BOTTOMS

-ANY OBSTRUCTED INLET OPENINGS

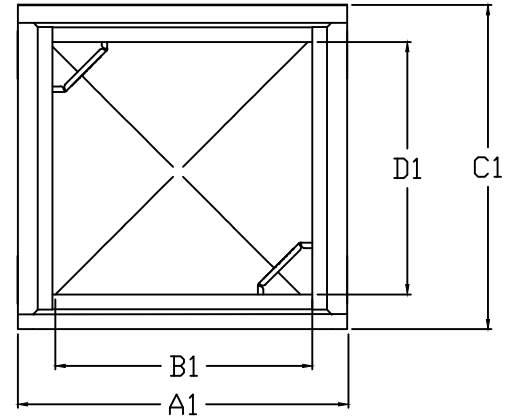
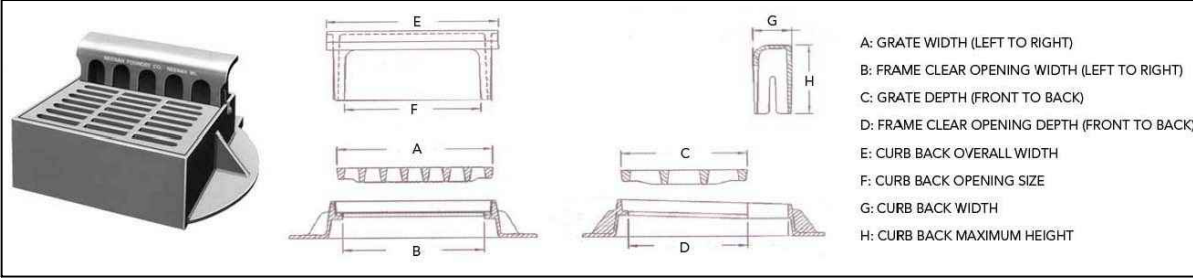


ALL PRODUCTS MANUFACTURED BY INLET & PIPE PROTECTION, INC A DIVISION OF ADS, INC. WWW.INLETFILTERS.COM (866) 287-8655 PH (630) 355-3477 FX INFO@INLETFILTERS.COM

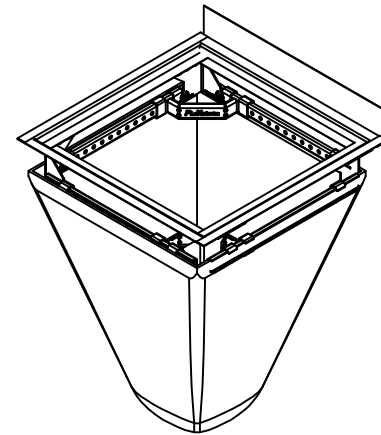
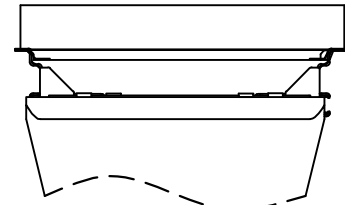
SIZE	FRAME TYPE	DWG NO	REV
C	HDCBD	SQCB-62LHD-FX	A
SCALE	SHEET 1 OF 1		

# FLEXSTORM P/Ns 62LHDFX & 62LHDFXP

SQCB INLET TYPE: RAISED CAST IRON FRAME AND GRATE WITH CURB HOOD AND DEFLECTOR PLATE



Pure Frame with PC Bag		Field Inlet Dimensions		Flexstorm Framing Dims				Flexstorm Ratings (Flow at 50% max)			PureFrame with PC+ Bag	
ADS P/N	Flexstorm Item Code	Grate Size (A x C)	Clear Opening (B x D)	B1	D1	A1	C1	Bag Capacity (ft³)	PC/PC+ Flow Rate (CFS)	Total Bypass (CFS)	ADS P/N	Flexstorm Item Code
62LHDPC	P-SQCB-298-218-274-195-PC	29.75 x 21.75	27.375 x 19.5	26.0	18.5	29.5	21.5	3.1	1.4	4.8	62LHDPCP	P-SQCB-298-218-274-195-PCP
62LHDPC	P-SQCB-318-214-296-190-PC	31.75 x 21.4	29.6 x 19	28.0	18.0	31.5	21.2	3.2	1.4	5.0	62LHDPCP	P-SQCB-318-214-296-190-PCP
62LHDPC	P-SQCB-315-214-300-196-PC	31.5 X 21.4	30 X 19.6	28.0	18.5	31.5	21.2	3.3	1.5	5.0	62LHDPCP	P-SQCB-315-214-300-196-PCP
62LHDPC	P-SQCB-338-218-314-194-PC	33.75 x 21.75	31.375 x 19.375	30.0	18.5	33.5	21.5	3.5	1.5	5.2	62LHDPCP	P-SQCB-338-218-314-194-PCP
62LHDPC	P-SQCB-340-213-321-194-PC	34 x 21.25	32.125 x 19.375	30.5	18.5	34.0	21.0	3.6	1.5	5.3	62LHDPCP	P-SQCB-340-213-321-194-PCP
62LHDPC	P-SQCB-340-213-323-195-PC	34 x 21.25	32.25 x 19.5	30.5	18.5	34.0	21.0	3.6	1.5	5.3	62LHDPCP	P-SQCB-340-213-323-195-PCP
62LHDPC	P-SQCB-353-178-330-150-PC	35.25 x 17.75	33 x 15	31.5	14.0	35.0	17.5	2.8	1.4	4.9	62LHDPCP	P-SQCB-353-178-330-150-PCP
62LHDPC	P-SQCB-355-175-335-150-PC	35.5 X 17.5	33.5 X 15	32.0	14.0	35.5	17.3	2.9	1.4	5.0	62LHDPCP	P-SQCB-355-175-335-150-PCP
62LHDPC	P-SQCB-355-178-332-155-PC	35.5 x 17.75	33.2 x 15.5	32.0	14.5	35.5	17.5	3.0	1.4	5.0	62LHDPCP	P-SQCB-355-178-332-155-PCP
62LHDPC	P-SQCB-355-178-335-160-PC	35.5 x 17.75	33.5 X 16	32.0	15.0	35.5	17.5	3.1	1.5	5.1	62LHDPCP	P-SQCB-355-178-335-160-PCP
62LHDPC	P-SQCB-358-238-334-210-PC	35.8 x 23.8	33.4 x 21	32.0	20.0	35.5	23.6	4.1	1.6	5.6	62LHDPCP	P-SQCB-358-238-334-210-PCP
62LHDPC	P-SQCB-358-239-335-211-PC	35.75 x 23.87	33.5 x 21.125	32.0	20.0	35.5	23.6	4.1	1.6	5.6	62LHDPCP	P-SQCB-358-239-335-211-PCP
62LHDPC	P-SQCB-358-239-335-218-PC	35.75 X 23.87	33.5 X 21.75	32.0	21.0	35.5	23.6	4.3	1.6	5.7	62LHDPCP	P-SQCB-358-239-335-218-PCP
62LHDPC	P-SQCB-358-239-335-219-PC	35.75 x 23.87	33.5 x 21.87	32.0	21.0	35.5	23.6	4.3	1.6	5.7	62LHDPCP	P-SQCB-358-239-335-219-PCP
62LHDPC	P-SQCB-355-175-330-160-PC	35.5 x 17.5	33 x 16	32.0	15.0	35.5	17.3	3.1	1.5	5.1	62LHDPCP	P-SQCB-355-175-330-160-PCP
62LHDPC	P-SQCB-363-218-340-205-PC	36.25 x 21.75	34 x 20.5	32.5	19.5	36.0	21.5	4.0	1.6	5.6	62LHDPCP	P-SQCB-363-218-340-205-PCP
62LHDPC	P-SQCB-380-169-364-151-PC	38 x 16.87	36.375 x 15.125	34.5	14.0	38.0	16.6	3.1	1.5	5.2	62LHDPCP	P-SQCB-380-169-364-151-PCP
62LHDPC	P-SQCB-393-229-379-210-PC	39.25(x2) x 22.87	37.87 (x2) x 21	35.5	20.0	39.0	22.6	4.5	1.7	6.0	62LHDPCP	P-SQCB-393-229-379-210-PCP
62LHDPC	P-SQCB-395-229-379-210-PC	39.5 x 22.87	37.87 x 21	36.0	20.0	39.5	22.6	4.6	1.7	6.0	62LHDPCP	P-SQCB-395-229-379-210-PCP
62LHDPC	P-SQCB-375-245-378-230-PC	37.5 x 24.5	37.75 x 23	34.0	22.0	37.5	24.3	4.8	1.8	6.0	62LHDPCP	P-SQCB-375-245-378-230-PCP
62LHDPC	P-SQCB-361-180-340-160-PC	36.1 x 18	34 x 16	32.5	15.0	36.0	17.8	3.1	1.5	5.1	62LHDPCP	P-SQCB-361-180-340-160-PCP
62LHDPC	P-SQCB-381-180-355-155-PC	38.1 x 18	35.5 x 15.5	34.5	14.5	38.0	17.8	3.2	1.5	5.3	62LHDPCP	P-SQCB-381-180-355-155-PCP
62LHDPC	P-SQCB-278-245-280-230-PC	27.75 X 24.5	28 X 23	24.0	22.0	27.5	24.3	3.4	1.5	5.0	62LHDPCP	P-SQCB-278-245-280-230-PCP
62LHDPC	P-SQCB-475-245-378-230-PC	47.5 X 24.5	37.75 X 23	44.0	22.0	47.5	24.3	6.2	1.8	7.1	62LHDPCP	P-SQCB-475-245-378-230-PCP
62LHDPC	P-SQCB-358-238-355-273-PC	35.75 x 23.75	35.5 x 27.25	32.0	26.5	35.5	23.5	5.4	1.9	6.3	62LHDPCP	P-SQCB-358-238-355-273-PCP
62LHDPC	P-SQCB-480-240-440-200-PC	48 x 24	44 x 20	44.5	19.0	48.0	23.8	5.4	1.9	6.8	62LHDPCP	P-SQCB-480-240-440-200-PCP
62LHDPC	P-SQCB-365-244-350-291-PC	36.5 x 24.375	35 x 29.0625	33.0	28.0	36.5	24.1	5.9	1.9	6.6	62LHDPCP	P-SQCB-365-244-350-291-PCP

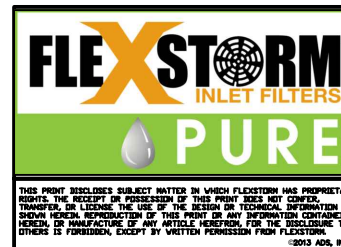


## NOTES:

1. RATINGS SHOWN ARE FOR STANDARD 22" BAG DEPTH; "SHORT" 12" DEPTH BAGS ARE AVAILABLE WITH -S SUFFIX; RATINGS REDUCED BY ~50%.

2. THE FOLLOWING REQUIRES ADDITIONAL REVIEW

- GRATES WITH EXTENDED BOTTOMS
- ANY OBSTRUCTED INLET OPENINGS



ALL PRODUCTS MANUFACTURED BY INLET & PIPE PROTECTION, INC A DIVISION OF ADS, INC.  
 WWW.INLETFILTERS.COM  
 (866) 287-8655 PH  
 (630) 355-3477 FX  
 INFO@INLETFILTERS.COM

SIZE	FRAME TYPE	DWG NO	REV
C	HDCBD	SQCB-62LHD-PC	A
SCALE	SHEET 1 OF 1		