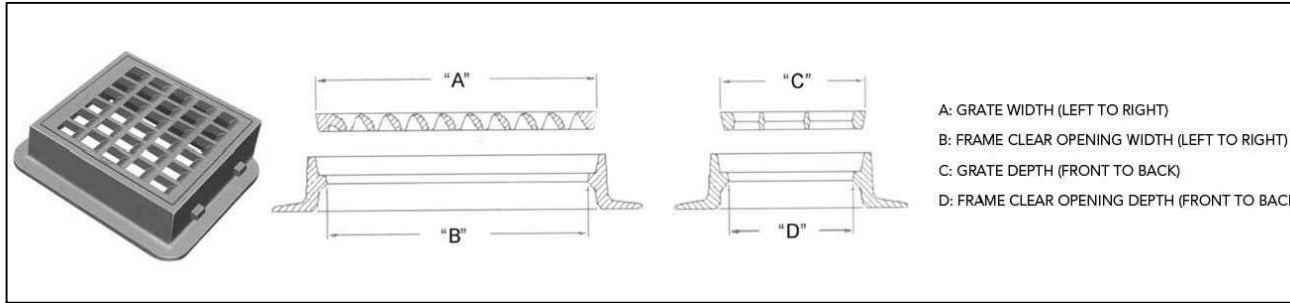
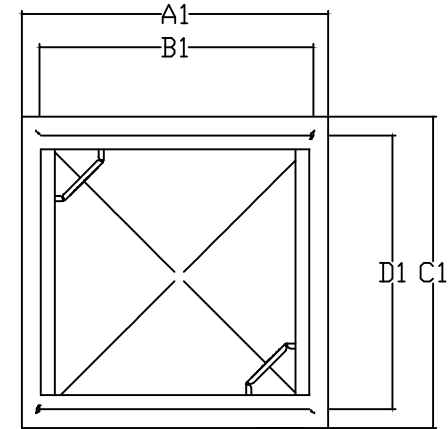


FLEXSTORM P/Ns 62SHDFX & 62SHDFXP

FOR SQ INLET TYPE: RAISED CAST IRON FRAME AND FLAT RECTANGULAR/SQUARE GRATE

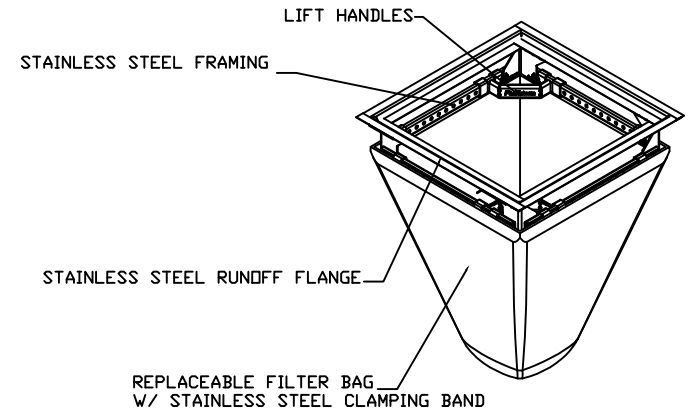
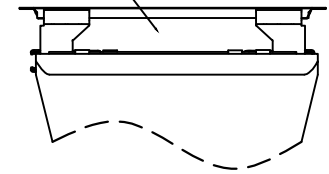


A: GRATE WIDTH (LEFT TO RIGHT)
 B: FRAME CLEAR OPENING WIDTH (LEFT TO RIGHT)
 C: GRATE DEPTH (FRONT TO BACK)
 D: FRAME CLEAR OPENING DEPTH (FRONT TO BACK)



Pure Frame with FX Bag		Field Inlet Dimensions		Flexstorm Framing Dims				Flexstorm Ratings (50%)			Pure Frame with FX+ Bag	
ADS P/N	Flexstorm Item Code	Grate Size (A x C)	Clear Opening (B x D)	B1	D1	A1	C1	Bag Capacity (ft ³)	FX/FX+ Flow Rate (CFS)	Bypass (CFS)	ADS P/N	Flexstorm Item Code
62SHDFX	P-SQ-134-134-116-116-FX	13.375 x 13.375	11.62 x 11.62	9.5	10.5	13.0	13.1	0.6	0.8	2.2	62SHDFXP	P-SQ-134-134-116-116-FXP
62SHDFX	P-SQ-180-180-163-163-FX	18 x 18	16.25 x 16.25	14.5	15.0	18.0	17.8	1.4	1.2	3.2	62SHDFXP	P-SQ-180-180-163-163-FXP
62SHDFX	P-SQ-190-130-175-115-FX	19 x 13	17.5 x 11.5	15.5	10.5	19.0	12.8	1.0	1.1	2.8	62SHDFXP	P-SQ-190-130-175-115-FXP
62SHDFX	P-SQ-240-105-223-88-FX	24 x 10.5	22.25 x 8.75	20.5	8.0	24.0	10.3	1.0	1.2	3.1	62SHDFXP	P-SQ-240-105-223-88-FXP

ULTIMATE BYPASS AREA



NOTES:

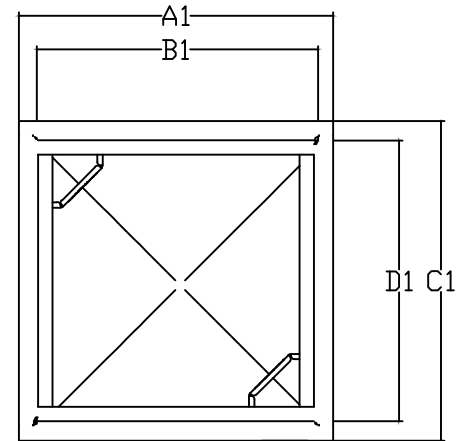
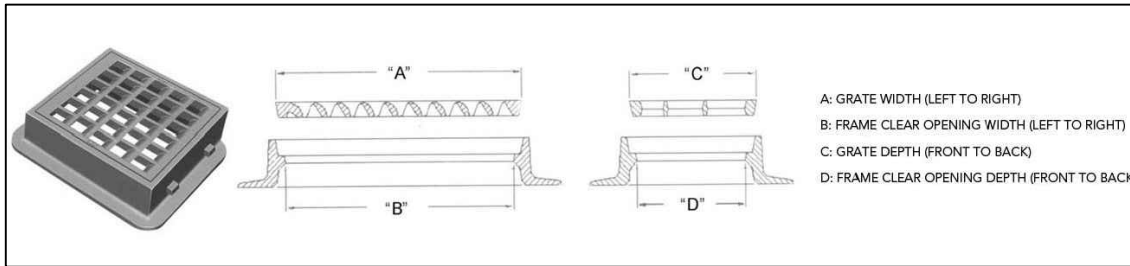
- RATINGS SHOWN ARE FOR STANDARD 22" BAG DEPTH; 'SHORT' 12" DEPTH BAGS ARE AVAILABLE WITH -S SUFFIX; RATINGS REDUCED BY ~50%.
- THE FOLLOWING REQUIRES ADDITIONAL REVIEW
 - GRATES WITH EXTENDED BOTTOMS
 - ANY OBSTRUCTED INLET OPENINGS

		ALL PRODUCTS MANUFACTURED BY INLET & PIPE PROTECTION, INC A DIVISION OF ADS, INC. WWW.INLETFILTERS.COM (866) 287-8655 PH (630) 355-3477 FX INFO@INLETFILTERS.COM	
		SIZE C FRAME TYPE SQHD4 SCALE	DWG NO SQ-62SHD-FX REV A

THIS PRINT DISCLOSES SUBJECT MATTER IN WHICH FLEXSTORM HAS PROPRIETARY RIGHTS. THE RECEIPT OR POSSESSION OF THIS PRINT DOES NOT CONFER, TRANSFER, OR LICENSE THE USE OF THE DESIGN OR TECHNICAL INFORMATION SHOWN HEREIN. REPRODUCTION OF THIS PRINT OR ANY INFORMATION CONTAINED HEREIN, OR MANUFACTURE OF ANY ARTICLE HEREFROM, FOR THE DISCLOSURE TO OTHERS IS PROHIBITED, EXCEPT BY WRITTEN PERMISSION FROM FLEXSTORM. ©2013 ADS, INC.

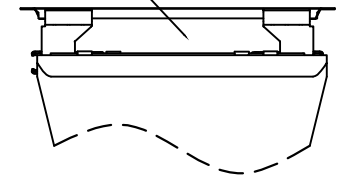
FLEXSTORM P/Ns 62MHDFX & 62MHDFXP

FOR SQ INLET TYPE: RAISED CAST IRON FRAME AND FLAT RECTANGULAR/SQUARE GRATE



Pure Frame with FX Bag		Field Inlet Dimensions		Flexstorm Framing Dims				Flexstorm Ratings (50%)			Pure Frame with FX+ Bag	
ADS P/N	Flexstorm Item Code	Grate Size (A x C)	Clear Opening (B x D)	B1	D1	A1	C1	Bag Capacity (ft ²)	FX/FX+ Flow Rate (CFS)	Bypass (CFS)	ADS P/N	Flexstorm Item Code
62MHDFX	P-SQ-180-180-170-170-FX	18 x 18	17 x 17	14.5	16.0	18.0	17.8	1.5	1.3	3.3	62MHDFXP	P-SQ-180-180-170-170-FXP
62MHDFX	P-SQ-198-198-180-180-FX	19.75 x 19.75	18 x 18	16.0	17.0	19.5	19.5	1.7	1.4	3.6	62MHDFXP	P-SQ-198-198-180-180-FXP
62MHDFX	P-SQ-218-148-200-130-FX	21.75 X 14.75	20 x 13	18.0	12.0	21.5	14.5	1.4	1.3	3.2	62MHDFXP	P-SQ-218-148-200-130-FXP
62MHDFX	P-SQ-218-218-196-196-FX	21.75 x 21.75	19.6 x 19.6	18.0	18.5	21.5	21.5	2.1	1.5	3.9	62MHDFXP	P-SQ-218-218-196-196-FXP
62MHDFX	P-SQ-218-218-200-200-FX	21.75 x 21.75	20 x 20	18.0	19.0	21.5	21.5	2.2	1.6	4.0	62MHDFXP	P-SQ-218-218-200-200-FXP
62MHDFX	P-SQ-223-223-199-199-FX	22.25 x 22.25	20.125 x 20.125	18.5	19.0	22.0	22.0	2.2	1.6	4.0	62MHDFXP	P-SQ-223-223-199-199-FXP
62MHDFX	P-SQ-223-223-201-201-FX	22.25 x 22.25	20.125 x 20.125	18.5	19.0	22.0	22.0	2.2	1.6	4.0	62MHDFXP	P-SQ-223-223-201-201-FXP
62MHDFX	P-SQ-225-225-207-195-FX	22.5 x 22.5	(2) 20.687 x 19.5	19.0	18.5	22.5	22.3	2.2	1.6	4.0	62MHDFXP	P-SQ-225-225-207-195-FXP
62MHDFX	P-SQ-225-223-203-203-FX	22.5 x 22.25	20.25 x 20.25	19.0	19.0	22.5	22.0	2.3	1.6	4.1	62MHDFXP	P-SQ-225-223-203-203-FXP
62MHDFX	P-SQ-225-225-205-205-FX	22.5 x 22.5	20.5 x 20.5	19.0	19.5	22.5	22.3	2.4	1.6	4.1	62MHDFXP	P-SQ-225-225-205-205-FXP
62MHDFX	P-SQ-228-228-208-208-FX	22.75 x 22.75	20.75x 20.75	19.0	20.0	22.5	22.5	2.4	1.7	4.2	62MHDFXP	P-SQ-228-228-208-208-FXP
62MHDFX	P-SQ-230-201-205-176-FX	23 x 20.125	20.5 x 17.62	19.5	16.5	23.0	19.9	2.0	1.5	3.9	62MHDFXP	P-SQ-230-201-205-176-FXP
62MHDFX	P-SQ-231-203-205-180-FX	23.1 x 20.25	20.5 x 18	19.5	17.0	23.0	20.0	2.1	1.5	3.9	62MHDFXP	P-SQ-231-203-205-180-FXP
62MHDFX	P-SQ-235-235-220-220-FX	23.5 x 23.5	22 x 22	20.0	21.0	23.5	23.3	2.7	1.7	4.4	62MHDFXP	P-SQ-235-235-220-220-FXP
62MHDFX	P-SQ-236-236-221-221-FX	23.625 x 23.625	22.125 x 22.125	20.0	21.1	23.5	23.4	2.7	1.7	4.4	62MHDFXP	P-SQ-236-236-221-221-FXP
62MHDFX	P-SQ-238-238-220-220-FX	23.75 X 23.75	22 X 22	20.0	21.0	23.5	23.5	2.7	1.7	4.4	62MHDFXP	P-SQ-238-238-220-220-FXP
62MHDFX	P-SQ-239-215-220-198-FX	23.87 x 21.5	22 x 19.75	20.0	19.0	23.5	21.3	2.4	1.7	4.2	62MHDFXP	P-SQ-239-215-220-198-FXP
62MHDFX	P-SQ-239-239-215-223-FX	23.87 x 23.87	21.5 x 22.25	20.0	21.5	23.5	23.6	2.7	1.8	4.5	62MHDFXP	P-SQ-239-239-215-223-FXP
62MHDFX	P-SQ-239-239-220-220-FX	23.87 x 23.87	22 x 22	20.0	21.0	23.5	23.6	2.7	1.7	4.4	62MHDFXP	P-SQ-239-239-220-220-FXP
62MHDFX	P-SQ-239-239-223-223-FX	23.87 x 23.87	22.25 x 22.25	20.0	21.5	23.5	23.6	2.7	1.8	4.5	62MHDFXP	P-SQ-239-239-223-223-FXP
62MHDFX	P-SQ-240-163-223-145-FX	24 x 16.25	22.25 x 14.5	20.5	13.5	24.0	16.0	1.8	1.4	3.7	62MHDFXP	P-SQ-240-163-223-145-FXP
62MHDFX	P-SQ-240-215-220-195-FX	24 x 21.5	22 x 19.5	21.0	18.0	24.5	19.3	2.4	1.7	4.2	62MHDFXP	P-SQ-240-215-220-195-FXP
62MHDFX	P-SQ-240-223-218-205-FX	24 x 22.25	21.75 x 20.5	20.5	19.5	24.0	22.0	2.5	1.7	4.3	62MHDFXP	P-SQ-240-223-218-205-FXP
62MHDFX	P-SQ-240-240-220-220-FX	24 x 24	22 x 22	20.5	21.0	24.0	23.8	2.7	1.8	4.5	62MHDFXP	P-SQ-240-240-220-220-FXP

ULTIMATE BYPASS AREA



LIFT HANDLES

STAINLESS STEEL FRAMING

STAINLESS STEEL RUNOFF FLANGE

REPLACEABLE FILTER BAG W/ STAINLESS STEEL CLAMPING BAND

NOTES:

1. RATINGS SHOWN ARE FOR STANDARD 22" BAG DEPTH; "SHORT" 12" DEPTH BAGS ARE AVAILABLE WITH -S SUFFIX; RATINGS REDUCED BY ~50%.

2. THE FOLLOWING REQUIRES ADDITIONAL REVIEW

-GRATES WITH EXTENDED BOTTOMS

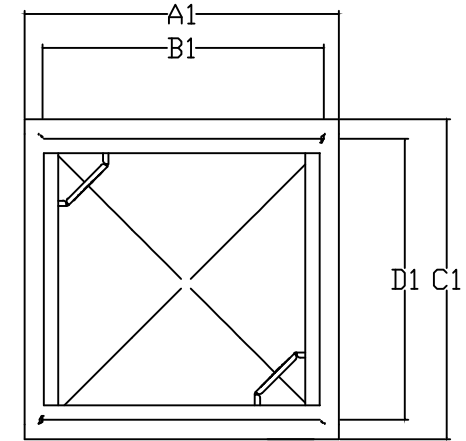
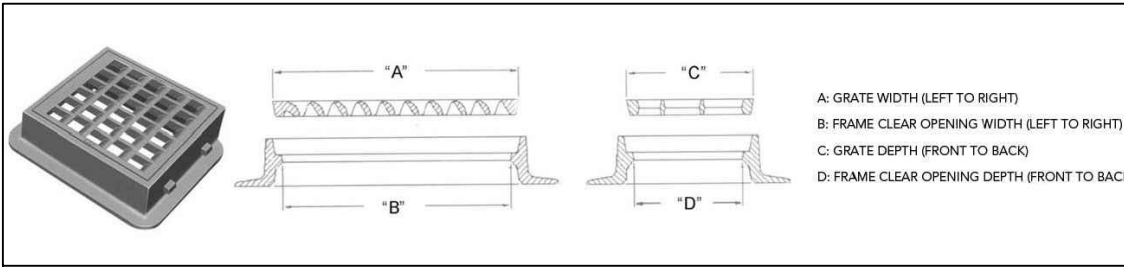
-ANY OBSTRUCTED INLET OPENINGS

ALL PRODUCTS MANUFACTURED BY INLET & PIPE PROTECTION, INC A DIVISION OF ADS, INC.
WWW.INLETFILTERS.COM
 (866) 287-8655 PH
 (630) 355-3477 FX
INFO@INLETFILTERS.COM

THIS PRINT DISCLOSES SUBJECT MATTER IN WHICH FLEXSTORM HAS PROPRIETARY RIGHTS. THE RECEIPT OR POSSESSION OF THIS PRINT DOES NOT CONFER, TRANSFER, OR LICENSE THE USE OF THE DESIGN OR TECHNICAL INFORMATION SHOWN HEREIN. REPRODUCTION OF THIS PRINT OR ANY INFORMATION CONTAINED HEREIN, OR MANUFACTURE OF ANY ARTICLE HEREFROM, FOR THE DISCLOSURE TO OTHERS IS PROHIBITED, EXCEPT BY WRITTEN PERMISSION FROM FLEXSTORM. ©2013 ADS, INC.	SIZE C	FRAME TYPE SQHD4	DWG NO SQ-62MHD-FX	REV A
SCALE			SHEET 2 OF 2	

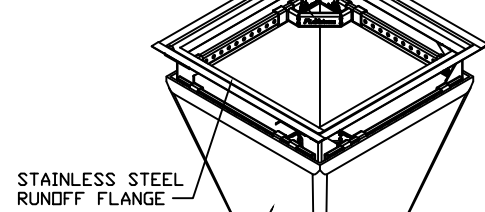
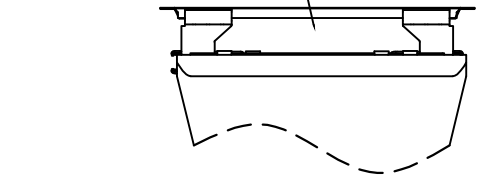
FLEXSTORM P/Ns 62MHDFX & 62MHDFXP

FOR SQ INLET TYPE: RAISED CAST IRON FRAME AND FLAT RECTANGULAR/SQUARE GRATE



Pure Frame with FX Bag		Field Inlet Dimensions		Flexstorm Framing Dims				Flexstorm Ratings (50%)			Pure Frame with FX+ Bag	
ADS P/N	Flexstorm Item Code	Grate Size (A x C)	Clear Opening (B x D)	B1	D1	A1	C1	Bag Capacity (ft³)	FX/FX+ Flow Rate (CFS)	Bypass (CFS)	ADS P/N	Flexstorm Item Code
62MHDFX	P-SQ-240-240-221-221-FX	24 x 24	22.125 x 22.125	20.5	21.0	24.0	23.8	2.7	3.5	4.5	62MHDFXP	P-SQ-240-240-221-221-FXP
62MHDFX	P-SQ-240-240-228-228-FX	24 x 24	22.75 x 22.75	20.5	22.0	24.0	23.8	2.9	3.6	4.6	62MHDFXP	P-SQ-240-240-228-228-FXP
62MHDFX	P-SQ-253-253-240-240-FX	25.25 x 25.25	24 x 24	21.5	23.0	25.0	25.0	3.1	3.8	4.8	62MHDFXP	P-SQ-253-253-240-240-FXP
62MHDFX	P-SQ-254-140-235-123-FX	25.375 x 14	23.5 x 12.25	21.5	11.0	25.0	13.8	1.5	2.8	3.5	62MHDFXP	P-SQ-254-140-235-123-FXP
62MHDFX	P-SQ-255-255-240-240-FX	25.5 x 25.5	24 X 24	22.0	23.0	25.5	25.3	3.2	3.8	4.9	62MHDFXP	P-SQ-255-255-240-240-FXP
62MHDFX	P-SQ-258-198-240-180-FX	19.75 X 25.75	18 X 24	22.0	17.0	25.5	19.5	2.4	3.3	4.2	62MHDFXP	P-SQ-258-198-240-180-FXP
62MHDFX	P-SQ-258-258-240-240-FX	25.75 X 25.75	24 X 24	22.0	23.0	25.5	25.5	3.2	3.8	4.9	62MHDFXP	P-SQ-258-258-240-240-FXP
62MHDFX	P-SQ-260-180-240-160-FX	26 x 18	24 x 16	22.5	15.0	26.0	17.8	2.1	3.2	4.0	62MHDFXP	P-SQ-260-180-240-160-FXP
62MHDFX	P-SQ-260-260-240-240-FX	26 x 26	24 x 24	22.5	23.0	26.0	25.8	3.3	3.9	4.9	62MHDFXP	P-SQ-260-260-240-240-FXP
62MHDFX	P-SQ-264-144-240-121-FX	26.375 x 14.375	24 x 12.125	22.5	11.0	26.0	14.1	1.6	2.8	3.6	62MHDFXP	P-SQ-264-144-240-121-FXP
62MHDFX	P-SQ-268-163-248-145-FX	26.75 x 16.25	14.5 x 24.75	23.0	13.5	26.5	16.0	2.0	3.1	3.9	62MHDFXP	P-SQ-268-163-248-145-FXP
62MHDFX	P-SQ-268-198-245-175-FX	26.75 x 19.75	24.5 x 17.5	23.0	16.5	26.5	19.5	2.4	3.3	4.3	62MHDFXP	P-SQ-268-198-245-175-FXP
62MHDFX	P-SQ-280-180-260-160-FX	28 x 18	26 x 16	24.5	15.0	28.0	17.8	2.3	3.3	4.3	62MHDFXP	P-SQ-280-180-260-160-FXP
62MHDFX	P-SQ-291-216-270-195-FX	29.125 x 21.62	27 x 19.5	25.5	18.5	29.0	21.4	3.0	3.7	4.7	62MHDFXP	P-SQ-291-216-270-195-FXP
62MHDFX	P-SQ-293-165-278-149-FX	29.25 x 16.5	27.75 x 14.87	25.5	14.0	29.0	16.3	2.3	3.3	4.3	62MHDFXP	P-SQ-293-165-278-149-FXP
62MHDFX	P-SQ-295-145-281-131-FX	29.5(x2) x 14.5	28.125(x2) x 13.125	26.0	12.0	29.5	14.3	2.0	3.2	4.1	62MHDFXP	P-SQ-295-145-281-131-FXP
62MHDFX	P-SQ-295-164-275-145-FX	29.5 x 16.375	27.5 x 14.5	26.0	13.5	29.5	16.1	2.2	3.3	4.3	62MHDFXP	P-SQ-295-164-275-145-FXP
62MHDFX	P-SQ-298-168-275-145-FX	29.75 x 16.75	27.5 x 14.5	26.0	13.5	29.5	16.5	2.2	3.3	4.3	62MHDFXP	P-SQ-298-168-275-145-FXP
62MHDFX	P-SQ-298-178-280-160-FX	29.75 x 17.75	28 x 17.75	26.0	15.0	29.5	17.5	2.5	3.5	4.4	62MHDFXP	P-SQ-298-178-280-160-FXP
62MHDFX	P-SQ-298-220-280-202-FX	29.75 x 22	28 x 20.2	26.0	19.0	29.5	21.8	3.1	3.8	4.9	62MHDFXP	P-SQ-298-220-280-202-FXP
62MHDFX	P-SQ-300-180-285-165-FX	30 x 18	28.5 x 16.5	26.5	15.5	30.0	17.8	2.6	3.6	4.5	62MHDFXP	P-SQ-300-180-285-165-FXP
62MHDFX	P-SQ-300-220-278-198-FX	30 x 22	27.75 x 19.75	26.5	19.0	30.0	21.8	3.2	3.9	4.9	62MHDFXP	P-SQ-300-220-278-198-FXP
62MHDFX	P-SQ-318-198-300-180-FX	19.75 X 31.75	18 X 30	28.0	17.0	31.5	19.5	3.0	3.8	4.9	62MHDFXP	P-SQ-318-198-300-180-FXP
62MHDFX	P-SQ-360-160-333-145-FX	36 x 16	33.25 x 14.5	32.5	13.5	36.0	15.8	2.8	3.9	5.0	62MHDFXP	P-SQ-360-160-333-145-FXP

ULTIMATE BYPASS AREA



REPLACEABLE FILTER BAG
W/ STAINLESS STEEL CLAMPING BAND

NOTES:

1. RATINGS SHOWN ARE FOR STANDARD 22" BAG DEPTH; "SHORT" 12" DEPTH BAGS ARE AVAILABLE WITH -S SUFFIX; RATINGS REDUCED BY ~50%.

2. THE FOLLOWING REQUIRES ADDITIONAL REVIEW

-GRATES WITH EXTENDED BOTTOMS

-ANY OBSTRUCTED INLET OPENINGS

FLEXSTORM
INLET FILTERS
PURE

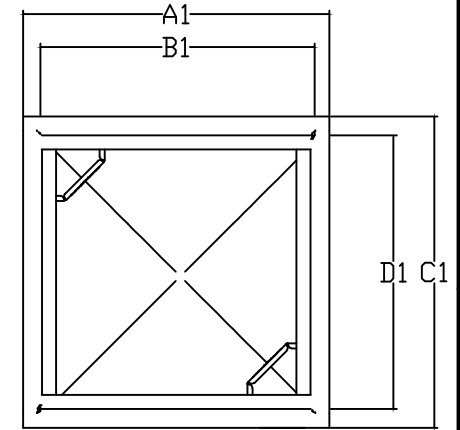
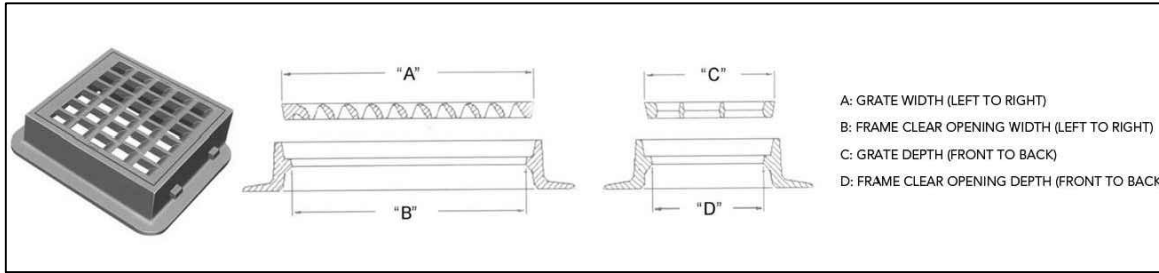
THIS PRINT RELEASED SUBJECT MATTER IN WHICH FLEXSTORM HAS PROPRIETARY RIGHTS, THE RECEIPT OR POSSESSION OF THIS PRINT DOES NOT CONFER, TRANSFER, OR LICENSE THE USE OF THE DESIGN OR TECHNICAL INFORMATION SHOWN HEREIN. REPRODUCTION OF THIS PRINT OR ANY INFORMATION CONTAINED HEREIN, OR MANUFACTURE OF ANY ARTICLE HEREFROM, FOR THE DISSEMINATION TO OTHERS IS PROHIBITED, EXCEPT BY WRITTEN PERMISSION FROM FLEXSTORM. ©2013 ADS, INC.

ALL PRODUCTS MANUFACTURED
BY INLET & PIPE PROTECTION, INC
A DIVISION OF ADS, INC.
WWW.INLETFILTERS.COM
(866) 287-8655 PH
(630) 355-3477 FX
INFO@INLETFILTERS.COM

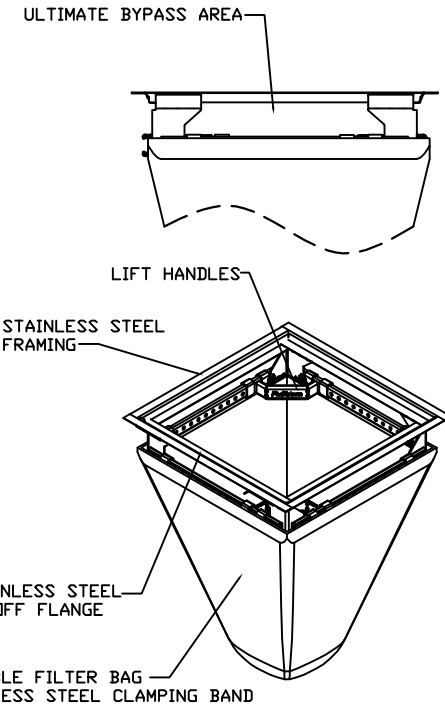
SIZE	FRAME TYPE	DWG NO	REV
C	SQHD4	SQ-62MHD-FX	A
SCALE	SHEET 1 OF 2		

FLEXSTORM P/Ns 62XLHDFX & 62XLHDFXP

FOR SQ INLET TYPE: RAISED CAST IRON FRAME AND FLAT RECTANGULAR/SQUARE GRATE



Pure Frame with FX Bag		Field Inlet Dimensions		Flexstorm Framing Dims				Flexstorm Ratings (50%)			Pure Frame with FX+ Bag	
ADS P/N	Flexstorm Item Code	Grate Size (A x C)	Clear Opening (B x D)	B1	D1	A1	C1	Bag Capacity (ft³)	FX/FX+ Flow Rate (CFS)	Bypass (CFS)	ADS P/N	Flexstorm Item Code
62XLHDFX	P-SQ-478-265-456-244-FX	23.187(x2) x 26.5	45.65 x 24.406	44.0	23.5	47.5	26.3	6.6	2.9	7.3	62XLHDFXP	P-SQ-478-265-456-244-FXP
62XLHDFX	P-SQ-358-355-338-338-FX	35.5 x 35.75	33.75 x 33.75	32.0	32.5	35.5	35.3	6.6	2.7	7.0	62XLHDFXP	P-SQ-358-355-338-338-FXP
62XLHDFX	P-SQ-360-360-340-340-FX	36 x 36	34 x 34	32.5	33.0	36.0	35.8	6.8	2.8	7.1	62XLHDFXP	P-SQ-360-360-340-340-FXP
62XLHDFX	P-SQ-378-378-360-360-FX	37.75 x 37.75	36 x 36	34.0	35.0	37.5	37.5	7.6	2.9	7.4	62XLHDFXP	P-SQ-378-378-360-360-FXP
62XLHDFX	P-SQ-378-378-361-361-FX	37.75 x 37.75	36.125 x 36.125	34.0	35.0	37.5	37.5	7.6	2.9	7.4	62XLHDFXP	P-SQ-378-378-361-361-FXP
62XLHDFX	P-SQ-380-380-360-360-FX	38 x 38	36 x 36	34.5	35.0	38.0	37.8	7.7	2.9	7.5	62XLHDFXP	P-SQ-380-380-360-360-FXP
62XLHDFX	P-SQ-400-251-375-230-FX	40 x 25.125	37.5 x 23	36.5	22.0	40.0	24.9	5.1	2.5	6.3	62XLHDFXP	P-SQ-400-251-375-230-FXP
62XLHDFX	P-SQ-439-439-420-420-FX	43.87 x 43.87	42 x 42	40.5	41.0	44.0	43.6	10.6	3.5	8.8	62XLHDFXP	P-SQ-439-439-420-420-FXP
62XLHDFX	P-SQ-478-218-455-195-FX	47.75 x 21.75 (x2)	45.5 x 19.5 (x2)	44.0	18.5	47.5	21.5	5.2	2.6	6.7	62XLHDFXP	P-SQ-478-218-455-195-FXP
62XLHDFX	P-SQ-478-218-453-200-FX	47.75 x 21.75 (x2)	45.25 x 20 (x2)	44.0	19.0	47.5	21.5	5.3	2.7	6.8	62XLHDFXP	P-SQ-478-218-453-200-FXP
62XLHDFX	P-SQ-478-265-455-243-FX	47.75 x 26.5	45.5 x 24.25	44.0	23.0	47.5	26.3	6.4	2.8	7.2	62XLHDFXP	P-SQ-478-265-455-243-FXP
62XLHDFX	P-SQ-478-265-455-244-FX	23.187(x2) x 26.5	45.5 x 24.25	44.0	23.0	47.5	26.3	6.4	2.8	7.2	62XLHDFXP	P-SQ-478-265-455-244-FXP
62XLHDFX	P-SQ-498-258-480-240-FX	49.75 x 25.75	48 x 24	46.0	23.0	49.5	25.5	6.7	2.9	7.4	62XLHDFXP	P-SQ-498-258-480-240-FXP



*MOST XL SIZED FRAME AND GRATES COMBINATIONS REQUIRE 2 SIDE BY SIDE FLEXSTORM INLET FILTERS. DESIGN AND PRICING REFLECT THIS. PLEASE CONTACT FOR FURTHER DETAILS.

NOTES:

1. RATINGS SHOWN ARE FOR STANDARD 22" BAG DEPTH; "SHORT" 12" DEPTH BAGS ARE AVAILABLE WITH -S SUFFIX; RATINGS REDUCED BY ~50%.

2. THE FOLLOWING REQUIRES ADDITIONAL REVIEW

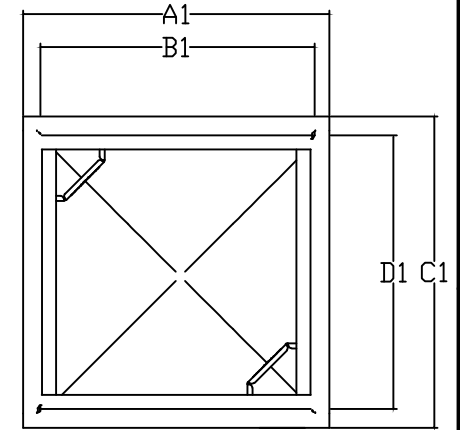
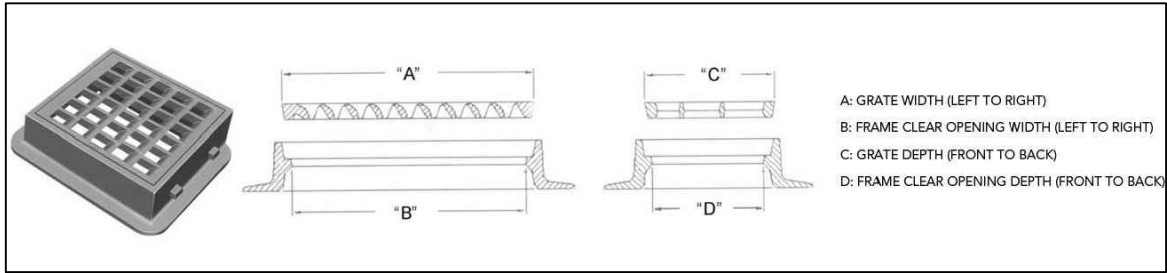
-GRATES WITH EXTENDED BOTTOMS

-ANY OBSTRUCTED INLET OPENINGS

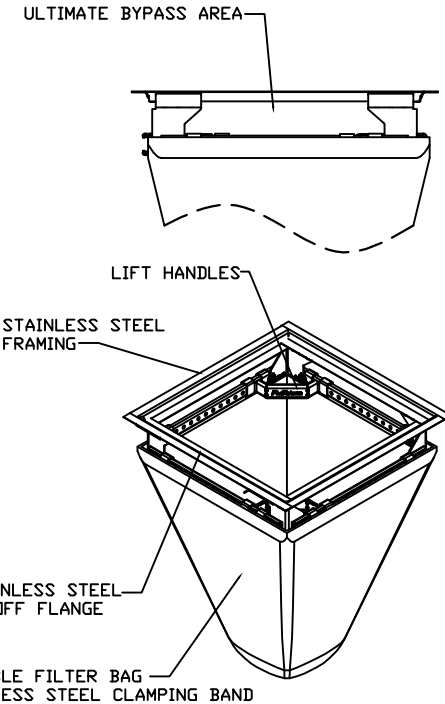
		ALL PRODUCTS MANUFACTURED BY INLET & PIPE PROTECTION, INC A DIVISION OF ADS, INC. WWW.INLETFILTERS.COM (866) 287-8655 PH (630) 355-3477 FX INFO@INLETFILTERS.COM	
THIS PRINT DISCLOSES SUBJECT MATTER IN WHICH FLEXSTORM HAS PROPRIETARY RIGHTS. THE RECEIPT OR POSSESSION OF THIS PRINT DOES NOT CONFER, TRANSFER, OR LICENSE THE USE OF THE DESIGN OR TECHNICAL INFORMATION SHOWN HEREIN. REPRODUCTION OF THIS PRINT OR ANY INFORMATION CONTAINED HEREIN, OR MANUFACTURE OF ANY ARTICLE HEREFROM, FOR THE DISCLOSURE TO OTHERS IS PROHIBITED, EXCEPT BY WRITTEN PERMISSION FROM FLEXSTORM. ©2013 ADS, INC.	SIZE C	FRAME TYPE SQHD4	DWG NO SQ-62XLHD-FX
SCALE			REV A

FLEXSTORM P/Ns 62XLHDFX & 62XLHDFXP

FOR SQ INLET TYPE: RAISED CAST IRON FRAME AND FLAT RECTANGULAR/SQUARE GRATE



Pure Frame with FX Bag		Field Inlet Dimensions		Flexstorm Framing Dims				Flexstorm Ratings (50%)			Pure Frame with FX+ Bag	
ADS P/N	Flexstorm Item Code	Grate Size (A x C)	Clear Opening (B x D)	B1	D1	A1	C1	Bag Capacity (ft³)	FX/FX+ Flow Rate (CFS)	Bypass (CFS)	ADS P/N	Flexstorm Item Code
62XLHDFX	P-SQ-478-265-456-244-FX	23.187(x2) x 26.5	45.65 x 24.406	44.0	23.5	47.5	26.3	6.6	2.9	7.3	62XLHDFXP	P-SQ-478-265-456-244-FXP
62XLHDFX	P-SQ-358-355-338-338-FX	35.5 x 35.75	33.75 x 33.75	32.0	32.5	35.5	35.3	6.6	2.7	7.0	62XLHDFXP	P-SQ-358-355-338-338-FXP
62XLHDFX	P-SQ-360-360-340-340-FX	36 x 36	34 x 34	32.5	33.0	36.0	35.8	6.8	2.8	7.1	62XLHDFXP	P-SQ-360-360-340-340-FXP
62XLHDFX	P-SQ-378-378-360-360-FX	37.75 x 37.75	36 x 36	34.0	35.0	37.5	37.5	7.6	2.9	7.4	62XLHDFXP	P-SQ-378-378-360-360-FXP
62XLHDFX	P-SQ-378-378-361-361-FX	37.75 x 37.75	36.125 x 36.125	34.0	35.0	37.5	37.5	7.6	2.9	7.4	62XLHDFXP	P-SQ-378-378-361-361-FXP
62XLHDFX	P-SQ-380-380-360-360-FX	38 x 38	36 x 36	34.5	35.0	38.0	37.8	7.7	2.9	7.5	62XLHDFXP	P-SQ-380-380-360-360-FXP
62XLHDFX	P-SQ-400-251-375-230-FX	40 x 25.125	37.5 x 23	36.5	22.0	40.0	24.9	5.1	2.5	6.3	62XLHDFXP	P-SQ-400-251-375-230-FXP
62XLHDFX	P-SQ-439-439-420-420-FX	43.87 x 43.87	42 x 42	40.5	41.0	44.0	43.6	10.6	3.5	8.8	62XLHDFXP	P-SQ-439-439-420-420-FXP
62XLHDFX	P-SQ-478-218-455-195-FX	47.75 x 21.75 (x2)	45.5 x 19.5 (x2)	44.0	18.5	47.5	21.5	5.2	2.6	6.7	62XLHDFXP	P-SQ-478-218-455-195-FXP
62XLHDFX	P-SQ-478-218-453-200-FX	47.75 x 21.75 (x2)	45.25 x 20 (x2)	44.0	19.0	47.5	21.5	5.3	2.7	6.8	62XLHDFXP	P-SQ-478-218-453-200-FXP
62XLHDFX	P-SQ-478-265-455-243-FX	47.75 x 26.5	45.5 x 24.25	44.0	23.0	47.5	26.3	6.4	2.8	7.2	62XLHDFXP	P-SQ-478-265-455-243-FXP
62XLHDFX	P-SQ-478-265-455-244-FX	23.187(x2) x 26.5	45.5 x 24.25	44.0	23.0	47.5	26.3	6.4	2.8	7.2	62XLHDFXP	P-SQ-478-265-455-244-FXP
62XLHDFX	P-SQ-498-258-480-240-FX	49.75 x 25.75	48 x 24	46.0	23.0	49.5	25.5	6.7	2.9	7.4	62XLHDFXP	P-SQ-498-258-480-240-FXP



*MOST XL SIZED FRAME AND GRATES COMBINATIONS REQUIRE 2 SIDE BY SIDE FLEXSTORM INLET FILTERS. DESIGN AND PRICING REFLECT THIS. PLEASE CONTACT FOR FURTHER DETAILS.

NOTES:

1. RATINGS SHOWN ARE FOR STANDARD 22" BAG DEPTH; "SHORT" 12" DEPTH BAGS ARE AVAILABLE WITH -S SUFFIX; RATINGS REDUCED BY ~50%.

2. THE FOLLOWING REQUIRES ADDITIONAL REVIEW

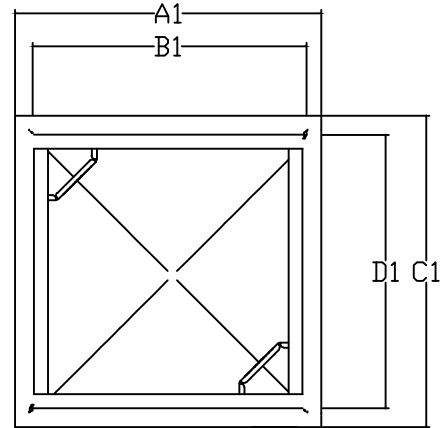
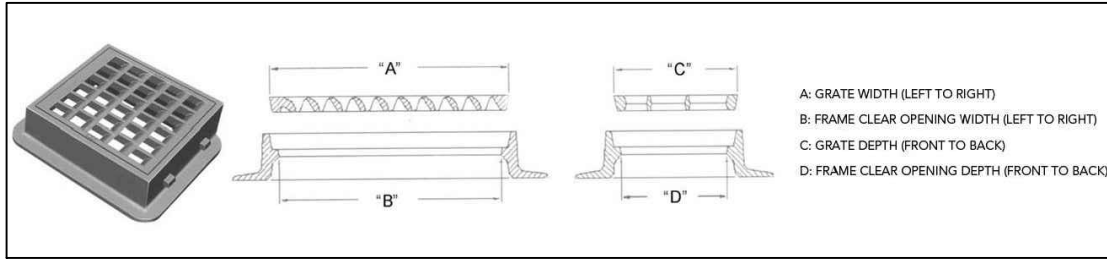
-GRATES WITH EXTENDED BOTTOMS

-ANY OBSTRUCTED INLET OPENINGS

		ALL PRODUCTS MANUFACTURED BY INLET & PIPE PROTECTION, INC A DIVISION OF ADS, INC. WWW.INLETFILTERS.COM (866) 287-8655 PH (630) 355-3477 FX INFO@INLETFILTERS.COM	
		SIZE C FRAME TYPE SQHd4 DWG NO SQ-62XLHD-FX	REV A
THIS PRINT DISCLOSES SUBJECT MATTER IN WHICH FLEXSTORM HAS PROPRIETARY RIGHTS. THE RECEIPT OR POSSESSION OF THIS PRINT DOES NOT CONFER, TRANSFER, OR LICENSE THE USE OF THE DESIGN OR TECHNICAL INFORMATION SHOWN HEREIN. REPRODUCTION OF THIS PRINT OR ANY INFORMATION CONTAINED HEREIN, OR MANUFACTURE OF ANY ARTICLE HEREFROM, FOR THE DISCLOSURE TO OTHERS IS PROHIBITED, EXCEPT BY WRITTEN PERMISSION FROM FLEXSTORM. ©2013 ADS, INC.		SCALE	SHEET 1 OF 1

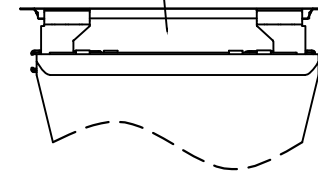
FLEXSTORM P/Ns 62SHDPC & 62SHDPCP

SQ INLET TYPE: RAISED CAST IRON FRAME AND FLAT RECTANGULAR/SQUARE GRATE

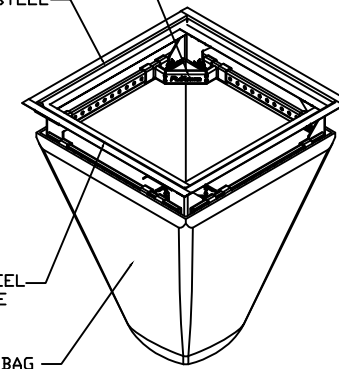


Pure Frame with PC Bag		Field Inlet Dimensions		Flexstorm Framing Dims				Flexstorm Ratings (Flow Rate at 50%)			Pure Frame with PC+ Bag	
ADS P/N	Flexstorm Item Code	Grate Size (A x C)	Clear Opening (B x D)	B1	D1	A1	C1	Bag Capacity (ft ²)	PC/PC+ Flow Rate (CFS)	Bypass (CFS)	ADS P/N	Flexstorm Item Code
62SHDPC	P-SQ-134-134-116-116-PC	13.375 x 13.375	11.62 x 11.62	9.5	10.5	13.0	13.1	0.6	0.7	2.2	62SHDPCP	P-SQ-134-134-116-116-PCP
62SHDPC	P-SQ-180-180-163-163-PC	18 x 18	16.25 x 16.25	14.5	15.0	18.0	17.8	1.4	1.0	3.2	62SHDPCP	P-SQ-180-180-163-163-PCP
62SHDPC	P-SQ-190-130-175-115-PC	19 x 13	17.5 x 11.5	15.5	10.5	19.0	12.8	1.0	0.9	2.8	62SHDPCP	P-SQ-190-130-175-115-PCP
62SHDPC	P-SQ-240-105-223-88-PC	24 x 10.5	22.25 x 8.75	20.5	8.0	24.0	10.3	1.0	0.9	3.1	62SHDPCP	P-SQ-240-105-223-88-PCP

ULTIMATE BYPASS AREA



LIFT HANDLES
STAINLESS STEEL FRAMING



REPLACEABLE FILTER BAG W/ STAINLESS STEEL CLAMPING BAND

NOTES:

1. RATINGS SHOWN ARE FOR STANDARD 22" BAG DEPTH; "SHORT" 12" DEPTH BAGS ARE AVAILABLE WITH -S SUFFIX; RATINGS REDUCED BY ~50%.

2. THE FOLLOWING REQUIRES ADDITIONAL REVIEW

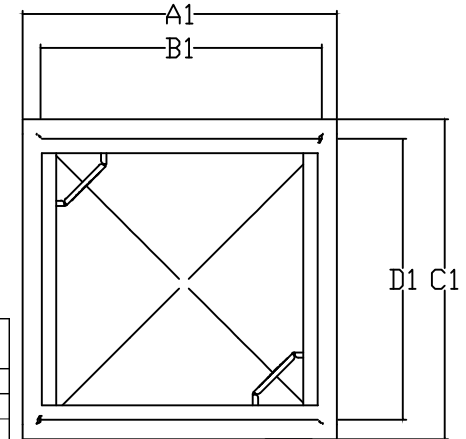
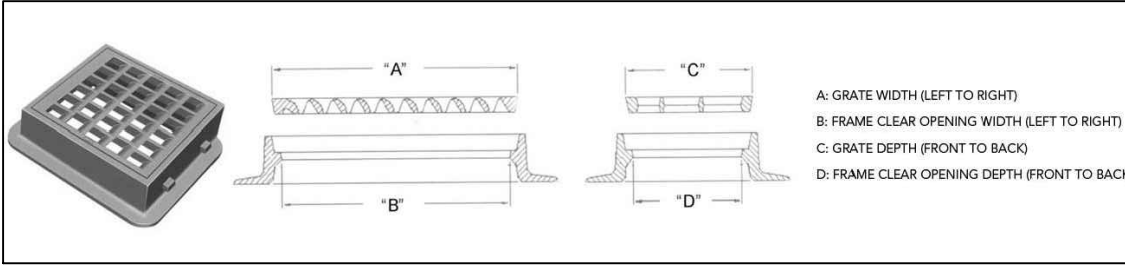
-GRATES WITH EXTENDED BOTTOMS

-ANY OBSTRUCTED INLET OPENINGS

	ALL PRODUCTS MANUFACTURED BY INLET & PIPE PROTECTION, INC A DIVISION OF ADS, INC. WWW.INLETFILTERS.COM (866) 287-8655 PH (630) 355-3477 FX INFO@INLETFILTERS.COM	
	SIZE C	FRAME TYPE SQHD4
<small>THIS PRINT DISCLOSES SUBJECT MATTER IN WHICH FLEXSTORM HAS PROPRIETARY RIGHTS. THE RECEIPT OR POSSESSION OF THIS PRINT DOES NOT CONFER, TRANSFER, OR LICENSE THE USE OF THE DESIGN OR TECHNICAL INFORMATION SHOWN HEREIN. REPRODUCTION OF THIS PRINT OR ANY INFORMATION CONTAINED HEREIN, OR MANUFACTURE OF ANY ARTICLE HEREFROM, FOR THE DISCLOSURE TO OTHERS IS PROHIBITED, EXCEPT BY WRITTEN PERMISSION FROM FLEXSTORM. ©2013 ADS, INC.</small>		SCALE SHEET 1 OF 1

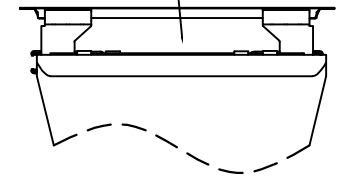
FLEXSTORM P/Ns 62MHDPC & 62MHDPCP

SQ INLET TYPE: RAISED CAST IRON FRAME AND FLAT RECTANGULAR/SQUARE GRATE



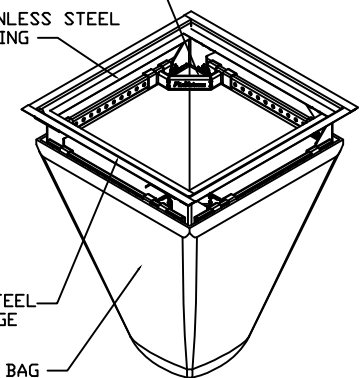
Pure Frame with PC Bag		Field Inlet Dimensions		Flexstorm Framing Dims				Flexstorm Ratings (Flow Rate at 50%)			Pure Frame with PC+ Bag	
ADS P/N	Flexstorm Item Code	Grate Size (A x C)	Clear Opening (B x D)	B1	D1	A1	C1	Bag Capacity (ft³)	PC/PC+ Flow Rate (CFS)	Bypass (CFS)	ADS P/N	Flexstorm Item Code
62MHDPC	P-SQ-180-180-170-170-PC	18 x 18	17 x 17	14.5	16.0	18.0	17.8	1.5	1.0	3.3	62MHDPCP	P-SQ-180-180-170-170-PCP
62MHDPC	P-SQ-198-198-180-180-PC	19.75 x 19.75	18 x 18	16.0	17.0	19.5	19.5	1.7	1.1	3.6	62MHDPCP	P-SQ-198-198-180-180-PCP
62MHDPC	P-SQ-218-148-200-130-PC	21.75 x 14.75	20 x 13	18.0	12.0	21.5	14.5	1.4	1.0	3.2	62MHDPCP	P-SQ-218-148-200-130-PCP
62MHDPC	P-SQ-218-218-196-196-PC	21.75 x 21.75	19.6 x 19.6	18.0	18.5	21.5	21.5	2.1	1.2	3.9	62MHDPCP	P-SQ-218-218-196-196-PCP
62MHDPC	P-SQ-223-223-199-199-PC	22.25 x 22.25	20.125 x 20.125	18.5	19.0	22.0	22.0	2.2	1.2	4.0	62MHDPCP	P-SQ-223-223-199-199-PCP
62MHDPC	P-SQ-223-223-201-201-PC	22.25 x 22.25	20.125 x 20.125	18.5	19.0	22.0	22.0	2.2	1.2	4.0	62MHDPCP	P-SQ-223-223-201-201-PCP
62MHDPC	P-SQ-225-225-207-195-PC	22.5 x 22.5	(2) 20.687 x 19.5	19.0	18.5	22.5	22.3	2.2	1.2	4.0	62MHDPCP	P-SQ-225-225-207-195-PCP
62MHDPC	P-SQ-225-223-203-203-PC	22.5 x 22.25	20.25 x 20.25	19.0	19.0	22.5	22.0	2.3	1.2	4.1	62MHDPCP	P-SQ-225-223-203-203-PCP
62MHDPC	P-SQ-225-225-205-205-PC	22.5 x 22.5	20.5 x 20.5	19.0	19.5	22.5	22.3	2.4	1.2	4.1	62MHDPCP	P-SQ-225-225-205-205-PCP
62MHDPC	P-SQ-228-228-208-208-PC	22.75 x 22.75	20.75 x 20.75	19.0	20.0	22.5	22.5	2.4	1.2	4.2	62MHDPCP	P-SQ-228-228-208-208-PCP
62MHDPC	P-SQ-230-201-205-176-PC	23 x 20.125	20.5 x 17.62	19.5	16.5	23.0	19.9	2.0	1.1	3.9	62MHDPCP	P-SQ-230-201-205-176-PCP
62MHDPC	P-SQ-231-203-205-180-PC	23.1 x 20.25	20.5 x 18	19.5	17.0	23.0	20.0	2.1	1.1	3.9	62MHDPCP	P-SQ-231-203-205-180-PCP
62MHDPC	P-SQ-235-235-220-220-PC	23.5 x 23.5	22 x 22	20.0	21.0	23.5	23.3	2.7	1.3	4.4	62MHDPCP	P-SQ-235-235-220-220-PCP
62MHDPC	P-SQ-236-236-221-221-PC	23.625 x 23.625	22.125 x 22.125	20.0	21.1	23.5	23.4	2.7	1.3	4.4	62MHDPCP	P-SQ-236-236-221-221-PCP
62MHDPC	P-SQ-238-238-220-220-PC	23.75 x 23.75	22 X 22	20.0	21.0	23.5	23.5	2.7	1.3	4.4	62MHDPCP	P-SQ-238-238-220-220-PCP
62MHDPC	P-SQ-239-215-220-198-PC	23.87 x 21.5	22 x 19.75	20.0	19.0	23.5	21.3	2.4	1.2	4.2	62MHDPCP	P-SQ-239-215-220-198-PCP
62MHDPC	P-SQ-239-239-215-223-PC	23.87 x 23.87	21.5 x 22.25	20.0	21.5	23.5	23.6	2.7	1.3	4.5	62MHDPCP	P-SQ-239-239-215-223-PCP
62MHDPC	P-SQ-239-239-220-220-PC	23.87 x 23.87	22 x 22	20.0	21.0	23.5	23.6	2.7	1.3	4.4	62MHDPCP	P-SQ-239-239-220-220-PCP
62MHDPC	P-SQ-239-239-223-223-PC	23.87 x 23.87	22.25 x 22.25	20.0	21.5	23.5	23.6	2.7	1.3	4.5	62MHDPCP	P-SQ-239-239-223-223-PCP
62MHDPC	P-SQ-240-163-223-145-PC	24 x 16.25	22.25 x 14.5	20.5	13.5	24.0	16.0	1.8	1.1	3.7	62MHDPCP	P-SQ-240-163-223-145-PCP
62MHDPC	P-SQ-240-215-220-195-PC	24 x 21.5	22 x 19.5	21.0	18.0	24.5	19.3	2.4	1.2	4.2	62MHDPCP	P-SQ-240-215-220-195-PCP
62MHDPC	P-SQ-240-223-218-205-PC	24 x 22.25	21.75 x 20.5	20.5	19.5	24.0	22.0	2.5	1.3	4.3	62MHDPCP	P-SQ-240-223-218-205-PCP
62MHDPC	P-SQ-240-240-220-220-PC	24 x 24	22 x 22	20.5	21.0	24.0	23.8	2.7	1.3	4.5	62MHDPCP	P-SQ-240-240-220-220-PCP

ULTIMATE BYPASS AREA



LIFT HANDLES

STAINLESS STEEL FRAMING



STAINLESS STEEL RUNOFF FLANGE

REPLACEABLE FILTER BAG W/ STAINLESS STEEL CLAMPING BAND

NOTES:

1. RATINGS SHOWN ARE FOR STANDARD 22" BAG DEPTH; "SHORT" 12" DEPTH BAGS ARE AVAILABLE WITH -S SUFFIX; RATINGS REDUCED BY ~50%.

2. THE FOLLOWING REQUIRES ADDITIONAL REVIEW

-GRATES WITH EXTENDED BOTTOMS

-ANY OBSTRUCTED INLET OPENINGS

FLEXSTORM
INLET FILTERS
PURE

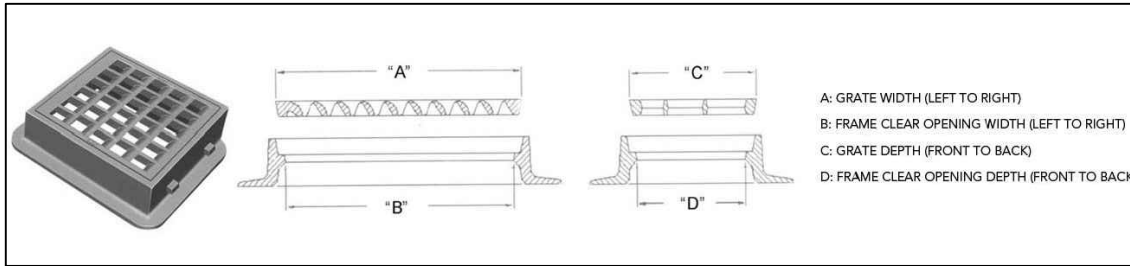
THIS PRINT DISCLOSES SUBJECT MATTER IN WHICH FLEXSTORM HAS PROPRIETARY RIGHTS. THE RECEIPT OR POSSESSION OF THIS PRINT DOES NOT CONFER, TRANSFER, OR LICENSE THE USE OF THE DESIGN OR TECHNICAL INFORMATION SHOWN HEREIN. REPRODUCTION OF THIS PRINT OR ANY INFORMATION CONTAINED HEREIN, OR MANUFACTURE OF ANY ARTICLE HEREFROM, FOR THE DISCLOSURE TO OTHERS IS PROHIBITED, EXCEPT BY WRITTEN PERMISSION FROM FLEXSTORM. ©2013 ADS, INC.

ALL PRODUCTS MANUFACTURED BY INLET & PIPE PROTECTION, INC A DIVISION OF ADS, INC.
WWW.INLETFILTERS.COM
(866) 287-8655 PH
(630) 355-3477 FX
INFO@INLETFILTERS.COM

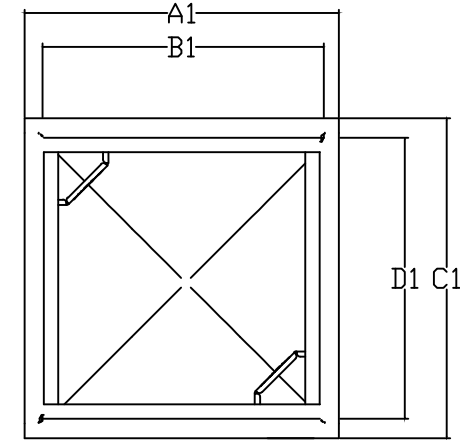
SIZE	FRAME TYPE	DWG NO	REV
C	SQHD4	SQ-62MHD-PC	A
SCALE			SHEET 1 OF 2

FLEXSTORM P/Ns 62MHDPC & 62MHDPCP

SQ INLET TYPE: RAISED CAST IRON FRAME AND FLAT RECTANGULAR/SQUARE GRATE

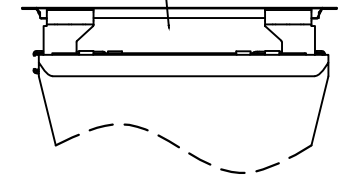


A: GRATE WIDTH (LEFT TO RIGHT)
 B: FRAME CLEAR OPENING WIDTH (LEFT TO RIGHT)
 C: GRATE DEPTH (FRONT TO BACK)
 D: FRAME CLEAR OPENING DEPTH (FRONT TO BACK)



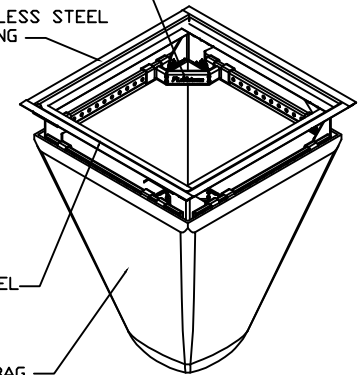
Pure Frame with PC Bag		Field Inlet Dimensions		Flexstorm Framing Dims				Flexstorm Ratings (Flow Rate at 50%)			Pure Frame with PC+ Bag	
ADS P/N	Flexstorm Item Code	Grate Size (A x C)	Clear Opening (B x D)	B1	D1	A1	C1	Bag Capacity (ft ³)	PC/PC+ Flow Rate (CFS)	Bypass (CFS)	ADS P/N	Flexstorm Item Code
62MHDPC	P-SQ-240-240-221-221-PC	24 x 24	22.125 x 22.125	20.5	21.0	24.0	23.8	2.7	1.3	4.5	62MHDPCP	P-SQ-240-240-221-221-PCP
62MHDPC	P-SQ-240-240-228-228-PC	24 x 24	22.75 x 22.75	20.5	22.0	24.0	23.8	2.9	1.4	4.6	62MHDPCP	P-SQ-240-240-228-228-PCP
62MHDPC	P-SQ-253-253-240-240-PC	25.25 x 25.25	24 x 24	21.5	23.0	25.0	25.0	3.1	1.4	4.8	62MHDPCP	P-SQ-253-253-240-240-PCP
62MHDPC	P-SQ-254-140-235-123-PC	25.375 x 14	23.5 x 12.25	21.5	11.0	25.0	13.8	1.5	1.1	3.5	62MHDPCP	P-SQ-254-140-235-123-PCP
62MHDPC	P-SQ-255-255-240-240-PC	25.5 x 25.5	24 X 24	22.0	23.0	25.5	25.3	3.2	1.4	4.9	62MHDPCP	P-SQ-255-255-240-240-PCP
62MHDPC	P-SQ-258-198-240-180-PC	19.75 X 25.75	18 X 24	22.0	17.0	25.5	19.5	2.4	1.2	4.2	62MHDPCP	P-SQ-258-198-240-180-PCP
62MHDPC	P-SQ-258-258-240-240-PC	25.75 X 25.75	24 X 24	22.0	23.0	25.5	25.5	3.2	1.4	4.9	62MHDPCP	P-SQ-258-258-240-240-PCP
62MHDPC	P-SQ-260-180-240-160-PC	26 x 18	24 x 16	22.5	15.0	26.0	17.8	2.1	1.2	4.0	62MHDPCP	P-SQ-260-180-240-160-PCP
62MHDPC	P-SQ-260-260-240-240-PC	26 x 26	24 x 24	22.5	23.0	26.0	25.8	3.3	1.4	4.9	62MHDPCP	P-SQ-260-260-240-240-PCP
62MHDPC	P-SQ-264-144-240-121-PC	26.375 x 14.375	24 x 12.125	22.5	11.0	26.0	14.1	1.6	1.1	3.6	62MHDPCP	P-SQ-264-144-240-121-PCP
62MHDPC	P-SQ-268-163-248-145-PC	26.75 x 16.25	14.5 x 24.75	23.0	13.5	26.5	16.0	2.0	1.2	3.9	62MHDPCP	P-SQ-268-163-248-145-PCP
62MHDPC	P-SQ-268-198-245-175-PC	26.75 x 19.75	24.5 x 17.5	23.0	16.5	26.5	19.5	2.4	1.2	4.3	62MHDPCP	P-SQ-268-198-245-175-PCP
62MHDPC	P-SQ-280-180-260-160-PC	28 x 18	26 x 16	24.5	15.0	28.0	17.8	2.3	1.2	4.3	62MHDPCP	P-SQ-280-180-260-160-PCP
62MHDPC	P-SQ-291-216-270-195-PC	29.125 x 21.62	27 x 19.5	25.5	18.5	29.0	21.4	3.0	1.4	4.7	62MHDPCP	P-SQ-291-216-270-195-PCP
62MHDPC	P-SQ-293-165-278-149-PC	29.25 x 16.5	27.75 x 14.87	25.5	14.0	29.0	16.3	2.3	1.3	4.3	62MHDPCP	P-SQ-293-165-278-149-PCP
62MHDPC	P-SQ-295-145-281-131-PC	29.5(x2) x 14.5	28.125(x2) x 13.125	26.0	12.0	29.5	14.3	2.0	1.2	4.1	62MHDPCP	P-SQ-295-145-281-131-PCP
62MHDPC	P-SQ-295-164-275-145-PC	29.5 x 16.375	27.5 x 14.5	26.0	13.5	29.5	16.1	2.2	1.2	4.3	62MHDPCP	P-SQ-295-164-275-145-PCP
62MHDPC	P-SQ-298-168-275-145-PC	29.75 x 16.75	27.5 x 14.5	26.0	13.5	29.5	16.5	2.2	1.2	4.3	62MHDPCP	P-SQ-298-168-275-145-PCP
62MHDPC	P-SQ-298-178-280-160-PC	29.75 x 17.75	28 x 17.75	26.0	15.0	29.5	17.5	2.5	1.3	4.4	62MHDPCP	P-SQ-298-178-280-160-PCP
62MHDPC	P-SQ-298-220-280-202-PC	29.75 x 22	28 x 20.2	26.0	19.0	29.5	21.8	3.1	1.4	4.9	62MHDPCP	P-SQ-298-220-280-202-PCP
62MHDPC	P-SQ-300-180-285-165-PC	30 x 18	28.5 x 16.5	26.5	15.5	30.0	17.8	2.6	1.3	4.5	62MHDPCP	P-SQ-300-180-285-165-PCP
62MHDPC	P-SQ-300-220-278-198-PC	30 x 22	27.75 x 19.75	26.5	19.0	30.0	21.8	3.2	1.4	4.9	62MHDPCP	P-SQ-300-220-278-198-PCP
62MHDPC	P-SQ-318-198-300-180-PC	19.75 X 31.75	18 X 30	28.0	17.0	31.5	19.5	3.0	1.4	4.9	62MHDPCP	P-SQ-318-198-300-180-PCP
62MHDPC	P-SQ-360-160-333-145-PC	36 x 16	33.25 x 14.5	32.5	13.5	36.0	15.8	2.8	1.4	5.0	62MHDPCP	P-SQ-360-160-333-145-PCP

ULTIMATE BYPASS AREA



LIFT HANDLES

STAINLESS STEEL FRAMING



STAINLESS STEEL RUNOFF FLANGE

REPLACEABLE FILTER BAG W/ STAINLESS STEEL CLAMPING BAND

NOTES:

1. RATINGS SHOWN ARE FOR STANDARD 22" BAG DEPTH; "SHORT" 12" DEPTH BAGS ARE AVAILABLE WITH -S SUFFIX; RATINGS REDUCED BY ~50%.

2. THE FOLLOWING REQUIRES ADDITIONAL REVIEW

-GRATES WITH EXTENDED BOTTOMS

-ANY OBSTRUCTED INLET OPENINGS

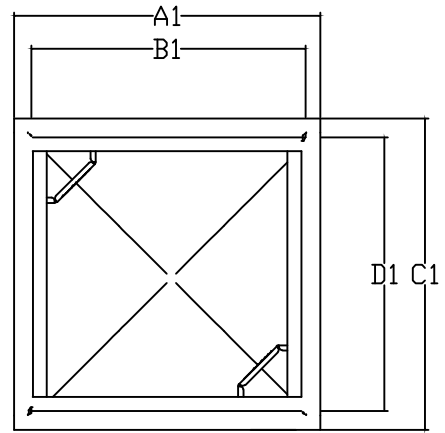
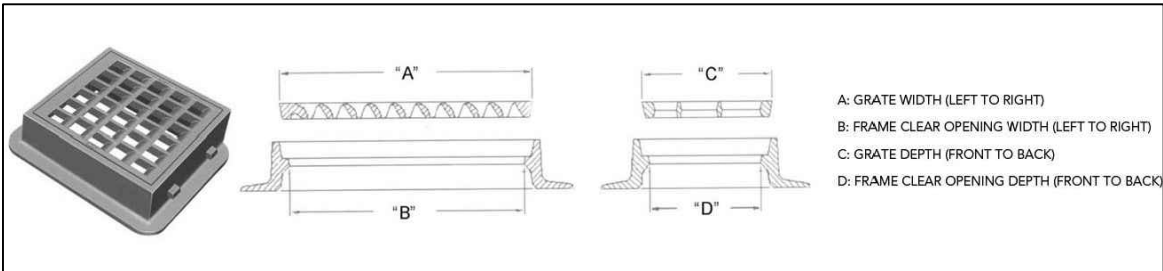
FLEXSTORM
INLET FILTERS
PURE

ALL PRODUCTS MANUFACTURED BY INLET & PIPE PROTECTION, INC A DIVISION OF ADS, INC.
 WWW.INLETFILTERS.COM
 (866) 287-8655 PH
 (630) 355-3477 FX
 INFO@INLETFILTERS.COM

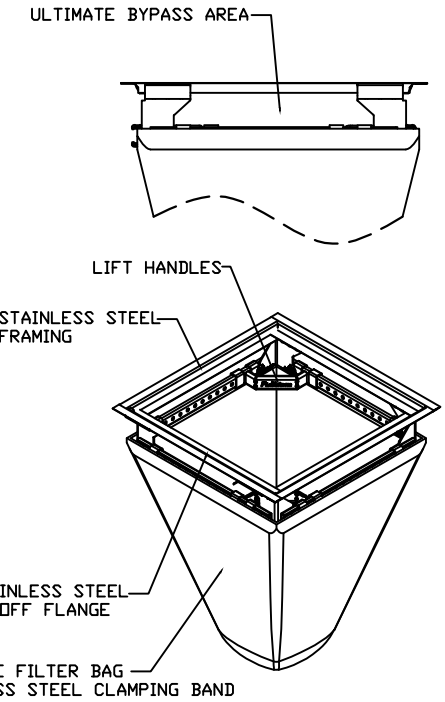
THIS PRINT DISCLOSES SUBJECT MATTER IN WHICH FLEXSTORM HAS PROPRIETARY RIGHTS. THE RECEIPT OR POSSESSION OF THIS PRINT DOES NOT CONFER, TRANSFER, OR LICENSE THE USE OF THE DESIGN OR TECHNICAL INFORMATION SHOWN HEREIN. REPRODUCTION OF THIS PRINT OR ANY INFORMATION CONTAINED HEREIN, OR MANUFACTURE OF ANY ARTICLE HEREFROM, FOR THE DISCLOSURE TO OTHERS IS PROHIBITED, EXCEPT BY WRITTEN PERMISSION FROM FLEXSTORM. ©2013 ADS, INC.	SIZE C	FRAME TYPE SQHD4	DWG NO SQ-62MHD-PC	REV A
SCALE	SHEET 2 OF 2			

FLEXSTORM P/Ns 62LHDPC & 62LHDPCP

SQ INLET TYPE: RAISED CAST IRON FRAME AND FLAT RECTANGULAR/SQUARE GRATE



Pure Frame with PC Bag		Field Inlet Dimensions		Flexstorm Framing Dims				Flexstorm Ratings (Flow Rate at 50%)			Pure Frame with PC+ Bag	
ADS P/N	Flexstorm Item Code	Grate Size (A x C)	Clear Opening (B x D)	B1	D1	A1	C1	Bag Capacity (ft ³)	PC/PC+ Flow Rate (CFS)	Bypass (CFS)	ADS P/N	Flexstorm Item Code
62LHDPC	P-SQ-270-270-250-250-PC	27 x 27	25 x 25	23.5	24.0	27.0	26.8	3.6	1.5	5.1	62LHDPCP	P-SQ-270-270-250-250-PCP
62LHDPC	P-SQ-280-280-260-260-PC	28 x 28	26 x 26	24.5	25.0	28.0	27.8	3.9	1.5	5.3	62LHDPCP	P-SQ-280-280-260-260-PCP
62LHDPC	P-SQ-298-298-280-280-PC	29.75 x 29.75	28 x 28	26.0	27.0	29.5	29.5	4.5	1.7	5.7	62LHDPCP	P-SQ-298-298-280-280-PCP
62LHDPC	P-SQ-300-230-280-210-PC	30 x 23	28 x 21	26.5	20.0	30.0	22.8	3.4	1.5	5.0	62LHDPCP	P-SQ-300-230-280-210-PCP
62LHDPC	P-SQ-313-258-301-241-PC	25.75x 31.25	24.125 X 30.125	27.5	23.1	31.0	25.5	4.0	1.6	5.5	62LHDPCP	P-SQ-313-258-301-241-PCP
62LHDPC	P-SQ-313-313-300-300-PC	31.25 x 31.25	30 x 30	27.5	29.0	31.0	31.0	5.1	1.8	6.1	62LHDPCP	P-SQ-313-313-300-300-PCP
62LHDPC	P-SQ-315-214-300-196-PC	31.5 x 21.4	30 x 19.6	28.0	18.5	31.5	21.2	3.3	1.5	5.0	62LHDPCP	P-SQ-315-214-300-196-PCP
62LHDPC	P-SQ-315-315-300-300-PC	31.5 x 31.5	30 x 30	28.0	29.0	31.5	31.3	5.2	1.8	6.1	62LHDPCP	P-SQ-315-315-300-300-PCP
62LHDPC	P-SQ-318-318-301-301-PC	31.75 X 31.75	30.125 X 30.125	28.0	29.0	31.5	31.5	5.2	1.8	6.1	62LHDPCP	P-SQ-318-318-301-301-PCP
62LHDPC	P-SQ-319-319-300-300-PC	31.87 X 31.87	30 X 30	28.0	29.0	31.5	31.6	5.2	1.8	6.1	62LHDPCP	P-SQ-319-319-300-300-PCP
62LHDPC	P-SQ-320-320-300-300-PC	32 x 32	30 x 30	28.5	29.0	32.0	31.8	5.3	1.8	6.2	62LHDPCP	P-SQ-320-320-300-300-PCP
62LHDPC	P-SQ-345-205-320-180-PC	34.5 x 20.5	32 x 18	31.0	17.0	34.5	20.3	3.4	1.5	5.2	62LHDPCP	P-SQ-345-205-320-180-PCP
62LHDPC	P-SQ-350-240-325-215-PC	35 x 24	32.5 x 21.5	31.5	20.5	35.0	23.8	4.1	1.6	5.6	62LHDPCP	P-SQ-350-240-325-215-PCP
62LHDPC	P-SQ-353-178-330-155-PC	35.25 x 17.75	33 x 15.5	31.5	14.5	35.0	17.5	2.9	1.4	5.0	62LHDPCP	P-SQ-353-178-330-155-PCP
62LHDPC	P-SQ-356-275-332-253-PC	35.56 x 27.5	33.25 x 25.25	32.0	24.0	35.5	27.3	4.9	1.7	6.0	62LHDPCP	P-SQ-356-275-332-253-PCP
62LHDPC	P-SQ-356-279-332-252-PC	35.62 x 27.87	33.25 x 25.187	32.0	24.0	35.5	27.6	4.9	1.7	6.0	62LHDPCP	P-SQ-356-279-332-252-PCP
62LHDPC	P-SQ-358-238-340-220-PC	23.75 X 35.75	22 X 34	32.0	21.0	35.5	23.5	4.3	1.7	5.7	62LHDPCP	P-SQ-358-238-340-220-PCP
62LHDPC	P-SQ-359-275-340-258-PC	35.87 x 27.5	34 x 25.75	32.0	24.5	35.5	27.3	5.0	1.8	6.1	62LHDPCP	P-SQ-359-275-340-258-PCP
62LHDPC	P-SQ-360-200-340-180-PC	36 x 20	34 x 18	32.5	17.0	36.0	19.8	3.5	1.5	5.3	62LHDPCP	P-SQ-360-200-340-180-PCP
62LHDPC	P-SQ-360-240-340-220-PC	36 x 24	34 x 22	32.5	21.0	36.0	23.8	4.3	1.7	5.8	62LHDPCP	P-SQ-360-240-340-220-PCP
62LHDPC	P-SQ-360-240-341-229-PC	36 x 24	34.125 x 22.87	32.5	21.9	36.0	23.8	4.5	1.7	5.9	62LHDPCP	P-SQ-360-240-341-229-PCP
62LHDPC	P-SQ-360-240-345-225-PC	36 x 24	34.5 x 22.5	32.5	21.5	36.0	23.8	4.4	1.7	5.8	62LHDPCP	P-SQ-360-240-345-225-PCP
62LHDPC	P-SQ-364-225-350-211-PC	36.375 x 22.5	35 x 21.125	32.5	20.0	36.0	22.3	4.1	1.7	5.7	62LHDPCP	P-SQ-364-225-350-211-PCP
62LHDPC	P-SQ-378-198-360-180-PC	19.75X 37.75	36 X 18	34.0	17.0	37.5	19.5	3.7	1.6	5.5	62LHDPCP	P-SQ-378-198-360-180-PCP
62LHDPC	P-SQ-380-169-364-151-PC	19(x2) x 16.87	36.375 x 15.125	34.5	14.0	38.0	16.6	3.1	1.5	5.2	62LHDPCP	P-SQ-380-169-364-151-PCP
62LHDPC	P-SQ-380-260-360-240-PC	38 x 26	36 x 24	34.5	23.0	38.0	25.8	5.1	1.8	6.2	62LHDPCP	P-SQ-380-260-360-240-PCP
62LHDPC	P-SQ-383-170-356-150-PC	38.25 x 17	35.6 x 15	34.5	14.0	38.0	16.8	3.1	1.5	5.2	62LHDPCP	P-SQ-383-170-356-150-PCP
62LHDPC	P-SQ-393-224-379-210-PC	39.25 x 22.43	37.87 x 21	36.5	20.0	39.0	22.2	4.5	1.7	6.0	62LHDPCP	P-SQ-393-224-379-210-PCP
62LHDPC	P-SQ-395-229-379-210-PC	39.5 x 22.87	37.87 x 21	36.0	20.0	39.5	22.6	4.6	1.7	6.0	62LHDPCP	P-SQ-395-229-379-210-PCP
62LHDPC	P-SQ-478-265-456-244-PC	23.187(x2) x 26.5	45.65 x 24.406	44.0	23.5	47.5	26.3	6.6	2.1	7.3	62LHDPCP	P-SQ-478-265-456-244-PCP



NOTES:

- RATINGS SHOWN ARE FOR STANDARD 22" BAG DEPTH; "SHORT" 12" DEPTH BAGS ARE AVAILABLE WITH -S SUFFIX; RATINGS REDUCED BY ~50%.
- THE FOLLOWING REQUIRES ADDITIONAL REVIEW
 - GRATES WITH EXTENDED BOTTOMS
 - ANY OBSTRUCTED INLET OPENINGS

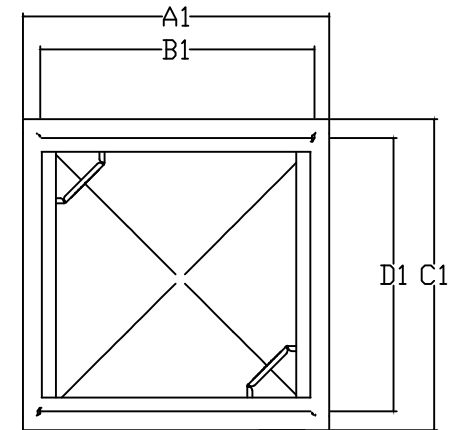
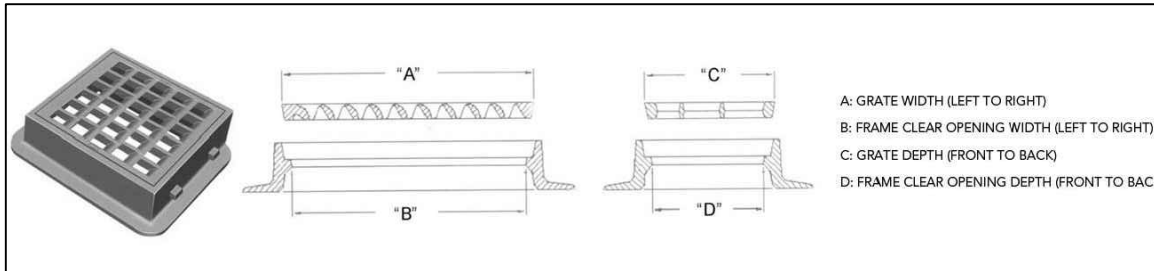
ALL PRODUCTS MANUFACTURED BY INLET & PIPE PROTECTION, INC A DIVISION OF ADS, INC.
 WWW.INLETFILTERS.COM
 (866) 287-8655 PH
 (630) 355-3477 FX
 INFO@INLETFILTERS.COM

SIZE	FRAME TYPE	DWG NO	REV
C	SQHD4	SQ-62LHD-PC	A

THIS PRINT DISCLOSES SUBJECT MATTER IN WHICH FLEXSTORM HAS PROPRIETARY RIGHTS. THE RECEIPT OR POSSESSION OF THIS PRINT DOES NOT CONFER, TRANSFER, OR LICENSE THE USE OF THE DESIGN OR TECHNICAL INFORMATION SHOWN HEREIN. REPRODUCTION OF THIS PRINT OR ANY INFORMATION CONTAINED HEREIN, OR MANUFACTURE OF ANY ARTICLE HEREFROM, FOR THE DISCLOSURE TO OTHERS IS PROHIBITED, EXCEPT BY WRITTEN PERMISSION FROM FLEXSTORM. ©2013 ADS, INC.

FLEXSTORM P/Ns 62XLHDPC & 62XLHDPCP

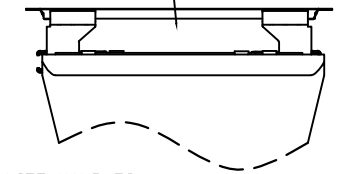
SQ INLET TYPE: RAISED CAST IRON FRAME AND FLAT RECTANGULAR/SQUARE GRATE



Pure Frame with PC Bag		Field Inlet Dimensions		Flexstorm Framing Dims				Flexstorm Ratings (50%)			Pure Frame with PC+ Bag	
ADS P/N	Flexstorm Item Code	Grate Size (A x C)	Clear Opening (B x D)	B1	D1	A1	C1	Bag Capacity (ft ³)	PC/PC+ Flow Rate (CFS)	Bypass (CFS)	ADS P/N	Flexstorm Item Code
62XLHDPC	P-SQ-358-355-338-338-PC	35.5 x 35.75	33.75 x 33.75	32.0	32.5	35.5	35.3	6.6	2.0	7.0	62XLHDPCP	P-SQ-358-355-338-338-PCP
62XLHDPC	P-SQ-360-360-340-340-PC	36 x 36	34 x 34	32.5	33.0	36.0	35.8	6.8	2.0	7.1	62XLHDPCP	P-SQ-360-360-340-340-PCP
62XLHDPC	P-SQ-378-378-360-360-PC	37.75 x 37.75	36 x 36	34.0	35.0	37.5	37.5	7.6	2.1	7.4	62XLHDPCP	P-SQ-378-378-360-360-PCP
62XLHDPC	P-SQ-378-378-361-361-PC	37.75 x 37.75	36.125 x 36.125	34.0	35.0	37.5	37.5	7.6	2.1	7.4	62XLHDPCP	P-SQ-378-378-361-361-PCP
62XLHDPC	P-SQ-380-380-360-360-PC	38 x 38	36 x 36	34.5	35.0	38.0	37.8	7.7	2.1	7.5	62XLHDPCP	P-SQ-380-380-360-360-PCP
62XLHDPC	P-SQ-400-251-375-230-PC	40 x 25.125	37.5 x 23	36.5	22.0	40.0	24.9	5.1	1.8	6.3	62XLHDPCP	P-SQ-400-251-375-230-PCP
62XLHDPC	P-SQ-439-439-420-420-PC	43.87 x 43.87	42 x 42	40.5	41.0	44.0	43.6	10.6	2.5	8.8	62XLHDPCP	P-SQ-439-439-420-420-PCP
62XLHDPC	P-SQ-478-218-455-195-PC	47.75 x (x21.75)	45.5 x 19.5(x2)	44.0	18.5	47.5	21.5	5.2	1.9	6.7	62XLHDPCP	P-SQ-478-218-455-195-PCP
62XLHDPC	P-SQ-478-218-453-200-PC	47.75 x 21.75 (x2)	45.25 x 20 (x2)	44.0	19.0	47.5	21.5	5.3	1.9	6.8	62XLHDPCP	P-SQ-478-218-453-200-PCP
62XLHDPC	P-SQ-478-265-455-243-PC	47.75 x 26.5	45.5 x 24.25	44.0	23.0	47.5	26.3	6.4	2.1	7.2	62XLHDPCP	P-SQ-478-265-455-243-PCP
62XLHDPC	P-SQ-478-265-455-244-PC	23.187(x2) x 26.5	45.5 x 24.25	44.0	23.0	47.5	26.3	6.4	2.1	7.2	62XLHDPCP	P-SQ-478-265-455-244-PCP
62XLHDPC	P-SQ-498-258-480-240-PC	49.75 x 25.75	48 x 24	46.0	23.0	49.5	25.5	6.7	2.1	7.4	62XLHDPCP	P-SQ-498-258-480-240-PCP

*MOST XL SIZED FRAME AND GRATES COMBINATIONS REQUIRE 2 SIDE BY SIDE FLEXSTORM INLET FILTERS. DESIGN AND PRICING REFLECT THIS. PLEASE CONTACT FOR FURTHER DETAILS.

ULTIMATE BYPASS AREA

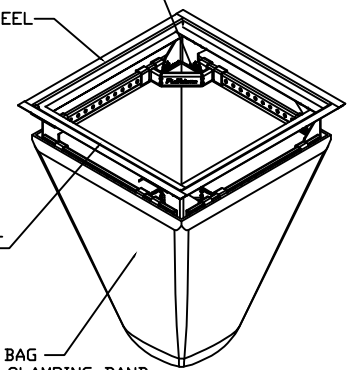


LIFT HANDLES

STAINLESS STEEL FRAMING

STAINLESS STEEL RUNOFF FLANGE

REPLACEABLE FILTER BAG W/ STAINLESS STEEL CLAMPING BAND



NOTES:

1. RATINGS SHOWN ARE FOR STANDARD 22" BAG DEPTH; "SHORT" 12" DEPTH BAGS ARE AVAILABLE WITH -S SUFFIX; RATINGS REDUCED BY ~50%.

2. THE FOLLOWING REQUIRES ADDITIONAL REVIEW

- GRATES WITH EXTENDED BOTTOMS
- ANY OBSTRUCTED INLET OPENINGS

FLEXSTORM
INLET FILTERS
PURE

ALL PRODUCTS MANUFACTURED BY INLET & PIPE PROTECTION, INC A DIVISION OF ADS, INC.
 WWW.INLETFILTERS.COM
 (866) 287-8655 PH
 (630) 355-3477 FX
 INFO@INLETFILTERS.COM

SIZE	FRAME TYPE	DWG NO	REV
C	SQHD4	SQ-62XLHD-PC	A
SCALE	SHEET 1 OF 1		

THIS PRINT DISCLOSES SUBJECT MATTER IN WHICH FLEXSTORM HAS PROPRIETARY RIGHTS. THE RECEIPT OR POSSESSION OF THIS PRINT DOES NOT CONFER, TRANSFER, OR LICENSE THE USE OF THE DESIGN OR TECHNICAL INFORMATION SHOWN HEREIN. REPRODUCTION OF THIS PRINT OR ANY INFORMATION CONTAINED HEREIN, OR MANUFACTURE OF ANY ARTICLE HEREFROM, FOR THE DISCLOSURE TO OTHERS IS PROHIBITED, EXCEPT BY WRITTEN PERMISSION FROM FLEXSTORM. ©2013 ADS, INC.