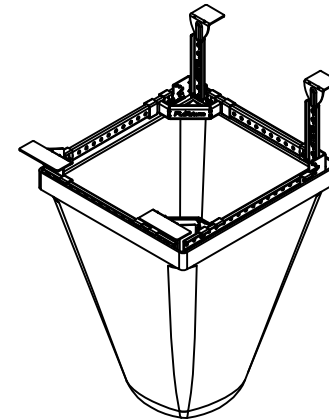
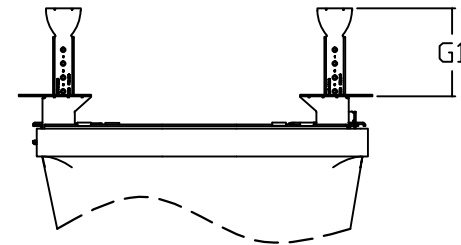
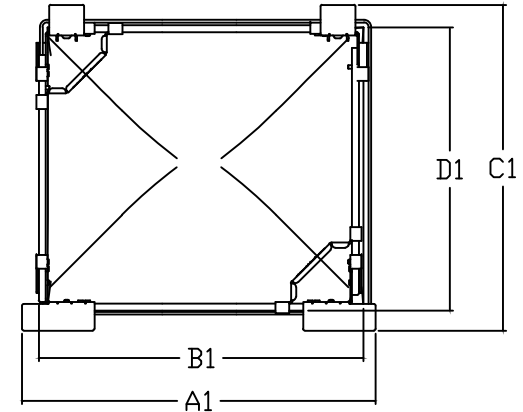
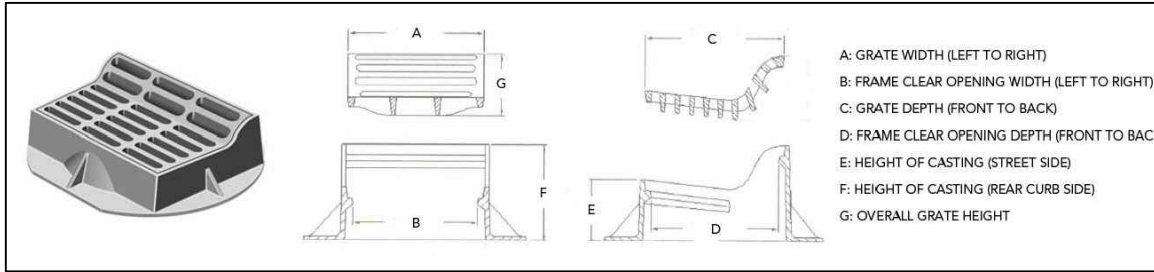


FLEXSTORM P/Ns 62'-'SQFX

INLET TYPE: RAISED CAST IRON FRAME WITH ROLLED CURB GRATE



Catch-It Frame with FX Bag		Field Inlet Dimensions		Flexstorm Framing Dims				Flexstorm Ratings (Flow at 50% max)		
ADS P/N	Flexstorm Item code	Grate Size (A x C)	Clear Opening (B x D)	B1	D1	A1	C1	Bag Capacity (ft³)	FX/FX+ Flow Rate (CFS)	Bypass (CFS)
62MSQFX	P-SQRC-198-180-178-166-FX	19.75 x 18.62	17.75 x 16.62	16.0	15.5	19.5	17.8	1.6	1.3	3.0
62MSQFX	P-SQRC-223-186-203-143-FX	22.25 x 18.62	20.25 x 14.25	18.5	13.5	22.0	18.4	1.6	1.4	3.1
62MSQFX	P-SQRC-225-163-195-150-FX	22.5 x 16.25	19.5 x 15	19.0	14.0	22.5	16.0	1.7	1.4	3.2
62MSQFX	P-SQRC-230-160-215-150-FX	23 X 16	21.5 X 15	19.5	14.0	23.0	15.8	1.7	1.4	3.2
62MSQFX	P-SQRC-223-163-210-160-FX	22.25 x 16.25	21 x 16	18.5	15.0	22.0	16.0	1.8	1.4	3.2
62MSQFX	P-SQRC-243-168-223-148-FX	24.25 x 16.75	22.25 x 14.75	20.5	14.0	24.0	16.5	1.8	1.5	3.3
62MSQFX	P-SQRC-223-186-203-200-FX	22.25 x 18.62	20.25 x 20	18.5	19.0	22.0	18.4	2.2	1.6	3.6
62MSQFX	P-SQRC-223-186-203-200-FX	22.25 x 18.625	20.25 x 20	18.5	19.0	22.0	18.4	2.2	1.6	3.6
62MSQFX	P-SQRC-223-186-203-200-FX	22.25 x 18.625	20.25 x 20	18.5	19.0	22.0	18.4	2.2	1.6	3.6
62MSQFX	P-SQRC-258-188-240-170-FX	25.75 x 18.75	24 x 17	22.0	16.0	25.5	18.5	2.2	1.6	3.7
62MSQFX	P-SQRC-257-190-236-180-FX	25.7 x 19	23.6 x 18	22.0	17.0	25.5	18.8	2.4	1.7	3.8
62MSQFX	P-SQRC-257-190-236-180-FX	25.7 x 19	23.6 x 18	22.0	17.0	25.5	18.8	2.4	1.7	3.8
62MSQFX	P-SQRC-243-233-221-200-FX	24.25 x 23.25	22.125 x 20	20.5	19.0	24.0	23.0	2.5	1.7	3.8
62MSQFX	P-SQRC-243-235-221-200-FX	24.25 x 23.5	22.125 x 20	20.5	19.0	24.0	23.3	2.5	1.7	3.8
62MSQFX	P-SQRC-243-235-221-200-FX	24.25 x 23.5	22.125 x 20	20.5	19.0	24.0	23.3	2.5	1.7	3.8
62MSQFX	P-SQRC-288-173-269-153-FX	28.75 x 17.25	26.9 x 15.3	25.0	14.5	28.5	17.0	2.3	1.7	3.8
62MSQFX	P-SQRC-288-173-269-153-FX	28.75 x 17.25	26.9 x 15.3	25.0	14.5	28.5	17.0	2.3	1.7	3.8
62MSQFX	P-SQRC-228-220-220-203-FX	22.75 x 22	22 x 20.25	19.0	19.5	22.5	21.8	2.4	1.6	3.7
62MSQFX	P-SQRC-223-223-200-FX	22.5 x 22.25	22.25 x 20	18.5	19.0	22.0	22.0	2.2	1.6	3.6
62MSQFX	P-SQRC-233-233-213-213-FX	23.25 X 23.25	21.25 X 21.25	19.5	20.5	23.0	23.0	2.5	1.7	3.9
62MSQFX	P-SQRC-261-223-235-195-FX	26.1 x 22.25	23.5 x 19.5	22.5	18.5	26.0	22.0	2.6	1.7	4.0
62MSQFX	P-SQRC-265-225-245-198-FX	26.5 x 22.5	24.5 x 19.75	23.0	19.0	26.5	22.3	2.8	1.8	4.0
62MSQFX	P-SQRC-260-235-260-215-FX	26 x 23.5	26.1 x 21.5	22.5	20.5	26.0	23.3	2.9	1.8	4.1
62MSQFX	P-SQRC-260-235-261-215-FX	26 x 23.5	26.1 x 21.5	22.5	20.5	26.0	23.3	2.9	1.8	4.1
62LSQFX	P-SQRC-281-240-261-220-FX	28.1 x 24	26.1 x 22	24.5	21.0	28.0	23.8	3.3	1.9	4.4
62LSQFX	P-SQRC-250-240-250-240-FX	25 x 24	25 x 24	21.5	23.0	25.0	23.8	3.1	1.9	4.3
62LSQFX	P-SQRC-318-288-298-268-FX	31.75 X 28.75	29.75 X 26.75	28.0	26.0	31.5	28.5	4.6	2.3	5.2

NOTES:

1. RATINGS SHOWN ARE FOR STANDARD 22" BAG DEPTH; "SHORT" 12" DEPTH BAGS ARE AVAILABLE WITH -S SUFFIX; RATINGS REDUCED BY ~50%.

2. THE FOLLOWING REQUIRES ADDITIONAL REVIEW

- GRATES WITH EXTENDED BOTTOMS
- ANY OBSTRUCTED INLET OPENINGS

FLEXSTORM
INLET FILTERS
CATCH-IT

THIS PRINT DISCLOSES SUBJECT MATTER IN WHICH FLEXSTORM HAS PROPRIETARY RIGHTS. THE RECEIPT OR POSSESSION OF THIS PRINT DOES NOT CONFER, TRANSFER, OR LICENSE THE USE OF THE DESIGN OR TECHNICAL INFORMATION SHOWN HEREIN. REPRODUCTION OF THIS PRINT OR ANY INFORMATION CONTAINED HEREIN, OR MANUFACTURE OF ANY ARTICLE HEREFROM, FOR THE DISCLOSURE TO OTHERS IS PROHIBITED, EXCEPT BY WRITTEN PERMISSION FROM FLEXSTORM. ©2013 ADS, INC.

ALL PRODUCTS MANUFACTURED BY INLET & PIPE PROTECTION, INC A DIVISION OF ADS, INC.
WWW.INLETFILTERS.COM
(866) 287-8655 PH
(630) 355-3477 FX
INFO@INLETFILTERS.COM

SIZE	FRAME TYPE	DWG NO	REV
C	SQRC	SQRC-62HD-FX	A
SCALE	SHEET 1 OF 1		