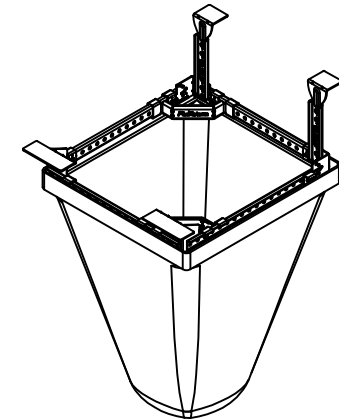
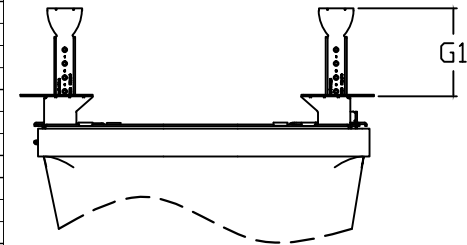
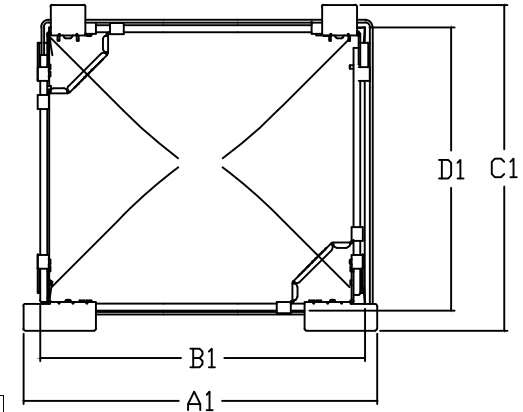
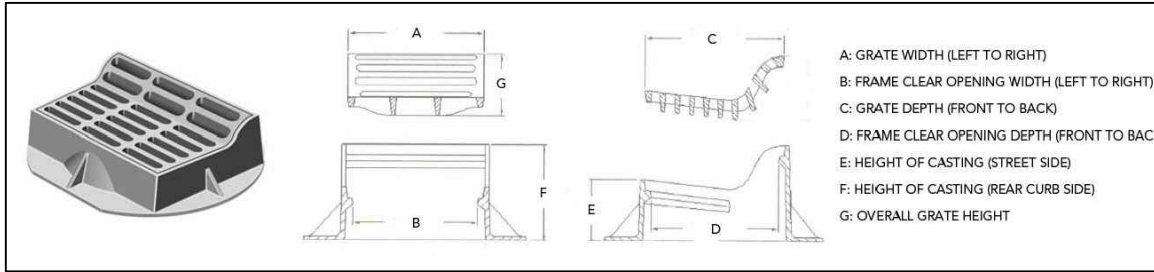


FLEXSTORM P/Ns 62'-'HDFX & 62'-'HDFXP

INLET TYPE: RAISED CAST IRON FRAME WITH ROLLED CURB GRATE



Pure Frame with FX Bag		Field Inlet Dimensions		Flexstorm Framing Dims				Flexstorm Ratings (Flow at 50% max)			Pure Frame with FX+ Bag	
ADS P/N	Flexstorm Item code	Grate Size (A x C)	Clear Opening (B x D)	B1	D1	A1	C1	Bag Capacity (ft³)	FX/FX+ Flow Rate (CFS)	Bypass (CFS)	ADS P/N	Flexstorm Item Code
62MHD FX	P-SQRC-198-180-178-166-FX	19.75 x 18.62	17.75 x 16.62	16.0	15.5	19.5	15.5	1.9	1.5	3.4	62MHD FXP	P-SQRC-198-180-178-166-FXP
62MHD FX	P-SQRC-223-186-203-143-FX	22.25 x 18.62	20.25 x 14.25	18.5	13.5	22.0	13.5	1.8	1.5	3.4	62MHD FXP	P-SQRC-223-186-203-143-FXP
62MHD FX	P-SQRC-225-163-195-150-FX	22.5 x 16.25	19.5 x 15	19.0	14.0	22.5	14.0	1.9	1.5	3.6	62MHD FXP	P-SQRC-225-163-195-150-FXP
62MHD FX	P-SQRC-230-160-215-150-FX	23 X 16	21.5 X 15	19.5	14.0	23.0	14.0	2.1	1.5	3.6	62MHD FXP	P-SQRC-230-160-215-150-FXP
62MHD FX	P-SQRC-223-163-210-160-FX	22.25 x 16.25	21 x 16	18.5	15.0	22.0	15.0	2.1	1.6	3.6	62MHD FXP	P-SQRC-223-163-210-160-FXP
62MHD FX	P-SQRC-243-168-223-148-FX	24.25 x 16.75	22.25 x 14.75	20.5	14.0	24.0	14.0	2.1	1.6	3.7	62MHD FXP	P-SQRC-243-168-223-148-FXP
62MHD FX	P-SQRC-223-186-203-200-FX	22.25 x 18.62	20.25 x 20	18.5	19.0	22.0	19.0	2.6	1.7	4.0	62MHD FXP	P-SQRC-223-186-203-200-FXP
62MHD FX	P-SQRC-223-186-203-200-FX	22.25 x 18.625	20.25 x 20	18.5	19.0	22.0	19.0	2.6	1.7	4.0	62MHD FXP	P-SQRC-223-186-203-200-FXP
62MHD FX	P-SQRC-223-186-203-200-FX	22.25 x 18.625	20.25 x 20	18.5	19.0	22.0	19.0	2.6	1.7	4.0	62MHD FXP	P-SQRC-223-186-203-200-FXP
62MHD FX	P-SQRC-258-188-240-170-FX	25.75 x 18.75	24 x 17	22.0	16.0	25.5	16.0	2.6	1.7	4.1	62MHD FXP	P-SQRC-258-188-240-170-FXP
62MHD FX	P-SQRC-257-190-236-180-FX	25.7 x 19	23.6 x 18	22.0	17.0	25.5	17.0	2.7	1.8	4.2	62MHD FXP	P-SQRC-257-190-236-180-FXP
62MHD FX	P-SQRC-257-190-236-180-FX	25.7 x 19	23.6 x 18	22.0	17.0	25.5	17.0	2.7	1.8	4.2	62MHD FXP	P-SQRC-257-190-236-180-FXP
62MHD FX	P-SQRC-243-233-221-200-FX	24.25 x 23.25	22.125 x 20	20.5	19.0	24.0	19.0	2.8	1.8	4.3	62MHD FXP	P-SQRC-243-233-221-200-FXP
62MHD FX	P-SQRC-243-235-221-200-FX	24.25 x 23.5	22.125 x 20	20.5	19.0	24.0	19.0	2.8	1.8	4.3	62MHD FXP	P-SQRC-243-235-221-200-FXP
62MHD FX	P-SQRC-243-235-221-200-FX	24.25 x 23.5	22.125 x 20	20.5	19.0	24.0	19.0	2.8	1.8	4.3	62MHD FXP	P-SQRC-243-235-221-200-FXP
62MHD FX	P-SQRC-288-173-269-153-FX	28.75 x 17.25	26.9 x 15.3	25.0	14.5	28.5	14.5	2.6	1.8	4.3	62MHD FXP	P-SQRC-288-173-269-153-FXP
62MHD FX	P-SQRC-288-173-269-153-FX	28.75 x 17.25	26.9 x 15.3	25.0	14.5	28.5	14.5	2.6	1.8	4.3	62MHD FXP	P-SQRC-288-173-269-153-FXP
62MHD FX	P-SQRC-228-220-220-203-FX	22.75 x 22	22 x 20.25	19.0	19.5	22.5	19.5	2.8	1.8	4.1	62MHD FXP	P-SQRC-228-220-220-203-FXP
62MHD FX	P-SQRC-223-223-223-200-FX	22.5 x 22.25	22.25 x 20	18.5	19.0	22.0	19.0	2.8	1.8	4.0	62MHD FXP	P-SQRC-223-223-223-200-FXP
62MHD FX	P-SQRC-233-233-213-213-FX	23.25 X 23.25	21.25 X 21.25	19.5	20.5	23.0	20.5	2.9	1.8	4.3	62MHD FXP	P-SQRC-233-233-213-213-FXP
62MHD FX	P-SQRC-261-223-235-195-FX	26.1 x 22.25	23.5 x 19.5	22.5	18.5	26.0	18.5	2.9	1.8	4.4	62MHD FXP	P-SQRC-261-223-235-195-FXP
62MHD FX	P-SQRC-265-225-245-198-FX	26.5 x 22.5	24.5 x 19.75	23.0	19.0	26.5	19.0	3.1	1.9	4.5	62MHD FXP	P-SQRC-265-225-245-198-FXP
62MHD FX	P-SQRC-260-235-260-215-FX	26 x 23.5	26.1 x 21.5	22.5	20.5	26.0	20.5	3.6	2.0	4.6	62MHD FXP	P-SQRC-260-235-260-215-FXP
62MHD FX	P-SQRC-260-235-261-215-FX	26 x 23.5	26.1 x 21.5	22.5	20.5	26.0	20.5	3.6	2.0	4.6	62MHD FXP	P-SQRC-260-235-261-215-FXP
62LHDFX	P-SQRC-281-240-261-220-FX	28.1 x 24	26.1 x 22	24.5	21.0	28.0	21.0	3.7	2.0	4.9	62LHDFXP	P-SQRC-281-240-261-220-FXP
62LHDFX	P-SQRC-250-240-250-240-FX	25 x 24	25 x 24	21.5	23.0	25.0	23.0	3.8	2.1	4.8	62LHDFXP	P-SQRC-250-240-250-240-FXP
62LHDFX	P-SQRC-318-288-298-268-FX	31.75 X 28.75	29.75 X 26.75	28.0	26.0	31.5	26.0	5.1	2.4	5.8	62LHDFXP	P-SQRC-318-288-298-268-FXP

NOTES:

1. RATINGS SHOWN ARE FOR STANDARD 22" BAG DEPTH; "SHORT" 12" DEPTH BAGS ARE AVAILABLE WITH -S SUFFIX; RATINGS REDUCED BY ~50%.

2. THE FOLLOWING REQUIRES ADDITIONAL REVIEW

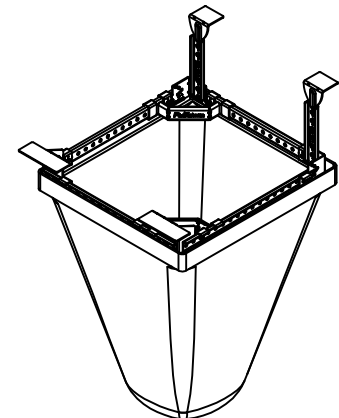
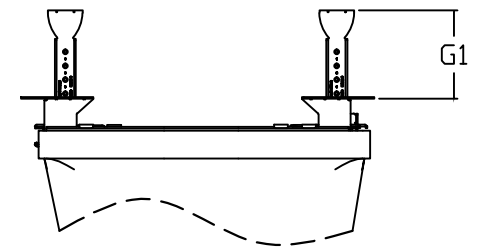
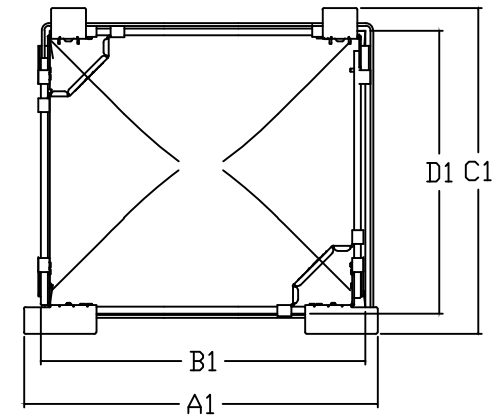
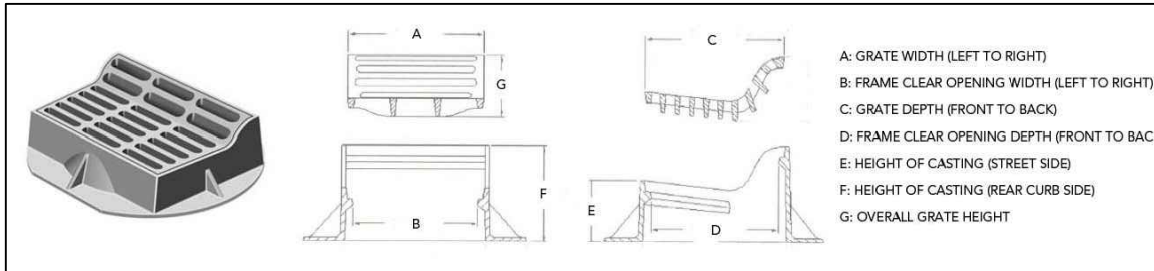
-GRATES WITH EXTENDED BOTTOMS

-ANY OBSTRUCTED INLET OPENINGS

	ALL PRODUCTS MANUFACTURED BY INLET & PIPE PROTECTION, INC A DIVISION OF ADS, INC. WWW.INLETFILTERS.COM (866) 287-8655 PH (630) 355-3477 FX INFO@INLETFILTERS.COM		
	SIZE C	FRAME TYPE SQRC	DWG NO SQRC-62HD-FX
THIS PRINT DISCLOSES SUBJECT MATTER IN WHICH FLEXSTORM HAS PROPRIETARY RIGHTS. THE RECEIPT OR POSSESSION OF THIS PRINT DOES NOT CONFER, TRANSFER, OR LICENSE THE USE OF THE DESIGN OR TECHNICAL INFORMATION SHOWN HEREIN. REPRODUCTION OF THIS PRINT OR ANY INFORMATION CONTAINED HEREIN, OR MANUFACTURE OF ANY ARTICLE HEREFROM, FOR THE DISCLOSURE TO OTHERS IS PROHIBITED, EXCEPT BY WRITTEN PERMISSION FROM FLEXSTORM. ©2013 ADS, INC.			
SCALE		SHEET 1 OF 1	

FLEXSTORM P/Ns 62' HDPC & 62' HDPCP

INLET TYPE: RAISED CAST IRON FRAME WITH ROLLED CURB GRATE



Pure Frame with PC Bag		Field Inlet Dimensions		Flexstorm Framing Dims				Flexstorm Ratings (Flow at 50% max)			Pure Frame with PC Bag	
ADS P/N	Flexstorm Item code	Grate Size (A x C)	Clear Opening (B x D)	B1	D1	A1	C1	Bag Capacity (ft ³)	PC/PC+ Flow Rate (CFS)	Bypass (CFS)	ADS P/N	Flexstorm Item Code
62MHDPC	P-SQRC-198-180-178-166-PC	19.75 x 18.62	17.75 x 16.62	16.0	15.5	19.5	17.8	1.6	1.0	3.4	62MHDPCP	P-SQRC-198-180-178-166-PCP
62MHDPC	P-SQRC-223-186-203-143-PC	22.25 x 18.62	20.25 x 14.25	18.5	13.5	22.0	18.4	1.6	1.0	3.4	62MHDPCP	P-SQRC-223-186-203-143-PCP
62MHDPC	P-SQRC-225-163-195-150-PC	22.5 x 16.25	19.5 x 15	19.0	14.0	22.5	16.0	1.7	1.0	3.6	62MHDPCP	P-SQRC-225-163-195-150-PCP
62MHDPC	P-SQRC-230-160-215-150-PC	23 X 16	21.5 X 15	19.5	14.0	23.0	15.8	1.7	1.1	3.6	62MHDPCP	P-SQRC-230-160-215-150-PCP
62MHDPC	P-SQRC-223-163-210-160-PC	22.25 x 16.25	21 x 16	18.5	15.0	22.0	16.0	1.8	1.1	3.6	62MHDPCP	P-SQRC-223-163-210-160-PCP
62MHDPC	P-SQRC-243-168-223-148-PC	24.25 x 16.75	22.25 x 14.75	20.5	14.0	24.0	16.5	1.8	1.1	3.7	62MHDPCP	P-SQRC-243-168-223-148-PCP
62MHDPC	P-SQRC-223-186-203-200-PC	22.25 x 18.62	20.25 x 20	18.5	19.0	22.0	18.4	2.2	1.2	4.0	62MHDPCP	P-SQRC-223-186-203-200-PCP
62MHDPC	P-SQRC-223-186-203-200-PC	22.25 x 18.625	20.25 x 20	18.5	19.0	22.0	18.4	2.2	1.2	4.0	62MHDPCP	P-SQRC-223-186-203-200-PCP
62MHDPC	P-SQRC-223-186-203-200-PC	22.25 x 18.625	20.25 x 20	18.5	19.0	22.0	18.4	2.2	1.2	4.0	62MHDPCP	P-SQRC-223-186-203-200-PCP
62MHDPC	P-SQRC-258-188-240-170-PC	25.75 x 18.75	24 x 17	22.0	16.0	25.5	18.5	2.2	1.2	4.1	62MHDPCP	P-SQRC-258-188-240-170-PCP
62MHDPC	P-SQRC-257-190-236-180-PC	25.7 x 19	23.6 x 18	22.0	17.0	25.5	18.8	2.4	1.2	4.2	62MHDPCP	P-SQRC-257-190-236-180-PCP
62MHDPC	P-SQRC-257-190-236-180-PC	25.7 x 19	23.6 x 18	22.0	17.0	25.5	18.8	2.4	1.2	4.2	62MHDPCP	P-SQRC-257-190-236-180-PCP
62MHDPC	P-SQRC-243-233-221-200-PC	24.25 x 23.25	22.125 x 20	20.5	19.0	24.0	23.0	2.5	1.3	4.3	62MHDPCP	P-SQRC-243-233-221-200-PCP
62MHDPC	P-SQRC-243-235-221-200-PC	24.25 x 23.5	22.125 x 20	20.5	19.0	24.0	23.3	2.5	1.3	4.3	62MHDPCP	P-SQRC-243-235-221-200-PCP
62MHDPC	P-SQRC-243-235-221-200-PC	24.25 x 23.5	22.125 x 20	20.5	19.0	24.0	23.3	2.5	1.3	4.3	62MHDPCP	P-SQRC-243-235-221-200-PCP
62MHDPC	P-SQRC-288-173-269-153-PC	28.75 x 17.25	26.9 x 15.3	25.0	14.5	28.5	17.0	2.3	1.3	4.3	62MHDPCP	P-SQRC-288-173-269-153-PCP
62MHDPC	P-SQRC-288-173-269-153-PC	28.75 x 17.25	26.9 x 15.3	25.0	14.5	28.5	17.0	2.3	1.3	4.3	62MHDPCP	P-SQRC-288-173-269-153-PCP
62MHDPC	P-SQRC-228-220-220-203-PC	22.75 x 22	22 x 20.25	19.0	19.5	22.5	21.8	2.4	1.3	4.1	62MHDPCP	P-SQRC-228-220-220-203-PCP
62MHDPC	P-SQRC-223-223-223-200-PC	22.5 x 22.25	22.25 x 20	18.5	19.0	22.0	22.0	2.2	1.3	4.0	62MHDPCP	P-SQRC-223-223-223-200-PCP
62MHDPC	P-SQRC-233-233-213-213-PC	23.25 X 23.25	21.25 X 21.25	19.5	20.5	23.0	23.0	2.5	1.3	4.3	62MHDPCP	P-SQRC-233-233-213-213-PCP
62MHDPC	P-SQRC-261-223-235-195-PC	26.1 x 22.25	23.5 x 19.5	22.5	18.5	26.0	22.0	2.6	1.3	4.4	62MHDPCP	P-SQRC-261-223-235-195-PCP
62MHDPC	P-SQRC-265-225-245-198-PC	26.5 x 22.5	24.5 x 19.75	23.0	19.0	26.5	22.3	2.8	1.3	4.5	62MHDPCP	P-SQRC-265-225-245-198-PCP
62MHDPC	P-SQRC-260-235-260-215-PC	26 x 23.5	26.1 x 21.5	22.5	20.5	26.0	23.3	2.9	1.4	4.6	62MHDPCP	P-SQRC-260-235-260-215-PCP
62MHDPC	P-SQRC-260-235-261-215-PC	26 x 23.5	26.1 x 21.5	22.5	20.5	26.0	23.3	2.9	1.4	4.6	62MHDPCP	P-SQRC-260-235-261-215-PCP
62LHDPC	P-SQRC-281-240-261-220-PC	28.1 x 24	26.1 x 22	24.5	21.0	28.0	23.8	3.3	1.4	4.9	62LHDPCP	P-SQRC-281-240-261-220-PCP
62LHDPC	P-SQRC-250-240-250-240-PC	25 x 24	25 x 24	21.5	23.0	25.0	23.8	3.1	1.5	4.8	62LHDPCP	P-SQRC-250-240-250-240-PCP
62LHDPC	P-SQRC-318-288-298-268-PC	31.75 X 28.75	29.75 X 26.75	28.0	26.0	31.5	28.5	4.6	1.7	5.8	62LHDPCP	P-SQRC-318-288-298-268-PCP

NOTES:

1. RATINGS SHOWN ARE FOR STANDARD 22" BAG DEPTH; "SHORT" 12" DEPTH BAGS ARE AVAILABLE WITH -S SUFFIX; RATINGS REDUCED BY ~50%.

2. THE FOLLOWING REQUIRES ADDITIONAL REVIEW

- GRATES WITH EXTENDED BOTTOMS
- ANY OBSTRUCTED INLET OPENINGS

ALL PRODUCTS MANUFACTURED BY INLET & PIPE PROTECTION, INC A DIVISION OF ADS, INC.
WWW.INLETFILTERS.COM
 (866) 287-8655 PH
 (630) 355-3477 FX
INFO@INLETFILTERS.COM

THIS PRINT DISCLOSES SUBJECT MATTER IN WHICH FLEXSTORM HAS PROPRIETARY RIGHTS. THE RECEIPT OR POSSESSION OF THIS PRINT DOES NOT CONFER, TRANSFER, OR LICENSE THE USE OF THE DESIGN OR TECHNICAL INFORMATION SHOWN HEREIN. REPRODUCTION OF THIS PRINT OR ANY INFORMATION CONTAINED HEREIN, OR MANUFACTURE OF ANY ARTICLE HEREFROM, FOR THE DISCLOSURE TO OTHERS IS PROHIBITED, EXCEPT BY WRITTEN PERMISSION FROM FLEXSTORM. ©2013 ADS, INC.	SIZE C	FRAME TYPE SQRC	DWG NO SQRC-62HD-PC	REV A
--	-----------	--------------------	------------------------	----------