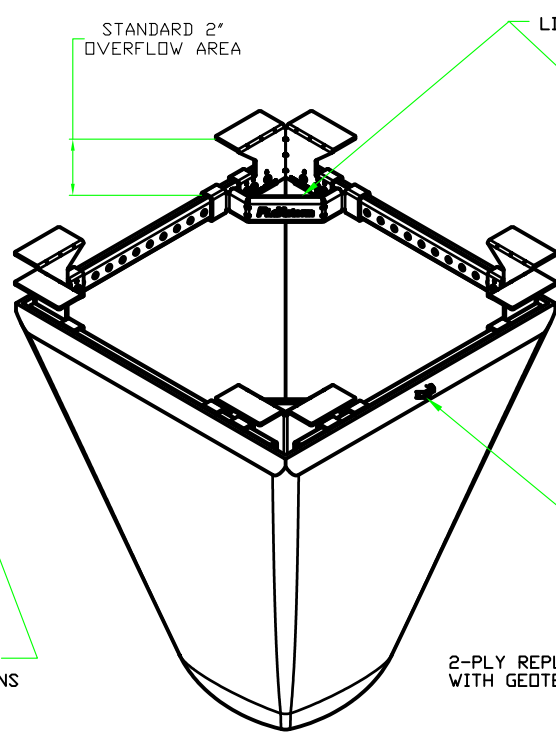
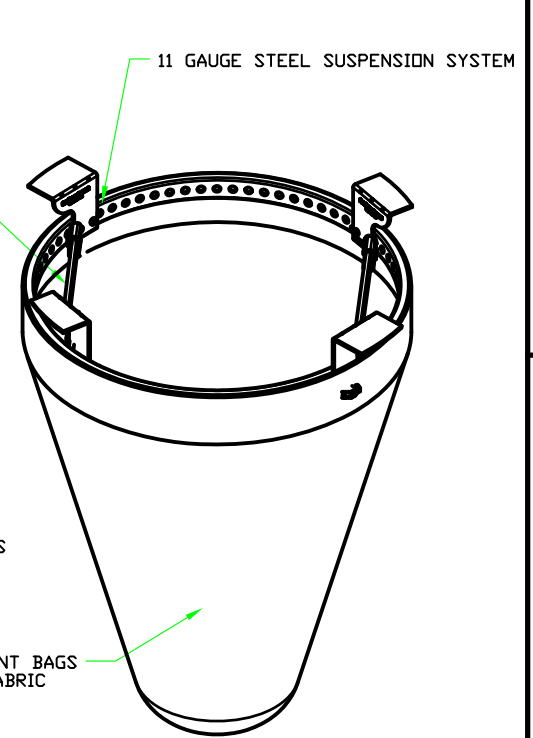


TYPICAL CURB BOX INLET FILTER



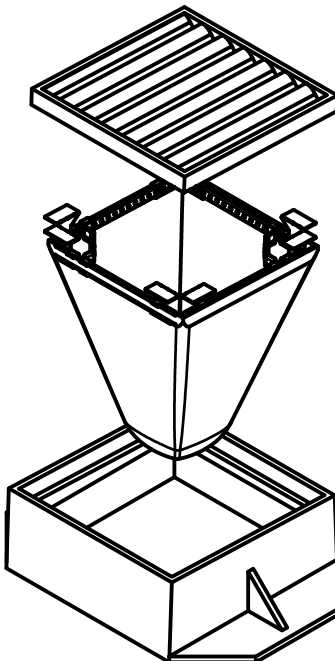
TYPICAL FLAT/RECTANGULAR/ROLLED CURB INLET FILTER



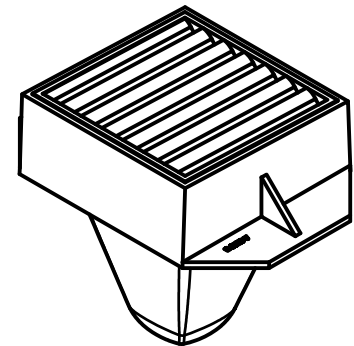
TYPICAL ROUND INLET FILTER

IDOT Inlet Filter Specifications

Material Property	Test Method	Value (min ave)
> NonWoven Geotextile Inner Filter Bag Specs (2 ft³ min vol)		
Grab Tensile	ASTM D 4632	100 lbs
Puncture Strength	ASTM D 4833	65lbs
Trapezoidal Tear	ASTM D 4533	45 lbs
UV Resistance	ASTM D 4355	70% at 500 hrs
App Open Size (AOS)	ASTM D 4751	70 sieve (.212 mm)
Permittivity	ASTM D 4491	2.0/sec
Water Flow Rate	ASTM D 4491	145 gpm/sqft
> Polyester Outer Reinforcement Bag Specifications		
Weight	ASTM D 3776	4.55 oz/sqyd +/- 15%
Thickness	ASTM D 1777	.040 +/- .005
> Frame Construction		
A36 Structural Steel; 11 Guage; Zinc Plated	ASTM A 576	Tensile Strength > 58,000 psi; Yield Strength > 36,000 psi



- INSTALLATION:**
1. REMOVE GRATE
 2. DROP FLEXSTORM INLET FILTER ONTO LOAD BEARING LIP OF CASTING OR CONCRETE STRUCTURE
 3. REPLACE GRATE



DRAWN ANDRIANO		ALL PRODUCTS MANUFACTURED BY INLET & PIPE PROTECTION, INC 24137 111th St Naperville, IL www.INLETFILTERS.COM		
CHECKED		(630) 355-3288 PH (630) 355-3477 FX INFO@INLETFILTERS.COM		
QA		SIZE	DWG NO	REV
MFG		C	IPP_FLEXSTORM_SPECS	
APPROVED		SCALE		SHEET 1 OF 1