

FLEXSTORM P/Ns FOR NYLOPLAST ROUND FRAME AND GRATE

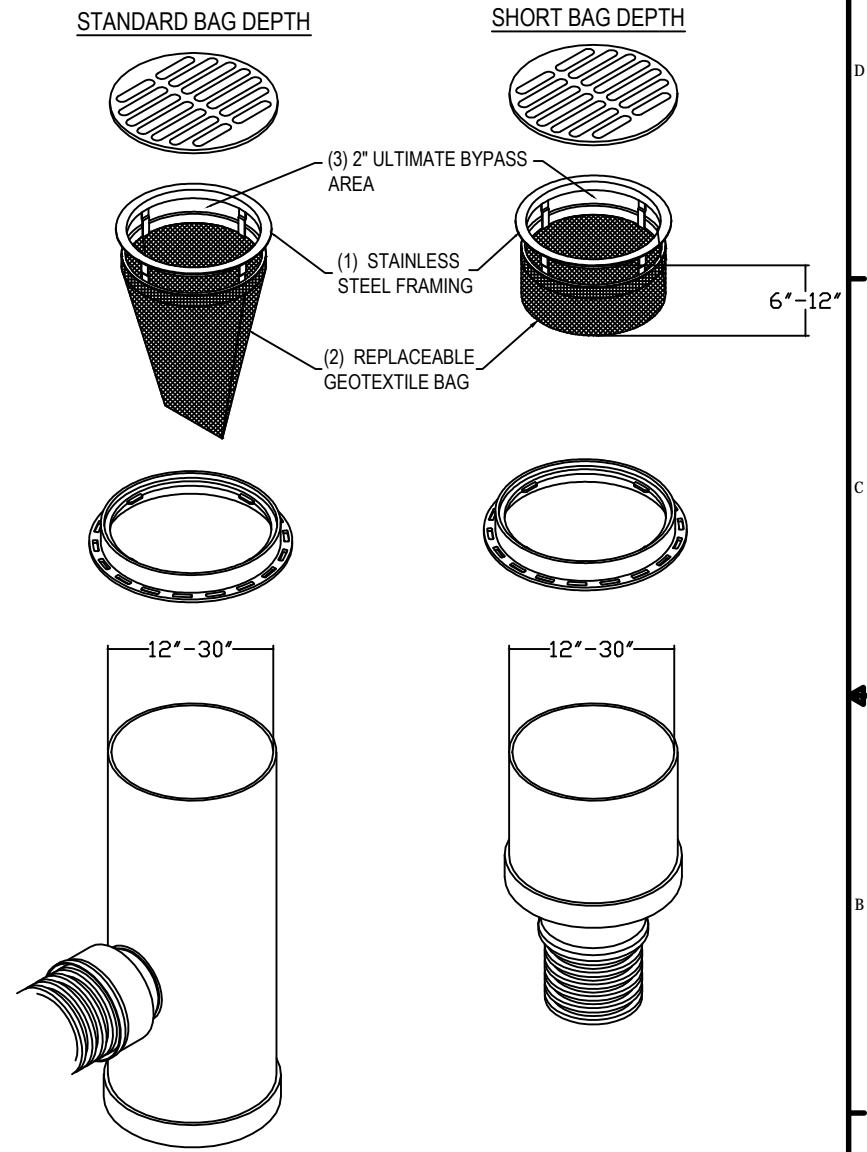
INLET TYPE NYLO: ROUND IN NYLOPLAST BASIN

Casting Size	FX Bag		Flexstorm Ratings (Flow at 50% of max)			FX+ Bag
	ADS P/N	Bag Depth	Bag Capacity (ft ³)	FX/FX+ Flow Rate (CFS)	Total Bypass (CFS)	ADS P/N
12" Round	6212NYFX	22"	0.3	1.4	4.6	6212NYFXP
15" Round	6215NYFX	22"	0.6	1.7	5.9	6215NYFXP
18" Round	6218NYFX	22"	0.9	2.1	7.3	6218NYFXP
24" Round	6224NYFX	22"	1.6	2.8	10.1	6224NYFXP
30" Round	6230NYFX	22"	2.8	3.6	13.1	6230NYFXP

Casting Size	FX Short Bag		Flexstorm Ratings (Flow at 50% of max)			FX+ Short Bag
	ADS P/N	Bag Depth	Bag Capacity (ft ³)	FX/FX+ Flow Rate (CFS)	Total Bypass (CFS)	ADS P/N
12" Round	6212NYFXS	6"	0.2	0.7	4.6	6212NYFXPS
15" Round	6215NYFXS	12"	0.3	0.8	5.9	6215NYFXPS
18" Round	6218NYFXS	12"	0.4	1.0	7.3	6218NYFXPS
24" Round	6224NYFXS	12"	0.8	1.4	10.1	6224NYFXPS
30" Round	6230NYFXS	12"	1.4	1.8	13.1	6230NYFXPS

Casting Size	PC Bag		Flexstorm Ratings (Flow at 50% of max)			PC+ Bag
	ADS P/N	Bag Depth	Bag Capacity (ft ³)	PC/PC Flow Rate (CFS)	Total Bypass (CFS)	ADS P/N
12" Round	6212NYPC	22"	0.3	0.9	4.6	6212NYPCP
15" Round	6215NYPC	22"	0.6	1.2	5.9	6215NYPCP
18" Round	6218NYPC	22"	0.9	1.4	7.3	6218NYPCP
24" Round	6224NYPC	22"	1.6	1.9	10.1	6224NYPCP
30" Round	6230NYPC	22"	2.8	2.5	13.1	6230NYPCP

Casting Size	PC Short Bag		Flexstorm Ratings (Flow at 50% of max)			PC+ Short Bag
	ADS P/N	Bag Depth	Bag Capacity (ft ³)	PC/PC+ Flow Rate (CFS)	Total Bypass (CFS)	ADS P/N
12" Round	6212NYPCS	6"	0.2	0.5	4.6	6212NYPCPS
15" Round	6215NYPCS	12"	0.3	0.6	5.9	6215NYPCPS
18" Round	6218NYPCS	12"	0.4	0.7	7.3	6218NYPCPS
24" Round	6224NYPCS	12"	0.8	1.0	10.1	6224NYPCPS
30" Round	6230NYPCS	12"	1.4	1.2	13.1	6230NYPCPS



ALL PRODUCTS MANUFACTURED BY INLET & PIPE PROTECTION, INC A DIVISION OF ADS, INC.
WWW.INLETFILTERS.COM
 (866) 287-8655 PH
 (630) 355-3477 FX
INFO@INLETFILTERS.COM

THIS PRINT RESOLVES SUBJECT MATTER IN WHICH FLEXSTORM HAS PROPRIETARY RIGHTS. THE RECEIPT OR POSSESSION OF THIS PRINT DOES NOT CONFER, TRANSFER, OR LICENSE THE USE OF THE DESIGN OR TECHNICAL INFORMATION SHOWN HEREIN. REPRODUCTION OF THIS PRINT OR ANY INFORMATION CONTAINED HEREIN, OR MANUFACTURE OF ANY ARTICLE HEREFROM, FOR THE RESOLUTION TO OTHERS IS FORBIDDEN, EXCEPT BY WRITTEN PERMISSION FROM FLEXSTORM.	SIZE	FRAME TYPE	DWG NO	REV
C	NY	NYLOPLAST		A
SCALE	SHEET 1 OF 1			

©2013 ADS, INC.