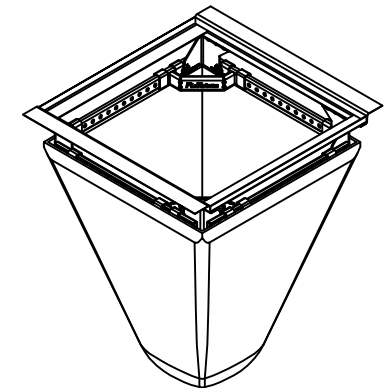
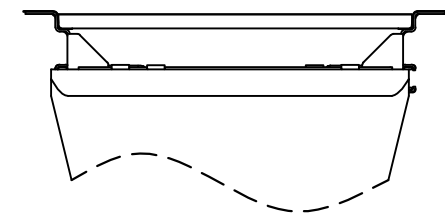
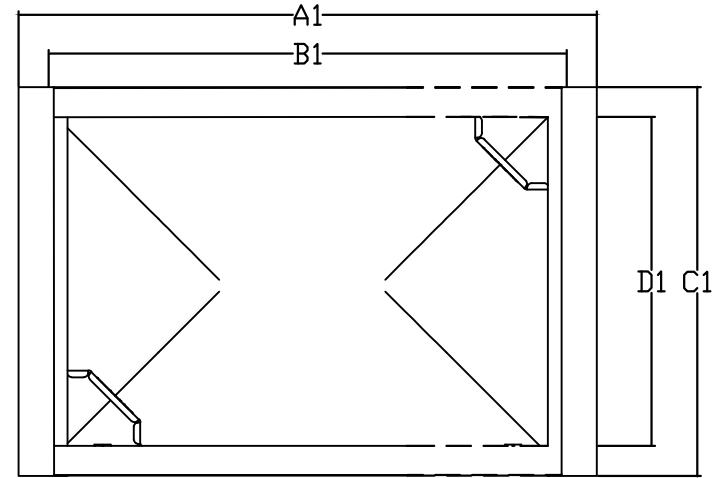
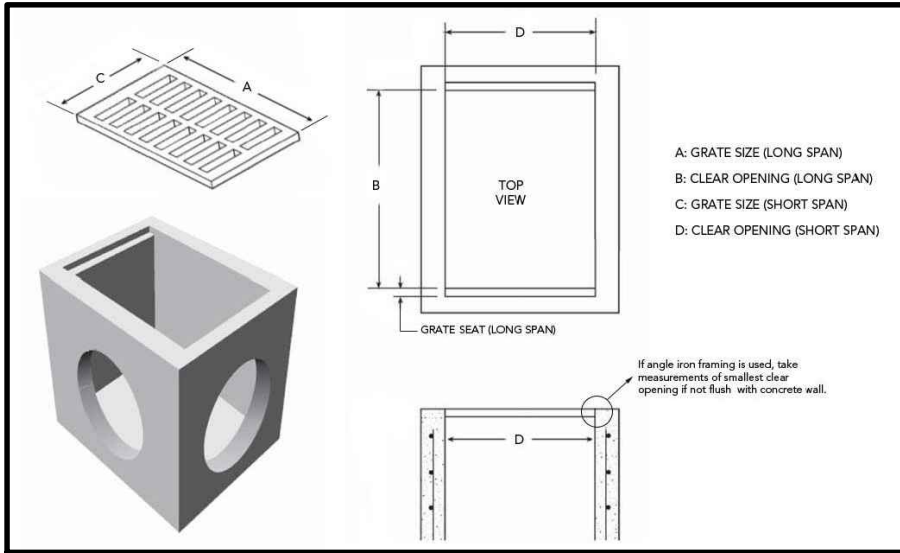


FLEXSTORM P/Ns 62' 'HDFX & 62' 'HDFXP

HD2L INLET TYPE: RECTANGULAR PRECAST OPENING WITH 2 SEAT GRATE SUPPORTS ON SHORT LEDGES (LONG SPAN)



Pure Frame with FX Bag		Field Inlet Dimensions		Flexstorm Framing Dim				Flexstorm Ratings (Flow at 50% max)			Pure Frame with FX+ Bag	
ADS P/N	Flexstorm Item code	Grate Size (A x C)	Clear Opening (B x D)	B1	D1	A1	C1	Bag Capacity (ft³)	FX/FX+ Flow Rate (CFS)	Bypass (CFS)	ADS P/N	Flexstorm Item Code
62SHDFX	P-HD2L-140-120-120-120-FX	14x12	12x12	10.5	9.0	14.0	11.8	0.6	0.8	2.1	62SHDFXP	P-HD2L-140-120-120-120-FXP
62SHDFX	P-HD2L-190-160-160-160-FX	19x16	16x16	15.5	13.0	19.0	15.8	1.3	1.2	3.1	62SHDFXP	P-HD2L-190-160-160-160-FXP
62MHDFX	P-HD2L-200-180-180-180-FX	20x18	18x18	16.5	15.0	20.0	17.8	1.6	1.3	3.4	62MHDFXP	P-HD2L-200-180-180-180-FXP
62MHDFX	P-HD2L-260-160-240-160-FX	26x16	24x16	22.5	13.0	26.0	15.8	1.9	1.5	3.8	62MHDFXP	P-HD2L-260-160-240-160-FXP
62MHDFX	P-HD2L-278-180-253-180-FX	27.75 x 18	25.25 x 18	24.0	15.0	27.5	17.8	2.3	1.7	4.2	62MHDFXP	P-HD2L-278-180-253-180-FXP
62MHDFX	P-HD2L-283-170-265-181-FX	26.5 x 17	26.5 x 18.25	24.5	15.0	28.0	17.9	2.3	1.7	4.3	62MHDFXP	P-HD2L-283-170-265-181-FXP
62MHDFX	P-HD2L-283-170-265-183-FX	28.34 x 17	26.5 x 18.25	24.5	15.5	28.0	18.0	2.4	1.7	4.3	62MHDFXP	P-HD2L-283-170-265-183-FXP
62MHDFX	P-HD2L-288-170-265-183-FX	28.75 x 17	26.5 x 18.25	25.0	15.5	28.5	18.0	2.5	1.7	4.4	62MHDFXP	P-HD2L-288-170-265-183-FXP
62MHDFX	P-HD2L-350-150-300-150-FX	35x15	30x15	29.5	12.0	35.0	14.8	2.3	1.8	4.5	62MHDFXP	P-HD2L-350-150-300-150-FXP
62MHDFX	P-HD2L-263-230-240-233-FX	26.25 x 23	24 x 23.25	22.5	20.5	26.0	23.0	2.9	1.8	4.6	62MHDFXP	P-HD2L-263-230-240-233-FXP
62MHDFX	P-HD2L-263-230-240-233-FX	26.25 x 23	24 x 23.25	22.5	20.5	26.0	23.0	2.9	1.8	4.6	62MHDFXP	P-HD2L-263-230-240-233-FXP
62MHDFX	P-HD2L-263-230-240-233-FX	26.25 x 23	24 x 23.25	22.5	20.5	26.0	23.0	2.9	1.8	4.6	62MHDFXP	P-HD2L-263-230-240-233-FXP
62MHDFX	P-HD2L-270-240-240-240-FX	27x24	24x24	23.5	21.0	27.0	23.8	3.1	1.9	4.8	62MHDFXP	P-HD2L-270-240-240-240-FXP
62LHDFX	P-HD2L-338-190-314-194-FX	33.75 x 19	31.375 x 19.375	30.0	16.5	33.5	19.1	3.2	2.0	5.0	62LHDFXP	P-HD2L-338-190-314-194-FXP
62LHDFX	P-HD2L-338-218-314-214-FX	33.75 x 21.75	31.375 x 21.375	30.0	18.5	33.5	21.1	3.5	2.1	5.2	62LHDFXP	P-HD2L-338-218-314-214-FXP
62LHDFX	P-HD2L-400-180-360-180-FX	40x18	36x18	35.5	15.0	40.0	17.8	3.4	2.1	5.4	62LHDFXP	P-HD2L-400-180-360-180-FXP
62LHDFX	P-HD2L-400-240-360-240-FX	40x24	36x24	35.5	21.0	40.0	23.8	4.7	2.4	6.1	62LHDFXP	P-HD2L-400-240-360-240-FXP
62LHDFX	P-HD2L-340-300-300-300-FX	34x30	30x30	29.5	27.0	34.0	29.8	5.1	2.4	6.1	62LHDFXP	P-HD2L-340-300-300-300-FXP
62XLHDFX	P-HD2L-400-360-360-360-FX	40x36	36x36	35.5	33.0	40.0	35.8	7.5	2.9	7.4	62XLHDFXP	P-HD2L-400-360-360-360-FXP
62XLHDFX	P-HD2L-540-480-480-480-FX	54x48	48x48	47.5	45.0	54.0	47.8	13.6	3.9	10.0	62XLHDFXP	P-HD2L-540-480-480-480-FXP

NOTES:

1. RATINGS SHOWN ARE FOR STANDARD 22" BAG DEPTH; "SHORT" 12" DEPTH BAGS ARE AVAILABLE WITH -S SUFFIX; RATINGS REDUCED BY ~50%.

2. THE FOLLOWING REQUIRES ADDITIONAL REVIEW

- GRATES WITH EXTENDED BOTTOMS
- ANY OBSTRUCTED INLET OPENINGS

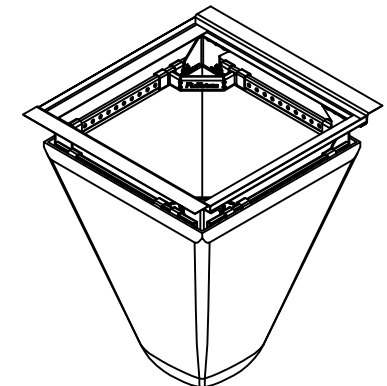
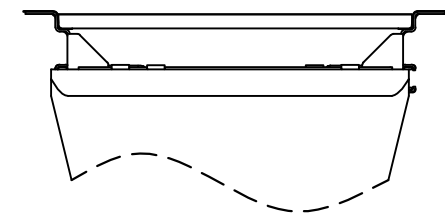
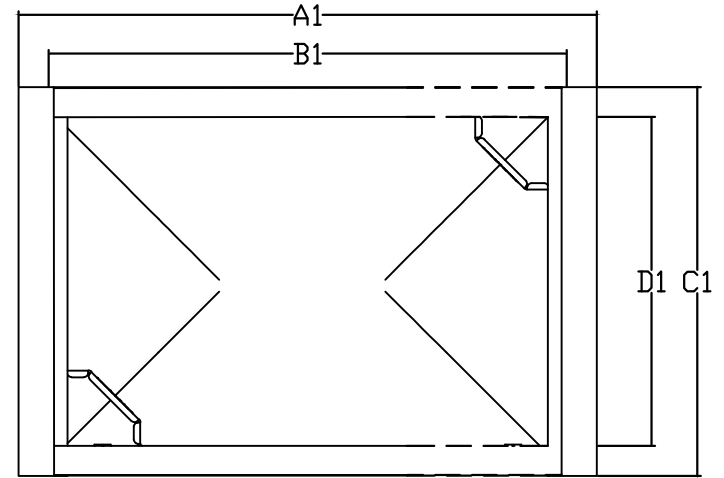
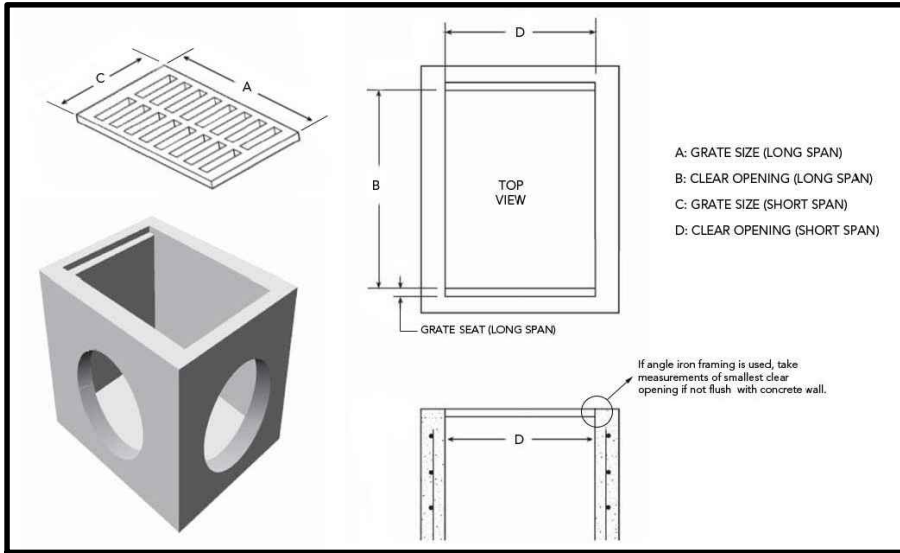


ALL PRODUCTS MANUFACTURED BY INLET & PIPE PROTECTION, INC A DIVISION OF ADS, INC. WWW.INLETFILTERS.COM (866) 287-8655 PH (630) 355-3477 FX INFO@INLETFILTERS.COM

THIS PRINT RESOLVES SUBJECT MATTER IN WHICH FLEXSTORM HAS PROPRIETARY RIGHTS. THE RECEIPT OR POSSESSION OF THIS PRINT DOES NOT CONSTITUTE A TRANSFER OR LICENSE THE USE OF THE DESIGN OR TECHNICAL INFORMATION SHOWN HEREIN. REPRODUCTION OF THIS PRINT OR ANY INFORMATION CONTAINED HEREIN, OR MANUFACTURE OF ANY ARTICLE HEREFROM, FOR THE RESOLUTION TO OTHERS IS FORBIDDEN, EXCEPT BY WRITTEN PERMISSION FROM FLEXSTORM.	SIZE	FRAME TYPE	DWG NO	REV
C	HDSQ2	HD2L-62_HD-FX	A	
SCALE	SHEET 1 OF 1			

FLEXSTORM P/Ns 62' HDPC & 62' HDPCP

HD2L INLET TYPE: RECTANGULAR PRECAST OPENING WITH 2 SEAT GRATE SUPPORTS ON SHORT LEDGES (LONG SPAN)



Pure Frame with PC Bag		Field Inlet Dimensions		Flexstorm Framing Dim				Flexstorm Ratings (Flow at 50% max)			Pure Frame with PC+ Bag	
ADS P/N	Flexstorm Item code	Grate Size (A x C)	Clear Opening (B x D)	B1	D1	A1	C1	Bag Capacity (ft ³)	FX/FX+ Flow Rate (CFS)	Bypass (CFS)	ADS P/N	Flexstorm Item Code
62SHDFC	P-HD2L-140-120-120-120-PC	14x12	12x12	10.5	9.0	14.0	11.8	0.6	0.7	2.1	62SHDFCP	P-HD2L-140-120-120-120-PCP
62SHDFC	P-HD2L-190-160-160-160-PC	19x16	16x16	15.5	13.0	19.0	15.8	1.3	1.0	3.1	62SHDFCP	P-HD2L-190-160-160-160-PCP
62MHDFC	P-HD2L-200-180-180-180-PC	20x18	18x18	16.5	15.0	20.0	17.8	1.6	1.1	3.4	62MHDFCP	P-HD2L-200-180-180-180-PCP
62MHDFC	P-HD2L-260-160-240-160-PC	26x16	24x16	22.5	13.0	26.0	15.8	1.9	1.2	3.8	62MHDFCP	P-HD2L-260-160-240-160-PCP
62MHDFC	P-HD2L-278-180-253-180-PC	27.75 x 18	25.25 x 18	24.0	15.0	27.5	17.8	2.3	1.3	4.2	62MHDFCP	P-HD2L-278-180-253-180-PCP
62MHDFC	P-HD2L-283-170-265-181-PC	28.34 x 17	26.5 x 18.25	24.5	15.0	28.0	17.9	2.3	1.3	4.3	62MHDFCP	P-HD2L-283-170-265-181-PCP
62MHDFC	P-HD2L-283-170-265-183-PC	28.34 x 17	26.5 x 18.25	24.5	15.5	28.0	18.0	2.4	1.3	4.3	62MHDFCP	P-HD2L-283-170-265-183-PCP
62MHDFC	P-HD2L-288-170-265-183-PC	28.75 x 17	26.5 x 18.25	25.0	15.5	28.5	18.0	2.5	1.3	4.4	62MHDFCP	P-HD2L-288-170-265-183-PCP
62MHDFC	P-HD2L-350-150-300-150-PC	35x15	30x15	29.5	12.0	35.0	14.8	2.3	1.3	4.5	62MHDFCP	P-HD2L-350-150-300-150-PCP
62MHDFC	P-HD2L-263-230-240-233-PC	26.25 x 23	24 x 23.25	22.5	20.5	26.0	23.0	2.9	1.4	4.6	62MHDFCP	P-HD2L-263-230-240-233-PCP
62MHDFC	P-HD2L-263-230-240-233-PC	26.25 x 23	24 x 23.25	22.5	20.5	26.0	23.0	2.9	1.4	4.6	62MHDFCP	P-HD2L-263-230-240-233-PCP
62MHDFC	P-HD2L-263-230-240-233-PC	26.25 x 23	24 x 23.25	22.5	20.5	26.0	23.0	2.9	1.4	4.6	62MHDFCP	P-HD2L-263-230-240-233-PCP
62MHDFC	P-HD2L-270-240-240-240-PC	27x24	24x24	23.5	21.0	27.0	23.8	3.1	1.4	4.8	62MHDFCP	P-HD2L-270-240-240-240-PCP
62LHDFC	P-HD2L-338-190-314-194-PC	33.75 x 19	31.375 x 19.375	30.0	16.5	33.5	19.1	3.2	1.5	5.0	62LHDFCP	P-HD2L-338-190-314-194-PCP
62LHDFC	P-HD2L-338-218-314-214-PC	33.75 x 21.75	31.375 x 21.375	30.0	18.5	33.5	21.1	3.5	1.6	5.2	62LHDFCP	P-HD2L-338-218-314-214-PCP
62LHDFC	P-HD2L-400-180-360-180-PC	40x18	36x18	35.5	15.0	40.0	17.8	3.4	1.6	5.4	62LHDFCP	P-HD2L-400-180-360-180-PCP
62LHDFC	P-HD2L-400-240-360-240-PC	40x24	36x24	35.5	21.0	40.0	23.8	4.7	1.8	6.1	62LHDFCP	P-HD2L-400-240-360-240-PCP
62LHDFC	P-HD2L-340-300-300-300-PC	34x30	30x30	29.5	27.0	34.0	29.8	5.1	1.8	6.1	62LHDFCP	P-HD2L-340-300-300-300-PCP
62XLHDFC	P-HD2L-400-360-360-360-PC	40x36	36x36	35.5	33.0	40.0	35.8	7.5	2.1	7.4	62XLHDFCP	P-HD2L-400-360-360-360-PCP
62XLHDFC	P-HD2L-540-480-480-480-PC	54x48	48x48	47.5	45.0	54.0	47.8	13.6	2.9	10.0	62XLHDFCP	P-HD2L-540-480-480-480-PCP

NOTES:

1. RATINGS SHOWN ARE FOR STANDARD 22" BAG DEPTH; "SHORT" 12" DEPTH BAGS ARE AVAILABLE WITH -S SUFFIX; RATINGS REDUCED BY ~50%.

2. THE FOLLOWING REQUIRES ADDITIONAL REVIEW

-GRATES WITH EXTENDED BOTTOMS

-ANY OBSTRUCTED INLET OPENINGS



ALL PRODUCTS MANUFACTURED BY INLET & PIPE PROTECTION, INC A DIVISION OF ADS, INC. WWW.INLETFILTERS.COM (866) 287-8655 PH (630) 355-3477 FX INFO@INLETFILTERS.COM

THIS PRINT RESOLVES SUBJECT MATTER IN WHICH FLEXSTORM HAS PROPRIETARY RIGHTS. THE RECEIPT OR POSSESSION OF THIS PRINT DOES NOT CONSTITUTE A TRANSFER OR LICENSE OF THE DESIGN OR TECHNICAL INFORMATION SHOWN HEREIN. REPRODUCTION OF THIS PRINT OR ANY INFORMATION CONTAINED HEREIN, OR MANUFACTURE OF ANY ARTICLE HEREFROM, FOR THE DISSEMINATION TO OTHERS IS FORBIDDEN, EXCEPT BY WRITTEN PERMISSION FROM FLEXSTORM. ©2013 ADS, INC.

SIZE	FRAME TYPE	DWG NO	REV
C	HDSQ2	HD2L-62_HD-PC	A
SCALE	SHEET 1 OF 1		