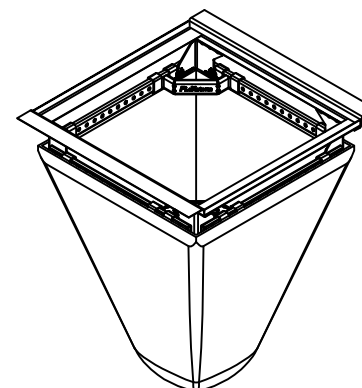
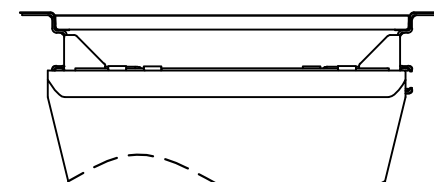
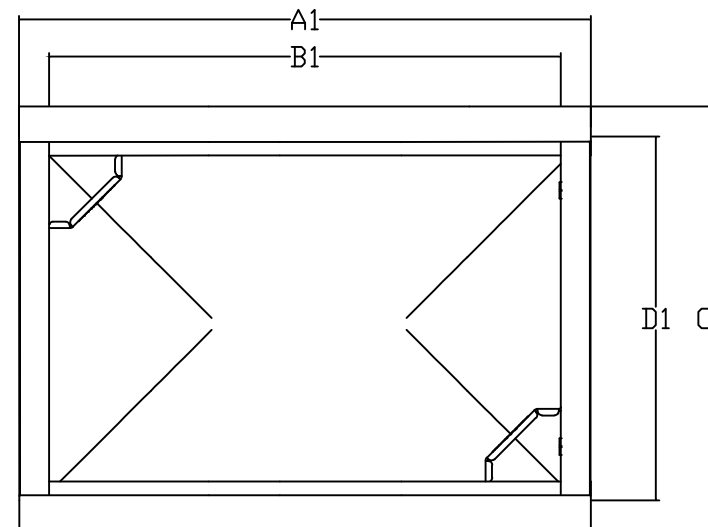
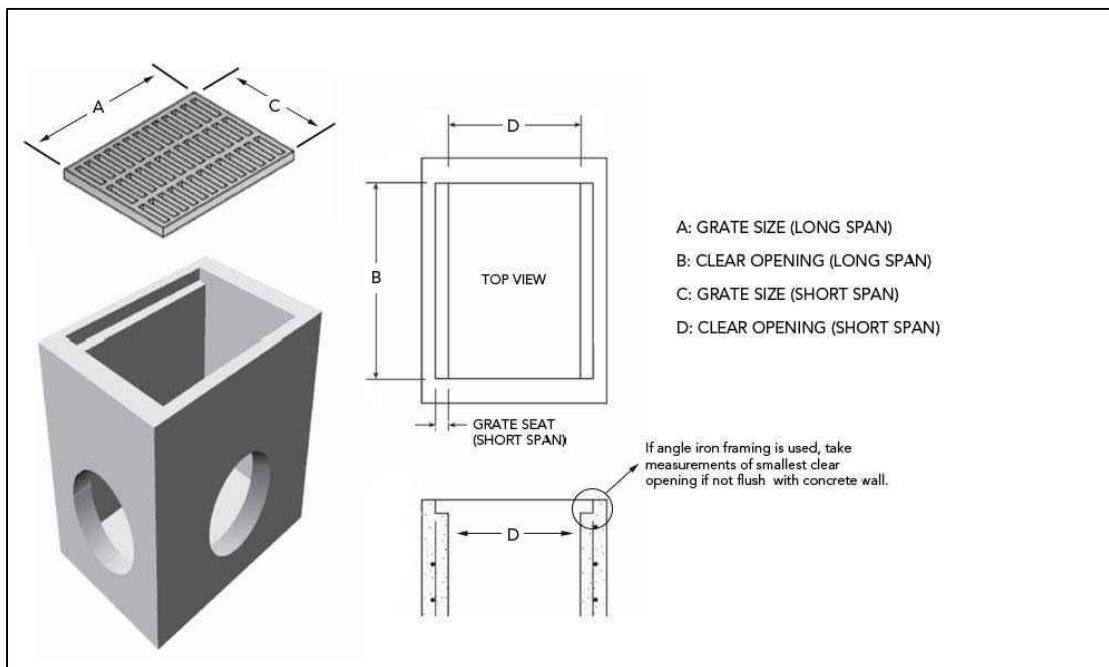


FLEXSTORM P/Ns 62' 'HDFX & 62' 'HDFXP

HD2S INLET TYPE: RECTANGULAR PRECAST OPENING WITH 2 SEAT GRATE SUPPORTS ON LONG LEDGES (SHORT SPAN)



Pure Frame with FX Bag		Field Inlet Dimensions		Flexstorm Framing Dim				Flexstorm Ratings (Flow at 50% max)			Pure Frame with FX+ Bag	
ADS P/N	Flexstorm Item Code	Grate Size (A x C)	Clear Opening (B x D)	B1	D1	A1	C1	Bag Capacity (ft ³)	FX/FX+ Flow Rate (CFS)	Total Bypass (CFS)	ADS P/N	Flexstorm Item Code
62LHDFX	P-HD2S-300-260-300-240-FX	30x26	30x24	27.0	22.5	29.8	26.0	3.9	2.1	5.3	62LHDFXP	P-HD2S-300-260-300-240-FXP
62LHDFX	P-HD2S-360-278-360-240-FX	36 x 27.75	36 x 24	33.0	23.5	35.8	27.0	4.9	2.4	6.1	62LHDFXP	P-HD2S-360-278-360-240-FXP
62XLHDFX	P-HD2S-480-260-480-240-FX	48x26	48x24	45.0	22.5	47.8	26.0	6.4	2.9	7.3	62XLHDFXP	P-HD2S-480-260-480-240-FXP
62XLHDFX	P-HD2S-460-263-469-240-FX	46 x 26.25	46 7/8 x 24	44.0	22.5	46.6	26.0	6.3	2.8	7.2	62XLHDFXP	P-HD2S-460-263-469-240-FXP
62XLHDFX	P-HD2S-460-263-469-240-FX	46 x 26.25	46 7/8 x 24	44.0	22.5	46.6	26.0	6.3	2.8	7.2	62XLHDFXP	P-HD2S-460-263-469-240-FXP
62XLHDFX	P-HD2S-460-266-469-240-FX	46 x 26.25	46.87 x 24	44.0	23.0	46.6	26.5	6.4	2.8	7.2	62XLHDFXP	P-HD2S-460-266-469-240-FXP
62XLHDFX	P-HD2S-400-240-400-210-FX	40x24	40x21	37.0	20.5	39.8	24.0	4.8	2.4	6.2	62XLHDFXP	P-HD2S-400-240-400-210-FXP
62XLHDFX	P-HD2S-480-400-480-360-FX	48x40	48x36	45.0	35.5	47.8	39.0	10.2	3.4	8.7	62XLHDFXP	P-HD2S-480-400-480-360-FXP

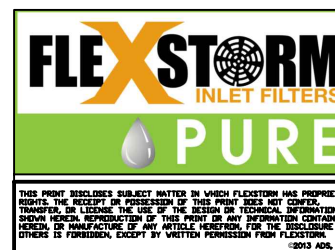
NOTES:

1. RATINGS SHOWN ARE FOR STANDARD 22" BAG DEPTH; "SHORT" 12" DEPTH BAGS ARE AVAILABLE WITH -S SUFFIX; RATINGS REDUCED BY ~50%.

2. THE FOLLOWING REQUIRES ADDITIONAL REVIEW

-GRATES WITH EXTENDED BOTTOMS

-ANY OBSTRUCTED INLET OPENINGS

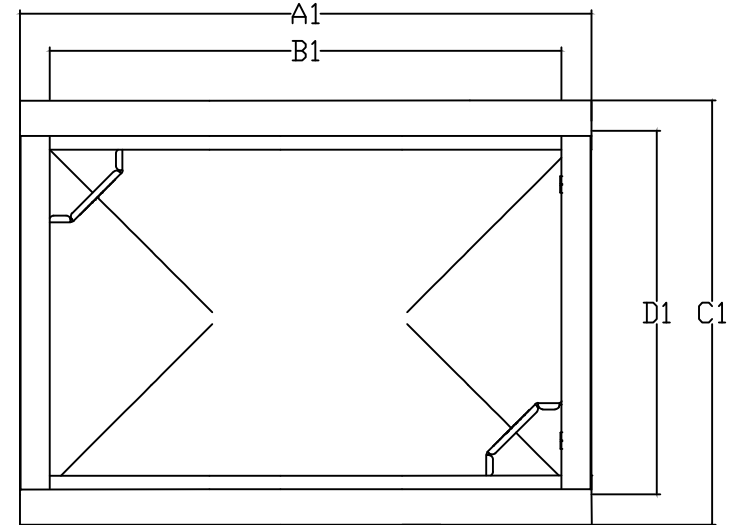
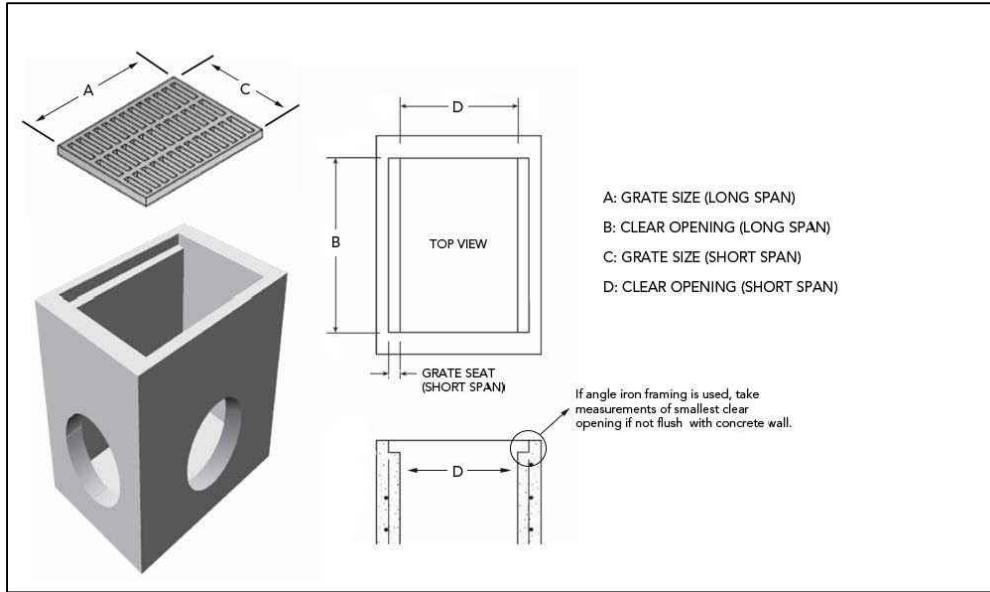


ALL PRODUCTS MANUFACTURED BY INLET & PIPE PROTECTION, INC A DIVISION OF ADS, INC.
 WWW.INLETFILTERS.COM
 (866) 287-8655 PH
 (630) 355-3477 FX
 INFO@INLETFILTERS.COM

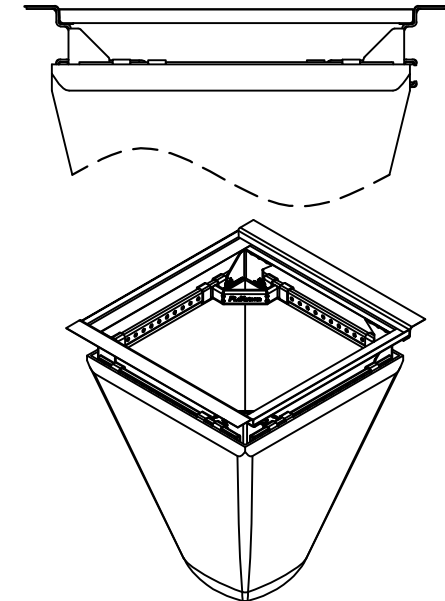
THIS PRINT RESOLVES SUBJECT MATTER IN WHICH FLEXSTORM HAS PROPRIETARY RIGHTS. THE RECEIPT OR POSSESSION OF THIS PRINT DOES NOT CONSTITUTE A TRANSFER, OR LICENSE THE USE OF THE DESIGN OR TECHNICAL INFORMATION SHOWN HEREIN. REPRODUCTION OF THIS PRINT OR ANY INFORMATION CONTAINED HEREIN, OR MANUFACTURE OF ANY ARTICLE HEREFROM, FOR THE RESOLUTION TO OTHERS IS FORBIDDEN, EXCEPT BY WRITTEN PERMISSION FROM FLEXSTORM. ©2013 ADS, INC.	SIZE	FRAME TYPE	DWG NO	REV
C	HDSQ2	HD2S-62_Q-FX	A	
SCALE	Drawn	SHEET 1 OF 1		

FLEXSTORM P/Ns 62' HDPC & 62' HDPCP

HD2S: INLET TYPE: RECTANGULAR PRECAST OPENING WITH 2 SEAT GRATE SUPPORTS ON LONG LEDGES (SHORT SPAN)



Pure Frame with PC Bag		Field Inlet Dimensions		Flexstorm Framing Dim				Flexstorm Ratings (Flow at 50% max)			Pure Frame with PC+ Bag	
ADS P/N	Flexstorm Item Code	Grate Size (A x C)	Clear Opening (B x D)	B1	D1	A1	C1	Bag Capacity (ft ³)	PC/PC+ Flow Rate (CFS)	Total Bypass (CFS)	ADS P/N	Flexstorm Item Code
62LHDPC	P-HD2S-300-260-300-240-PC	30x26	30x24	27.0	22.5	29.8	26.0	3.9	1.5	5.3	62LHDPCP	P-HD2S-300-260-300-240-PCP
62LHDPC	P-HD2S-360-278-360-240-PC	36 x 27.75	36 x 24	33.0	23.5	35.8	27.0	4.9	1.7	6.1	62LHDPCP	P-HD2S-360-278-360-240-PCP
62XLHDPC	P-HD2S-480-260-480-240-PC	48x26	48x24	45.0	22.5	47.8	26.0	6.4	2.1	7.3	62XLHDPCP	P-HD2S-480-260-480-240-PCP
62XLHDPC	P-HD2S-460-263-469-240-PC	46 x 26.25	46 7/8 x 24	44.0	22.5	46.6	26.0	6.3	2.0	7.2	62XLHDPCP	P-HD2S-460-263-469-240-PCP
62XLHDPC	P-HD2S-460-263-469-240-PC	46 x 26.25	46 7/8 x 24	44.0	22.5	46.6	26.0	6.3	2.0	7.2	62XLHDPCP	P-HD2S-460-263-469-240-PCP
62XLHDPC	P-HD2S-460-266-469-240-PC	46 x 26.25	46.87 x 24	44.0	23.0	46.6	26.5	6.4	2.0	7.2	62XLHDPCP	P-HD2S-460-266-469-240-PCP
62XLHDPC	P-HD2S-400-240-400-210-PC	40x24	40x21	37.0	20.5	39.8	24.0	4.8	1.8	6.2	62XLHDPCP	P-HD2S-400-240-400-210-PCP
62XLHDPC	P-HD2S-480-400-480-360-PC	48x40	48x36	45.0	35.5	47.8	39.0	10.2	2.5	8.7	62XLHDPCP	P-HD2S-480-400-480-360-PCP



NOTES:

1. RATINGS SHOWN ARE FOR STANDARD 22" BAG DEPTH; "SHORT" 12" DEPTH BAGS ARE AVAILABLE WITH -S SUFFIX; RATINGS REDUCED BY ~50%.

2. THE FOLLOWING REQUIRES ADDITIONAL REVIEW

-GRATES WITH EXTENDED BOTTOMS

-ANY OBSTRUCTED INLET OPENINGS



ALL PRODUCTS MANUFACTURED BY INLET & PIPE PROTECTION, INC A DIVISION OF ADS, INC.
 WWW.INLETFILTERS.COM
 (866) 287-8655 PH
 (630) 355-3477 FX
 INFO@INLETFILTERS.COM

THIS PRINT RESOLVES SUBJECT MATTER IN WHICH FLEXSTORM HAS PROPRIETARY RIGHTS. THE RECEIPT OR POSSESSION OF THIS PRINT DOES NOT CONSTITUTE A TRANSFER, OR LICENSE THE USE OF THE DESIGN OR TECHNICAL INFORMATION SHOWN HEREIN. REPRODUCTION OF THIS PRINT OR ANY INFORMATION CONTAINED HEREIN, OR MANUFACTURE OF ANY ARTICLE HEREFROM, FOR THE RESOLUTION TO OTHERS IS FORBIDDEN, EXCEPT BY WRITTEN PERMISSION FROM FLEXSTORM.				SIZE	FRAME TYPE	DWG NO	REV
C	HDSQ2	HD2S-62_HD-PC	A	SCALE		SHEET 1 OF 1	