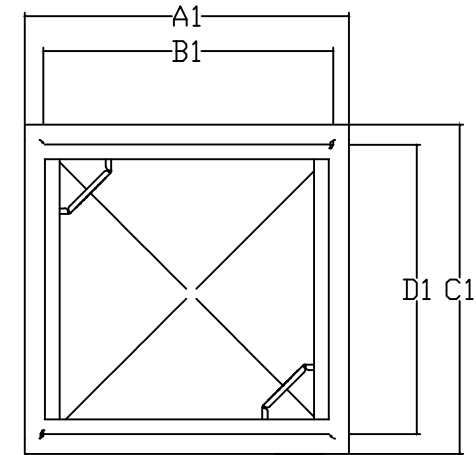
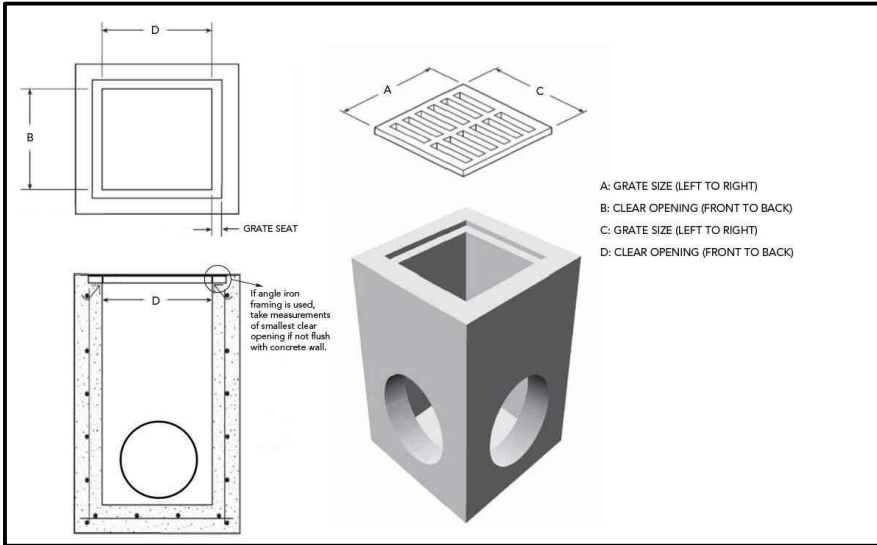
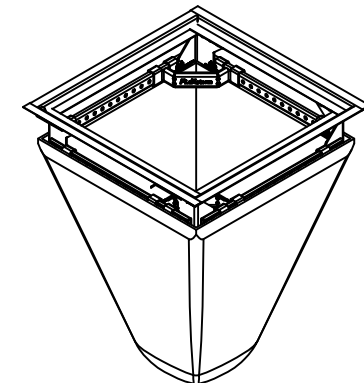
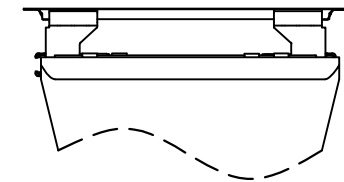


FLEXSTORM P/Ns 62SHDFX & 62SHDFXP

HD4 INLET TYPE: SQUARE/RECT PRECAST OPENING WITH 4 SEAT GRATE SUPPORT



Pure Frame with FX Bag		Field Inlet Dimensions		Flexstorm Framing Dims				Flexstorm Ratings (Flow at 50% Max)			Pure Frame with FX+ Bag	
ADS P/N	Flexstorm Item Code	Grate Size (A x C)	Clear Opening (B x D)	B1	D1	A1	C1	Bag Capacity (ft³)	PC/PC+ Flow Rate (CFS)	Bypass (CFS)	ADS P/N	Flexstorm Item Code
62SHDFX	P-HD4-95-95-80-80-FX	9 1/2 X 9 1/2	8 X 8	6.0	5.0	9.5	9.3	0.2	0.5	1.2	62SHDFXP	P-HD4-95-95-80-80-FXP
62SHDFX	P-HD4-115-115-105-105-FX	11.5 x 11.5	10.5 x 10.5	8.0	7.5	11.5	11.3	0.4	0.7	1.7	62SHDFXP	P-HD4-115-115-105-105-FXP
62SHDFX	P-HD4-118-118-105-105-FX	11.75 x 11.75	10.5 x 10.5	8.0	7.5	11.5	11.5	0.4	0.7	1.7	62SHDFXP	P-HD4-118-118-105-105-FXP
62SHDFX	P-HD4-120-120-105-105-FX	12 X 12	10.5 X 10.5	8.5	7.5	12.0	11.8	0.4	0.7	1.7	62SHDFXP	P-HD4-120-120-105-105-FXP
62SHDFX	P-HD4-134-134-116-116-FX	13.375 X 13.375	11 5/8 X 11 5/8	9.5	8.5	13.0	13.1	0.5	0.8	1.9	62SHDFXP	P-HD4-134-134-116-116-FXP
62SHDFX	P-HD4-130-130-120-120-FX	13 x 13	12 x 12	9.5	9.0	13.0	12.8	0.5	0.8	2.0	62SHDFXP	P-HD4-130-130-120-120-FXP
62SHDFX	P-HD4-144-144-133-133-FX	14.375 x 14.375	13.25 x 13.25	10.5	10.5	14.0	14.1	0.7	0.9	2.3	62SHDFXP	P-HD4-144-144-133-133-FXP
62SHDFX	P-HD4-145-145-133-133-FX	14.5 X 14.5	13.25 X 13.25	11.0	10.5	14.5	14.3	0.7	0.9	2.3	62SHDFXP	P-HD4-145-145-133-133-FXP
62SHDFX	P-HD4-159-159-143-143-FX	15.87 X 15.87	14.25 X 14.25	12.0	11.5	15.5	15.6	0.9	1.0	2.5	62SHDFXP	P-HD4-159-159-143-143-FXP
62SHDFX	P-HD4-178-178-160-160-FX	17.75 x 17.75	16 x 16	14.0	13.0	17.5	17.5	1.2	1.1	2.9	62SHDFXP	P-HD4-178-178-160-160-FXP



NOTES:

1. RATINGS SHOWN ARE FOR STANDARD 22" BAG DEPTH; "SHORT" 12" DEPTH BAGS ARE AVAILABLE WITH -S SUFFIX; RATINGS REDUCED BY ~50%.

2. THE FOLLOWING REQUIRES ADDITIONAL REVIEW

- GRATES WITH EXTENDED BOTTOMS
- ANY OBSTRUCTED INLET OPENINGS

FLEXSTORM
INLET FILTERS
PURE

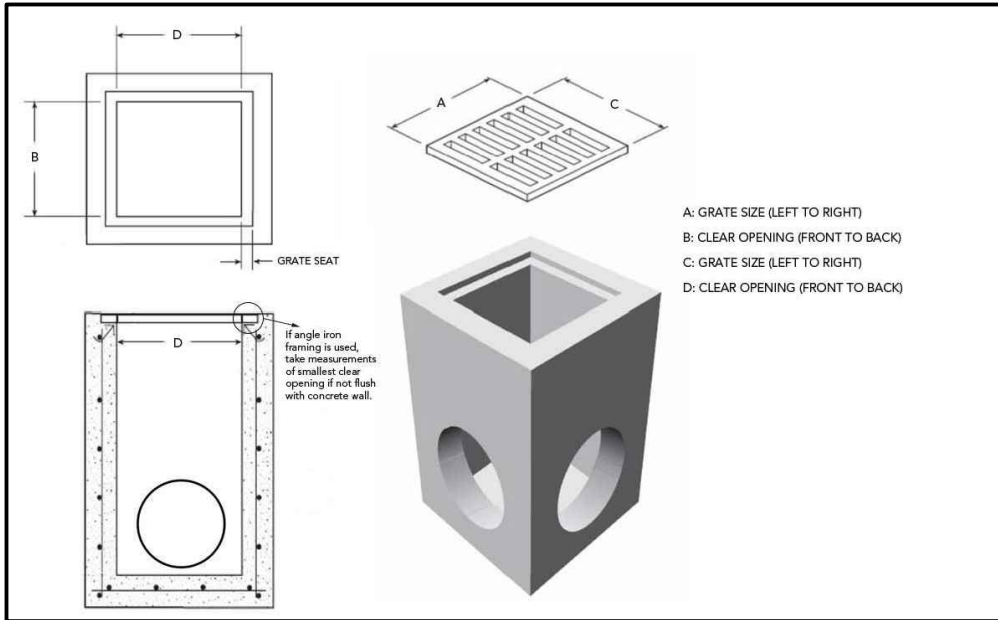
THIS PRINT DISCLOSES SUBJECT MATTER IN WHICH FLEXSTORM HAS PROPRIETARY RIGHTS. THE RECEIPT OR POSSESSION OF THIS PRINT DOES NOT CONFER, TRANSFER, OR LICENSE THE USE OF THE DESIGN OR TECHNICAL INFORMATION SHOWN HEREIN. REPRODUCTION OF THIS PRINT OR ANY INFORMATION CONTAINED HEREIN, OR MANUFACTURE OF ANY ARTICLE HEREFROM, FOR THE DISCLOSURE TO OTHERS IS FORBIDDEN, EXCEPT BY WRITTEN PERMISSION FROM FLEXSTORM. ©2013 ADS, INC.

ALL PRODUCTS MANUFACTURED BY INLET & PIPE PROTECTION, INC A DIVISION OF ADS, INC.
 WWW.INLETFILTERS.COM
 (866) 287-8655 PH
 (630) 355-3477 FX
 INFO@INLETFILTERS.COM

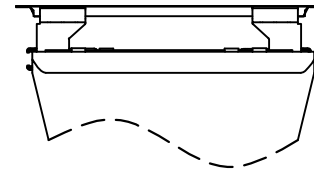
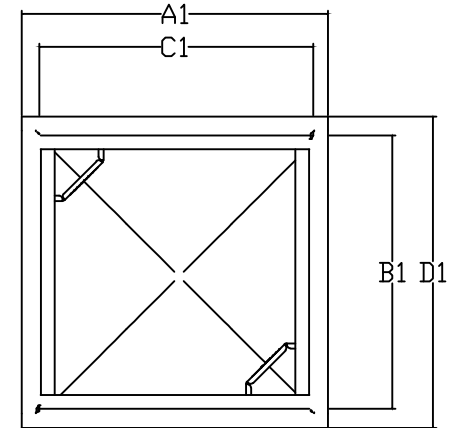
SIZE	FRAME TYPE	DWG NO	REV
C	HD4	HD4-62SHD-FX	A
SCALE	SHEET 1 OF 1		

FLEXSTORM P/Ns 62SHDPC & 62SHDPCP

HD4 INLET TYPE: SQUARE/RECT PRECAST OPENING WITH 4 SEAT GRATE SUPPORT



- A: GRATE SIZE (LEFT TO RIGHT)
- B: CLEAR OPENING (FRONT TO BACK)
- C: GRATE SIZE (LEFT TO RIGHT)
- D: CLEAR OPENING (FRONT TO BACK)



Pure Frame with PC Bag		Field Inlet Dimensions		Flexstorm Framing Dims				Flexstorm Ratings (Flow at 50% Max)			Pure Frame with PC+ Bag	
ADS P/N	Flexstorm Item Code	Grate Size (A x C)	Clear Opening (B x D)	B1	D1	A1	C1	Bag Capacity (ft ³)	PC/PC+ Flow Rate (CFS)	Bypass (CFS)	ADS P/N	Flexstorm Item Code
62SHDPC	P-HD4-95-95-80-80-PC	9 1/2 X 9 1/2	8 X 8	6.0	5.0	9.5	9.3	0.2	0.5	1.2	62SHDPCP	P-HD4-95-95-80-80-PCP
62SHDPC	P-HD4-115-115-105-105-PC	11.5 x 11.5	10.5 x 10.5	8.0	7.5	11.5	11.3	0.4	0.6	1.7	62SHDPCP	P-HD4-115-115-105-105-PCP
62SHDPC	P-HD4-118-118-105-105-PC	11.75 x 11.75	10.5 x 10.5	8.0	7.5	11.5	11.5	0.4	0.6	1.7	62SHDPCP	P-HD4-118-118-105-105-PCP
62SHDPC	P-HD4-120-120-105-105-PC	12 X 12	10.5 X 10.5	8.5	7.5	12.0	11.8	0.4	0.6	1.7	62SHDPCP	P-HD4-120-120-105-105-PCP
62SHDPC	P-HD4-134-134-116-116-PC	13.375 X 13.375	11 5/8 X 11 5/8	9.5	8.5	13.0	13.1	0.5	0.7	1.9	62SHDPCP	P-HD4-134-134-116-116-PCP
62SHDPC	P-HD4-130-130-120-120-PC	13 x 13	12 x 12	9.5	9.0	13.0	12.8	0.5	0.7	2.0	62SHDPCP	P-HD4-130-130-120-120-PCP
62SHDPC	P-HD4-144-144-133-133-PC	14.375 x 14.375	13.25 x 13.25	10.5	10.5	14.0	14.1	0.7	0.8	2.3	62SHDPCP	P-HD4-144-144-133-133-PCP
62SHDPC	P-HD4-145-145-133-133-PC	14.5 X 14.5	13.25X 13.25	11.0	10.5	14.5	14.3	0.7	0.8	2.3	62SHDPCP	P-HD4-145-145-133-133-PCP
62SHDPC	P-HD4-159-159-143-143-PC	15.87 X 15.87	14.25 X 14.25	12.0	11.5	15.5	15.6	0.9	0.8	2.5	62SHDPCP	P-HD4-159-159-143-143-PCP
62SHDPC	P-HD4-178-178-160-160-PC	17.75 x 17.75	16 x 16	14.0	13.0	17.5	17.5	1.2	1.0	2.9	62SHDPCP	P-HD4-178-178-160-160-PCP

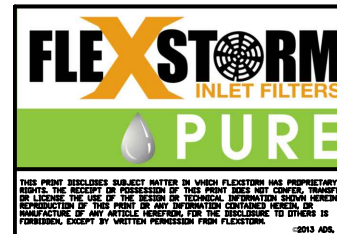
NOTES:

1. RATINGS SHOWN ARE FOR STANDARD 22" BAG DEPTH; "SHORT" 12" DEPTH BAGS ARE AVAILABLE WITH -S SUFFIX; RATINGS REDUCED BY ~50%.

2. THE FOLLOWING REQUIRES ADDITIONAL REVIEW

-GRATES WITH EXTENDED BOTTOMS

-ANY OBSTRUCTED INLET OPENINGS

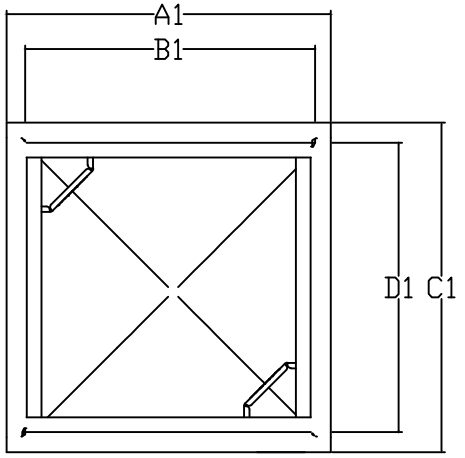
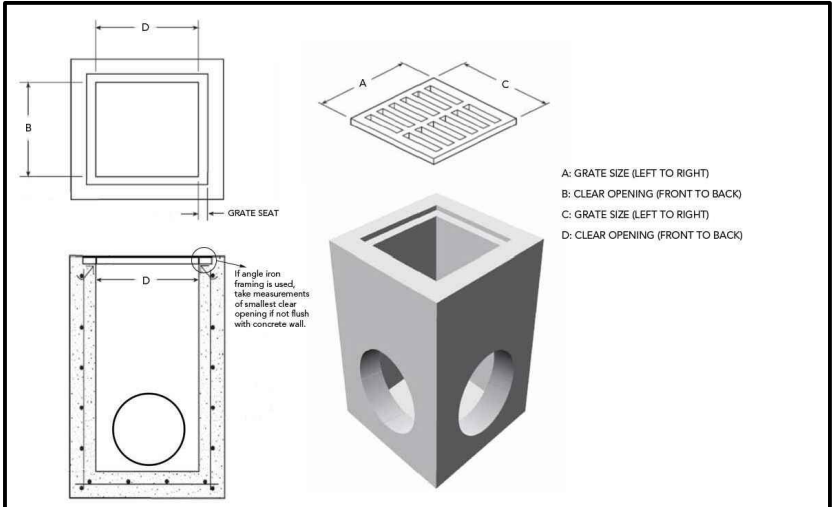


ALL PRODUCTS MANUFACTURED BY INLET & PIPE PROTECTION, INC A DIVISION OF ADS, INC. WWW.INLETFILTERS.COM (866) 287-8655 PH (630) 355-3477 FX INFO@INLETFILTERS.COM

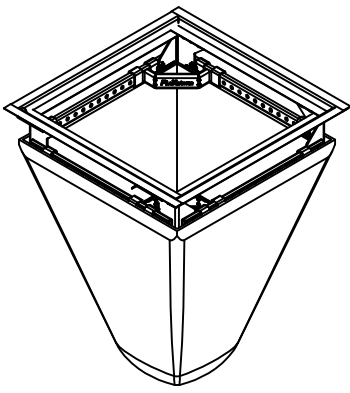
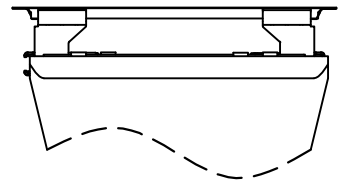
SIZE	FRAME TYPE	DWG NO	REV
C	HD4	HD4-62SHD-PC	A
SCALE			SHEET 1 OF 1

FLEXSTORM P/Ns 62MHDFX & 62MHDFXP

HD4 INLET TYPE: SQUARE/RECT PRECAST OPENING WITH 4 SEAT GRATE SUPPORT



Pure Frame with FX Bag		Field Inlet Dimensions		Flexstorm Framing Dims				Flexstorm Ratings (Flow at 50% Max)			Pure Frame with FX+ Bag	
ADS P/N	Flexstorm Item Code	Grate Size (A x C)	Clear Opening (B x D)	B1	D1	A1	C1	Bag Capacity (ft ²)	PC/PC+ Flow Rate (CFS)	Bypass (CFS)	ADS P/N	Flexstorm Item Code
62MHDFX	P-HD4-180-180-164-164-FX	18 X 18	16.375 X 16.375	14.5	13.5	18.0	17.8	1.2	1.2	3.0	62MHDFXP	P-HD4-180-180-164-164-FXP
62MHDFX	P-HD4-260-120-240-100-FX	26 x 12	24 x 10	22.5	7.0	26.0	11.8	1.0	1.2	3.2	62MHDFXP	P-HD4-260-120-240-100-FXP
62MHDFX	P-HD4-210-180-190-160-FX	21x18	19x16	17.5	13.0	21.0	17.8	1.4	1.3	3.3	62MHDFXP	P-HD4-210-180-190-160-FXP
62MHDFX	P-HD4-259-139-240-120-FX	25.87 x 13.87	24 x 12	22.0	9.0	25.5	13.6	1.3	1.3	3.3	62MHDFXP	P-HD4-259-139-240-120-FXP
62MHDFX	P-HD4-215-215-180-180-FX	21.5 x 21.5	18 x 18	17.5	15.0	21.0	17.8	1.7	1.4	3.5	62MHDFXP	P-HD4-215-215-180-180-FXP
62MHDFX	P-HD4-275-133-253-113-FX	27.5 x 13.25	25.25 x 11.25	24.0	8.5	27.5	13.0	1.3	1.4	3.5	62MHDFXP	P-HD4-275-133-253-113-FXP
62MHDFX	P-HD4-198-198-183-183-FX	19.75 X 19.75	18.25 X 18.25	16.0	15.5	19.5	19.5	1.6	1.3	3.4	62MHDFXP	P-HD4-198-198-183-183-FXP
62MHDFX	P-HD4-273-133-253-113-FX	27.25 x 13.25	25.25 x 11.25	23.5	8.5	27.0	13.0	1.3	1.4	3.4	62MHDFXP	P-HD4-273-133-253-113-FXP
62MHDFX	P-HD4-240-180-220-160-FX	24x18	22x16	20.5	13.0	24.0	17.8	1.7	1.4	3.6	62MHDFXP	P-HD4-240-180-220-160-FXP
62MHDFX	P-HD4-238-180-220-163-FX	23.75 x 18	22 x 16.25	20.0	13.5	23.5	17.8	1.7	1.4	3.6	62MHDFXP	P-HD4-238-180-220-163-FXP
62MHDFX	P-HD4-240-200-220-180-FX	24x20	22x18	20.5	15.0	24.0	19.8	2.0	1.5	3.8	62MHDFXP	P-HD4-240-200-220-180-FXP
62MHDFX	P-HD4-360-200-240-180-FX	36 x 20	24 x 18	23.5	15.0	27.0	17.8	2.2	1.6	4.1	62MHDFXP	P-HD4-360-200-240-180-FXP
62MHDFX	P-HD4-240-240-214-214-FX	24 x 24	21.375 x 21.375	20.5	18.5	24.0	23.8	2.4	1.7	4.2	62MHDFXP	P-HD4-240-240-214-214-FXP
62MHDFX	P-HD4-240-240-216-216-FX	24 x 24	21.62 x 21.62	20.5	18.5	24.0	23.8	2.4	1.7	4.2	62MHDFXP	P-HD4-240-240-216-216-FXP
62MHDFX	P-HD4-301-180-278-158-FX	30.06 x 18	27.75 x 15.75	26.5	13.0	30.0	17.8	2.2	1.7	4.3	62MHDFXP	P-HD4-301-180-278-158-FXP
62MHDFX	P-HD4-398-178-278-158-FX	29.75 x 17.75	27.75 x 15.75	27.5	13.0	31.0	15.5	2.3	1.7	4.4	62MHDFXP	P-HD4-398-178-278-158-FXP
62MHDFX	P-HD4-238-238-220-220-FX	23.75 x 23.75	22 x 22	20.0	19.0	23.5	23.5	2.4	1.7	4.2	62MHDFXP	P-HD4-238-238-220-220-FXP
62MHDFX	P-HD4-240-240-220-220-FX	24x24	22x22	20.5	19.0	24.0	23.8	2.5	1.7	4.3	62MHDFXP	P-HD4-240-240-220-220-FXP
62MHDFX	P-HD4-263-230-230-214-FX	26.25 x 23	23 x 21.375	22.5	18.5	26.0	21.1	2.6	1.7	4.4	62MHDFXP	P-HD4-263-230-230-214-FXP
62MHDFX	P-HD4-300-180-283-163-FX	30 x 18	28.25 x 16.25	26.5	13.5	30.0	17.8	2.3	1.7	4.3	62MHDFXP	P-HD4-300-180-283-163-FXP
62MHDFX	P-HD4-240-240-223-223-FX	24 X 24	22.25 X 22.25	20.5	19.5	24.0	23.8	2.5	1.7	4.3	62MHDFXP	P-HD4-240-240-223-223-FXP
62MHDFX	P-HD4-288-210-265-183-FX	28.75 x 21	26.5 x 18.25	25.0	15.5	28.5	20.8	2.5	1.7	4.4	62MHDFXP	P-HD4-288-210-265-183-FXP
62MHDFX	P-HD4-268-238-240-210-FX	26.75 x 23.75	24 x 21	23.0	18.0	26.5	23.5	2.6	1.7	4.4	62MHDFXP	P-HD4-268-238-240-210-FXP
62MHDFX	P-HD4-240-240-225-225-FX	24 x 24	22.5 x 22.5	20.5	19.5	24.0	23.8	2.5	1.7	4.3	62MHDFXP	P-HD4-240-240-225-225-FXP
62MHDFX	P-HD4-260-240-240-220-FX	26 x 24	24 x 22	22.5	19.0	26.0	23.8	2.7	1.8	4.5	62MHDFXP	P-HD4-260-240-240-220-FXP
62MHDFX	P-HD4-258-258-238-238-FX	25.75 x 25.75	23.75 x 23.75	22.0	21.0	25.5	25.5	2.9	1.8	4.6	62MHDFXP	P-HD4-258-258-238-238-FXP
62MHDFX	P-HD4-258-258-240-240-FX	25.75 x 25.75	24 x 24	22.0	21.0	25.5	25.5	2.9	1.8	4.6	62MHDFXP	P-HD4-258-258-240-240-FXP



NOTES:

- RATINGS SHOWN ARE FOR STANDARD 22" BAG DEPTH; "SHORT" 12" DEPTH BAGS ARE AVAILABLE WITH -S SUFFIX; RATINGS REDUCED BY ~50%.
- THE FOLLOWING REQUIRES ADDITIONAL REVIEW
 - GRATES WITH EXTENDED BOTTOMS
 - ANY OBSTRUCTED INLET OPENINGS

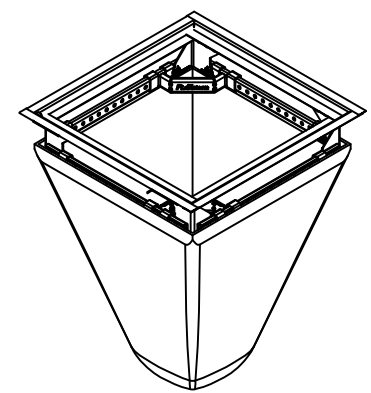
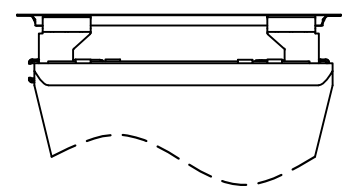
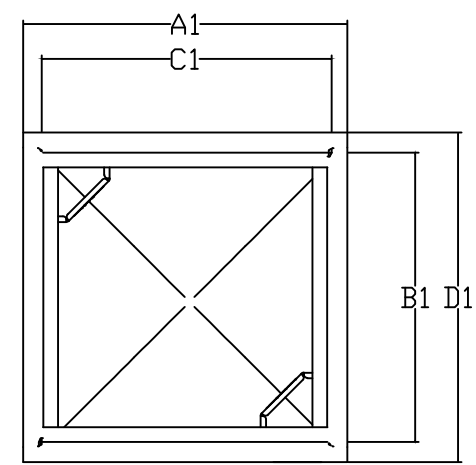
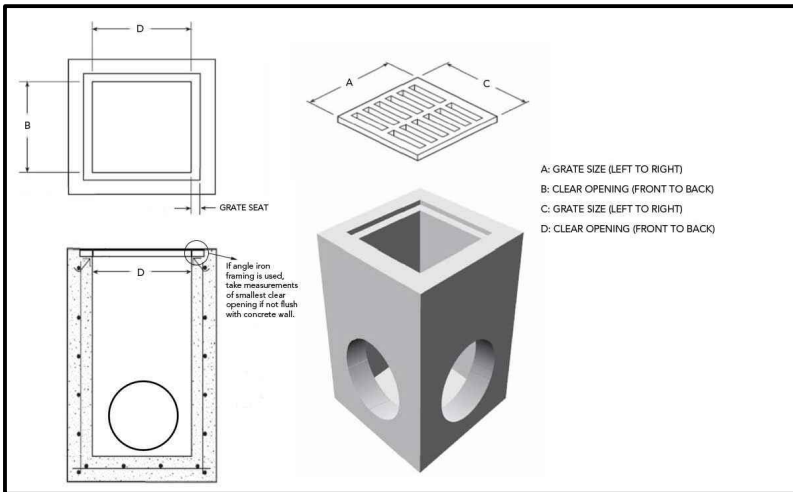
FLEXSTORM
INLET FILTERS
PURE

ALL PRODUCTS MANUFACTURED BY INLET & PIPE PROTECTION, INC A DIVISION OF ADS, INC.
 WWW.INLETFILTERS.COM
 (866) 287-8655 PH
 (630) 355-3477 FX
 INFO@INLETFILTERS.COM

THIS PRINT DISCLOSES SUBJECT MATTER IN WHICH FLEXSTORM HAS PROPRIETARY RIGHTS. THE RECEIPT OR POSSESSION OF THIS PRINT DOES NOT CONVEY, TRANSFER, OR LICENSE THE USE OF THE DESIGN OR TECHNICAL INFORMATION SHOWN HEREIN. REPRODUCTION OF THIS PRINT OR ANY INFORMATION CONTAINED HEREIN, OR MANUFACTURE OF ANY ARTICLE HEREFROM, FOR THE DISCLOSURE TO OTHERS IS FORBIDDEN, EXCEPT BY WRITTEN PERMISSION FROM FLEXSTORM. ©2013 ADS, INC.	SIZE	FRAME TYPE	DWG NO	REV
C	HD4		HD4-62MHD-FX	A
SCALE	SHEET 1 OF 1			

FLEXSTORM P/Ns 62MHDPC & 62MHDPCP

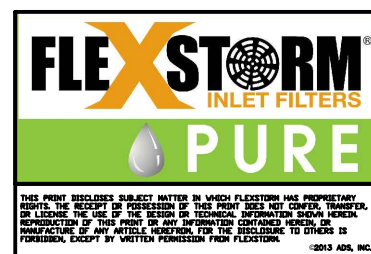
HD4 INLET TYPE: SQUARE/RECT PRECAST OPENING WITH 4 SEAT GRATE SUPPORT



Pure Frame with PC Bag		Field Inlet Dimensions		Flexstorm Framing Dims				Flexstorm Ratings (Flow at 50% Max)			Pure Frame with PC+ Bag	
ADS P/N	Flexstorm Item Code	Grate Size (A x C)	Clear Opening (B x D)	B1	D1	A1	C1	Bag Capacity (ft³)	PC/PC+ Flow Rate (CFS)	Bypass (CFS)	ADS P/N	Flexstorm Item Code
62MHDPC	P-HD4-180-180-164-164-PC	18 X 18	16.375 X 16.375	14.5	13.5	18.0	17.8	1.2	1.0	3.0	62MHDPCP	P-HD4-180-180-164-164-PCP
62MHDPC	P-HD4-260-120-240-100-PC	26 x 12	24 x 10	22.5	7.0	26.0	11.8	1.0	1.0	3.2	62MHDPCP	P-HD4-260-120-240-100-PCP
62MHDPC	P-HD4-210-180-190-160-PC	21x18	19x16	17.5	13.0	21.0	17.8	1.4	1.0	3.3	62MHDPCP	P-HD4-210-180-190-160-PCP
62MHDPC	P-HD4-259-139-240-120-PC	25.87 x 13.87	24 x 12	22.0	9.0	25.5	13.6	1.3	1.1	3.3	62MHDPCP	P-HD4-259-139-240-120-PCP
62MHDPC	P-HD4-215-215-180-180-PC	21.5 x 21.5	18 x 18	17.5	15.0	21.0	17.8	1.7	1.1	3.5	62MHDPCP	P-HD4-215-215-180-180-PCP
62MHDPC	P-HD4-275-133-253-113-PC	27.5 x 13.25	25.25 x 11.25	24.0	8.5	27.5	13.0	1.3	1.1	3.5	62MHDPCP	P-HD4-275-133-253-113-PCP
62MHDPC	P-HD4-198-198-183-183-PC	19.75 X 19.75	18.25 X 18.25	16.0	15.5	19.5	19.5	1.6	1.1	3.4	62MHDPCP	P-HD4-198-198-183-183-PCP
62MHDPC	P-HD4-273-133-253-113-PC	27.25 x 13.25	25.25 x 11.25	23.5	8.5	27.0	13.0	1.3	1.1	3.4	62MHDPCP	P-HD4-273-133-253-113-PCP
62MHDPC	P-HD4-240-180-220-160-PC	24x18	22x16	20.5	13.0	24.0	17.8	1.7	1.1	3.6	62MHDPCP	P-HD4-240-180-220-160-PCP
62MHDPC	P-HD4-238-180-220-163-PC	23.75 x 18	22 x 16.25	20.0	13.5	23.5	17.8	1.7	1.1	3.6	62MHDPCP	P-HD4-238-180-220-163-PCP
62MHDPC	P-HD4-240-200-220-180-PC	24x20	22x18	20.5	15.0	24.0	19.8	2.0	1.2	3.8	62MHDPCP	P-HD4-240-200-220-180-PCP
62MHDPC	P-HD4-360-200-240-180-PC	36 x 20	24 x 18	23.5	15.0	27.0	17.8	2.2	1.2	4.1	62MHDPCP	P-HD4-360-200-240-180-PCP
62MHDPC	P-HD4-240-240-214-214-PC	24 x 24	21.375 x 21.375	20.5	18.5	24.0	23.8	2.4	1.3	4.2	62MHDPCP	P-HD4-240-240-214-214-PCP
62MHDPC	P-HD4-240-240-216-216-PC	24 x 24	21.62 x 21.62	20.5	18.5	24.0	23.8	2.4	1.3	4.2	62MHDPCP	P-HD4-240-240-216-216-PCP
62MHDPC	P-HD4-301-180-278-158-PC	30.06 x 18	27.75 x 15.75	26.5	13.0	30.0	17.8	2.2	1.3	4.3	62MHDPCP	P-HD4-301-180-278-158-PCP
62MHDPC	P-HD4-398-178-278-158-PC	29.75 x 17.75	27.75 x 15.75	27.5	13.0	31.0	15.5	2.3	1.3	4.4	62MHDPCP	P-HD4-398-178-278-158-PCP
62MHDPC	P-HD4-238-238-220-220-PC	23.75 x 23.75	22 x 22	20.0	19.0	23.5	23.5	2.4	1.3	4.2	62MHDPCP	P-HD4-238-238-220-220-PCP
62MHDPC	P-HD4-240-240-220-220-PC	24x24	22x22	20.5	19.0	24.0	23.8	2.5	1.3	4.3	62MHDPCP	P-HD4-240-240-220-220-PCP
62MHDPC	P-HD4-263-230-230-214-PC	26.25 x 23	23 x 21.375	22.5	18.5	26.0	21.1	2.6	1.3	4.4	62MHDPCP	P-HD4-263-230-230-214-PCP
62MHDPC	P-HD4-300-180-283-163-PC	30 x 18	28.25 x 16.25	26.5	13.5	30.0	17.8	2.3	1.3	4.3	62MHDPCP	P-HD4-300-180-283-163-PCP
62MHDPC	P-HD4-240-240-223-223-PC	24 X 24	22.25 X 22.25	20.5	19.5	24.0	23.8	2.5	1.3	4.3	62MHDPCP	P-HD4-240-240-223-223-PCP
62MHDPC	P-HD4-288-210-265-183-PC	28.75 x 21	26.5 x 18.25	25.0	15.5	28.5	20.8	2.5	1.3	4.4	62MHDPCP	P-HD4-288-210-265-183-PCP
62MHDPC	P-HD4-268-238-240-210-PC	26.75 x 23.75	24 x 21	23.0	18.0	26.5	23.5	2.6	1.3	4.4	62MHDPCP	P-HD4-268-238-240-210-PCP
62MHDPC	P-HD4-240-240-225-225-PC	24 x 24	22.5 x 22.5	20.5	19.5	24.0	23.8	2.5	1.3	4.3	62MHDPCP	P-HD4-240-240-225-225-PCP
62MHDPC	P-HD4-260-240-240-220-PC	26 x 24	24 x 22	22.5	19.0	26.0	23.8	2.7	1.4	4.5	62MHDPCP	P-HD4-260-240-240-220-PCP
62MHDPC	P-HD4-258-258-238-238-PC	25.75 x 25.75	23.75 x 23.75	22.0	21.0	25.5	25.5	2.9	1.4	4.6	62MHDPCP	P-HD4-258-258-238-238-PCP
62MHDPC	P-HD4-258-258-240-240-PC	25.75 x 25.75	24 x 24	22.0	21.0	25.5	25.5	2.9	1.4	4.6	62MHDPCP	P-HD4-258-258-240-240-PCP

NOTES:

- RATINGS SHOWN ARE FOR STANDARD 22" BAG DEPTH; "SHORT" 12" DEPTH BAGS ARE AVAILABLE WITH -S SUFFIX; RATINGS REDUCED BY ~50%.
- THE FOLLOWING REQUIRES ADDITIONAL REVIEW
 - GRATES WITH EXTENDED BOTTOMS
 - ANY OBSTRUCTED INLET OPENINGS

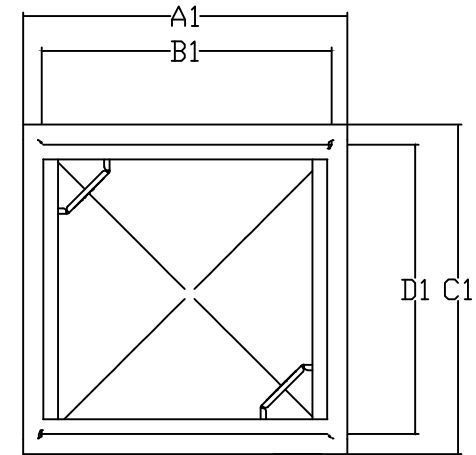
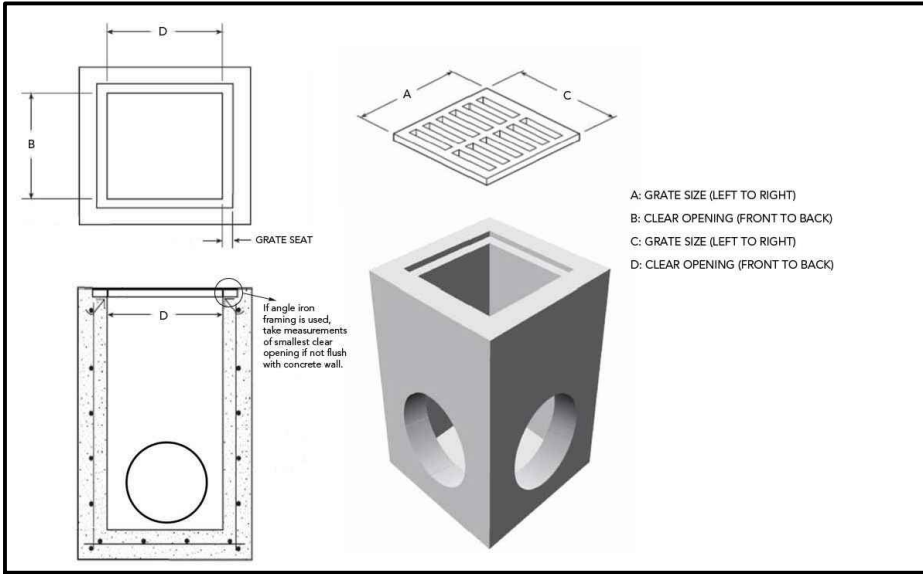


ALL PRODUCTS MANUFACTURED BY INLET & PIPE PROTECTION, INC A DIVISION OF ADS, INC.
 WWW.INLETFILTERS.COM
 (866) 287-8655 PH
 (630) 355-3477 FX
 INFO@INLETFILTERS.COM

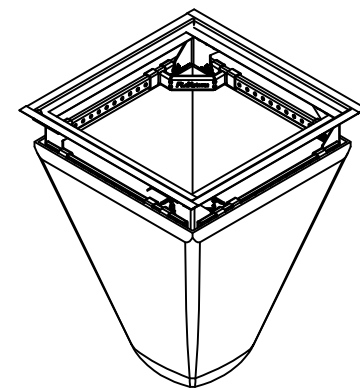
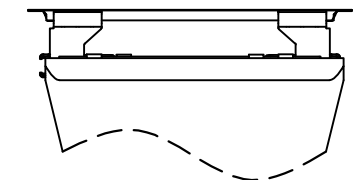
SIZE	FRAME TYPE	DWG NO	REV
C	HD4	HD4-62MHD-PC	A
SCALE	SHEET 1 OF 1		

FLEXSTORM P/Ns 62LHDFX & 62LHDFXP

HD4 INLET TYPE: SQUARE/RECT PRECAST OPENING WITH 4 SEAT GRATE SUPPORT



Pure Frame with FX Bag		Field Inlet Dimensions		Flexstorm Framing Dims				Flexstorm Ratings (Flow at 50% Max)			Pure Frame with FX+ Bag	
ADS P/N	Flexstorm Item Code	Grate Size (A x C)	Clear Opening (B x D)	B1	D1	A1	C1	Bag Capacity (ft³)	PC/PC+ Flow Rate (CFS)	Bypass (CFS)	ADS P/N	Flexstorm Item Code
62LHDFX	P-HD4-258-258-243-243-FX	25.75 x 25.75	24.25 x 24.25	22.0	21.5	25.5	25.5	3.0	1.8	4.7	62LHDFXP	P-HD4-258-258-243-243-FXP
62LHDFX	P-HD4-338-218-304-184-FX	33.75 x 21.75	30.375 x 18.375	30.0	15.5	33.5	18.1	3.0	1.9	4.9	62LHDFXP	P-HD4-338-218-304-184-FXP
62LHDFX	P-HD4-280-280-245-245-FX	28 x 28	24.5 x 24.5	24.0	21.5	27.5	24.3	3.3	1.9	4.9	62LHDFXP	P-HD4-280-280-245-245-FXP
62LHDFX	P-HD4-358-179-336-156-FX	35.75 x 17.87	33.62 x 15.62	32.0	12.5	35.5	17.6	2.5	1.9	4.8	62LHDFXP	P-HD4-358-179-336-156-FXP
62LHDFX	P-HD4-338-218-314-194-FX	33.75 x 21.75	31.375 x 19.375	30.0	16.5	33.5	21.5	3.2	2.0	5.0	62LHDFXP	P-HD4-338-218-314-194-FXP
62LHDFX	P-HD4-279-279-258-258-FX	27.875 x 27.875	25.75 x 25.75	24.0	23.0	27.5	27.6	3.5	2.0	5.1	62LHDFXP	P-HD4-279-279-258-258-FXP
62LHDFX	P-HD4-280-280-259-259-FX	28 x 28	25.87 x 25.87	24.5	23.0	28.0	27.8	3.6	2.0	5.1	62LHDFXP	P-HD4-280-280-259-259-FXP
62LHDFX	P-HD4-360-200-340-180-FX	36 x 20	34 x 18	32.5	15.0	36.0	19.8	3.1	2.0	5.1	62LHDFXP	P-HD4-360-200-340-180-FXP
62LHDFX	P-HD4-290-290-261-261-FX	29 x 29	26.1 x 26.1	25.5	23.0	29.0	28.8	3.7	2.1	5.2	62LHDFXP	P-HD4-290-290-261-261-FXP
62LHDFX	P-HD4-319-259-304-246-FX	31.87 x 25.87	30.375 x 24.62	28.0	21.5	31.5	25.6	3.8	2.1	5.3	62LHDFXP	P-HD4-319-259-304-246-FXP
62LHDFX	P-HD4-360-240-335-215-FX	36 x 24	33.5 x 21.5	32.5	18.5	36.0	23.8	3.8	2.2	5.5	62LHDFXP	P-HD4-360-240-335-215-FXP
62LHDFX	P-HD4-358-238-340-220-FX	35.75 x 23.75	34 x 22	32.0	19.0	35.5	23.5	3.9	2.2	5.5	62LHDFXP	P-HD4-358-238-340-220-FXP
62LHDFX	P-HD4-300-300-280-280-FX	30 x 30	28 x 28	26.5	25.0	30.0	29.8	4.2	2.2	5.6	62LHDFXP	P-HD4-300-300-280-280-FXP
62LHDFX	P-HD4-320-320-280-280-FX	32x32	28x28	27.5	25.0	31.0	27.8	4.4	2.2	5.7	62LHDFXP	P-HD4-320-320-280-280-FXP
62LHDFX	P-HD4-360-240-341-221-FX	36 x 24	34.125 x 22.125	32.5	19.0	36.0	23.8	3.9	2.2	5.6	62LHDFXP	P-HD4-360-240-341-221-FXP
62LHDFX	P-HD4-360-240-345-225-FX	36 x 24	34.5 x 22.5	32.5	19.5	36.0	23.8	4.0	2.2	5.6	62LHDFXP	P-HD4-360-240-345-225-FXP
62LHDFX	P-HD4-450-225-406-180-FX	45 x 22.5	40.58 x 18	40.0	15.0	43.5	17.8	3.8	2.3	5.9	62LHDFXP	P-HD4-450-225-406-180-FXP
62LHDFX	P-HD4-390-239-375-224-FX	39 x 23.87	37.5 x 22.375	35.5	19.5	39.0	23.6	4.4	2.3	5.9	62LHDFXP	P-HD4-390-239-375-224-FXP
62LHDFX	P-HD4-359-279-340-260-FX	35.87 x 27.87	34 x 26	32.0	23.0	35.5	27.6	4.7	2.3	5.9	62LHDFXP	P-HD4-359-279-340-260-FXP
62LHDFX	P-HD4-400-280-360-240-FX	40x28	36x24	35.5	21.0	39.0	23.8	4.7	2.4	6.1	62LHDFXP	P-HD4-400-280-360-240-FXP



NOTES:

- RATINGS SHOWN ARE FOR STANDARD 22" BAG DEPTH; "SHORT" 12" DEPTH BAGS ARE AVAILABLE WITH -S SUFFIX; RATINGS REDUCED BY ~50%.
- THE FOLLOWING REQUIRES ADDITIONAL REVIEW
 - GRATES WITH EXTENDED BOTTOMS
 - ANY OBSTRUCTED INLET OPENINGS

FLEXSTORM
INLET FILTERS
PURE

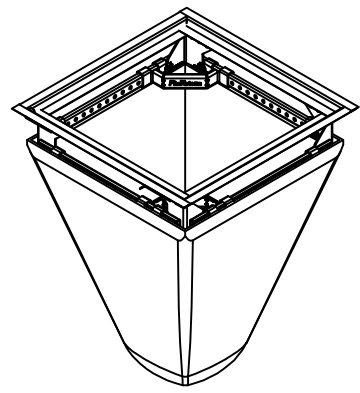
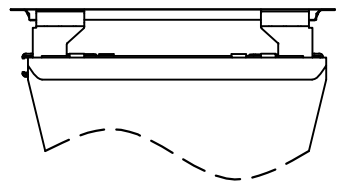
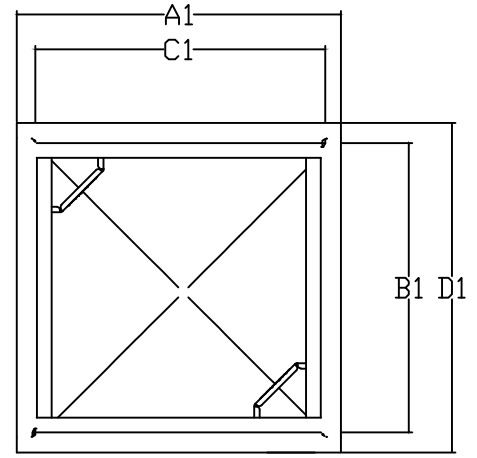
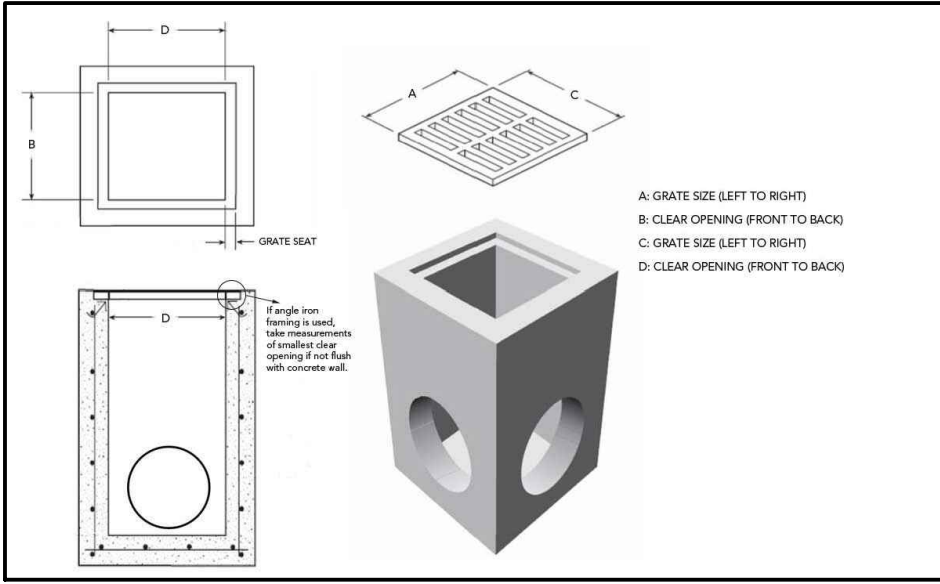
THIS PRINT DISCLOSES SUBJECT MATTER IN WHICH FLEXSTORM HAS PROPRIETARY RIGHTS. THE RECEIPT OF POSSESSION OF THIS PRINT DOES NOT CONVEY, TRANSFER, OR LICENSE THE USE OF THE DESIGN OR TECHNICAL INFORMATION SHOWN HEREIN. REPRODUCTION OF THIS PRINT OR ANY INFORMATION CONTAINED HEREIN, OR MANUFACTURE OF ANY ARTICLE HEREFROM, FOR THE DISCLOSURE TO OTHERS IS FORBIDDEN, EXCEPT BY WRITTEN PERMISSION FROM FLEXSTORM. ©2013 ADS, INC.

ALL PRODUCTS MANUFACTURED BY INLET & PIPE PROTECTION, INC A DIVISION OF ADS, INC.
WWW.INLETFILTERS.COM
 (866) 287-8655 PH
 (630) 355-3477 FX
INFO@INLETFILTERS.COM

SIZE	FRAME TYPE	DWG NO	REV
C	HD4	HD4-62LHD-FX	A
SCALE	SHEET 1 OF 1		

FLEXSTORM P/Ns 62LHDPC & 62LHDPCP

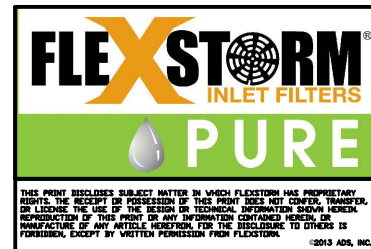
HD4 INLET TYPE: SQUARE/RECT PRECAST OPENING WITH 4 SEAT GRATE SUPPORT



Pure Frame with PC Bag		Field Inlet Dimensions		Flexstorm Framing Dims				Flexstorm Ratings (Flow at 50% Max)			Pure Frame with PC+ Bag	
ADS P/N	Flexstorm Item Code	Grate Size (A x C)	Clear Opening (B x D)	B1	D1	A1	C1	Bag Capacity (ft ³)	PG/PC+ Flow Rate (CFS)	Bypass (CFS)	ADS P/N	Flexstorm Item Code
62LHDPC	P-HD4-258-258-243-243-PC	25.75 X 25.75	24.25 X 24.25	22.0	21.5	25.5	25.5	3.0	1.4	4.7	62LHDPCP	P-HD4-258-258-243-243-PCP
62LHDPC	P-HD4-338-218-304-184-PC	33.75 x 21.75	30.375 x 18.375	30.0	15.5	33.5	18.1	3.0	1.4	4.9	62LHDPCP	P-HD4-338-218-304-184-PCP
62LHDPC	P-HD4-280-280-245-245-PC	28 x 28	24.5 x 24.5	24.0	21.5	27.5	24.3	3.3	1.5	4.9	62LHDPCP	P-HD4-280-280-245-245-PCP
62LHDPC	P-HD4-358-179-336-156-PC	35.75x 17.87	33.62 x 15.62	32.0	12.5	35.5	17.6	2.5	1.5	4.8	62LHDPCP	P-HD4-358-179-336-156-PCP
62LHDPC	P-HD4-338-218-314-194-PC	33.75 x 21.75	31.375 x 19.375	30.0	16.5	33.5	21.5	3.2	1.5	5.0	62LHDPCP	P-HD4-338-218-314-194-PCP
62LHDPC	P-HD4-279-279-258-258-PC	27.875 x 27.875	25.75 x 25.75	24.0	23.0	27.5	27.6	3.5	1.5	5.1	62LHDPCP	P-HD4-279-279-258-258-PCP
62LHDPC	P-HD4-280-280-259-259-PC	28 X 28	25.87 X 25.87	24.5	23.0	28.0	27.8	3.6	1.5	5.1	62LHDPCP	P-HD4-280-280-259-259-PCP
62LHDPC	P-HD4-360-200-340-180-PC	36 x 20	34 x 18	32.5	15.0	36.0	19.8	3.1	1.5	5.1	62LHDPCP	P-HD4-360-200-340-180-PCP
62LHDPC	P-HD4-290-290-261-261-PC	29 x 29	26.1 x 26.1	25.5	23.0	29.0	28.8	3.7	1.6	5.2	62LHDPCP	P-HD4-290-290-261-261-PCP
62LHDPC	P-HD4-319-259-304-246-PC	31.87 x 25.87	30.375 x 24.62	28.0	21.5	31.5	25.6	3.8	1.6	5.3	62LHDPCP	P-HD4-319-259-304-246-PCP
62LHDPC	P-HD4-360-240-335-215-PC	36 x 24	33.5 x 21.5	32.5	18.5	36.0	23.8	3.8	1.6	5.5	62LHDPCP	P-HD4-360-240-335-215-PCP
62LHDPC	P-HD4-358-238-340-220-PC	35.75 x 23.75	34 x 22	32.0	19.0	35.5	23.5	3.9	1.7	5.5	62LHDPCP	P-HD4-358-238-340-220-PCP
62LHDPC	P-HD4-300-300-280-280-PC	30 x 30	28 x 28	26.5	25.0	30.0	29.8	4.2	1.7	5.6	62LHDPCP	P-HD4-300-300-280-280-PCP
62LHDPC	P-HD4-320-320-280-280-PC	32x32	28x28	27.5	25.0	31.0	27.8	4.4	1.7	5.7	62LHDPCP	P-HD4-320-320-280-280-PCP
62LHDPC	P-HD4-360-240-341-221-PC	36 x 24	34.125 x 22.125	32.5	19.0	36.0	23.8	3.9	1.7	5.6	62LHDPCP	P-HD4-360-240-341-221-PCP
62LHDPC	P-HD4-360-240-345-225-PC	36 x 24	34.5 x 22.5	32.5	19.5	36.0	23.8	4.0	1.7	5.6	62LHDPCP	P-HD4-360-240-345-225-PCP
62LHDPC	P-HD4-450-225-406-180-PC	45 x 22.5	40.58 x 18	40.0	15.0	43.5	17.8	3.8	1.7	5.9	62LHDPCP	P-HD4-450-225-406-180-PCP
62LHDPC	P-HD4-390-239-375-224-PC	39 x 23.87	37.5 x 22.375	35.5	19.5	39.0	23.6	4.4	1.8	5.9	62LHDPCP	P-HD4-390-239-375-224-PCP
62LHDPC	P-HD4-359-279-340-260-PC	35.87 x 27.87	34 x 26	32.0	23.0	35.5	27.6	4.7	1.8	5.9	62LHDPCP	P-HD4-359-279-340-260-PCP
62LHDPC	P-HD4-400-280-360-240-PC	40x28	36x24	35.5	21.0	39.0	23.8	4.7	1.8	6.1	62LHDPCP	P-HD4-400-280-360-240-PCP

NOTES:

- RATINGS SHOWN ARE FOR STANDARD 22" BAG DEPTH; "SHORT" 12" DEPTH BAGS ARE AVAILABLE WITH -S SUFFIX; RATINGS REDUCED BY ~50%.
- THE FOLLOWING REQUIRES ADDITIONAL REVIEW
 - GRATES WITH EXTENDED BOTTOMS
 - ANY OBSTRUCTED INLET OPENINGS

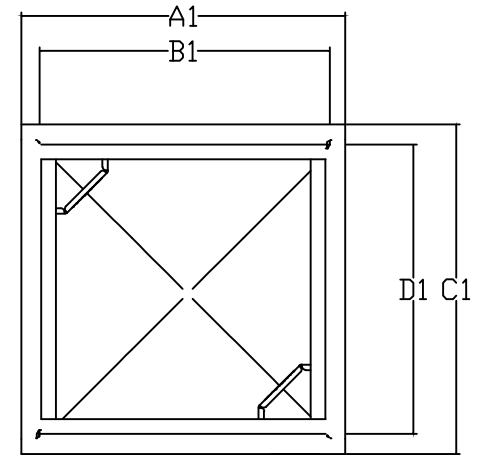
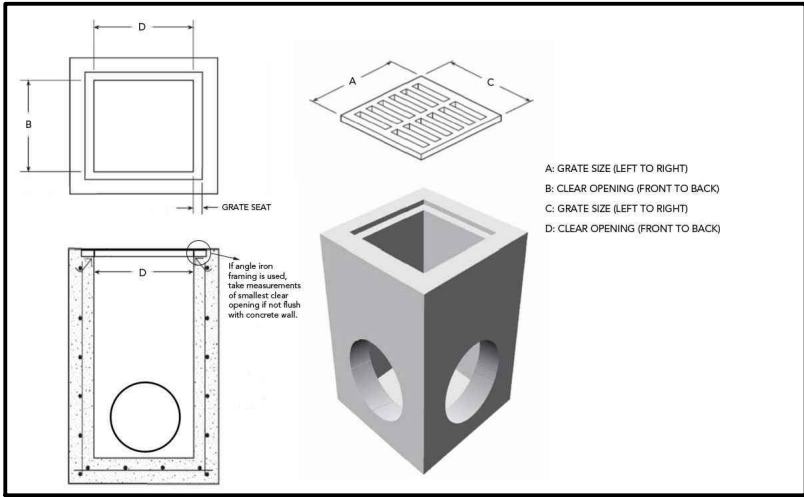


ALL PRODUCTS MANUFACTURED BY INLET & PIPE PROTECTION, INC A DIVISION OF ADS, INC. WWW.INLETFILTERS.COM (866) 287-8655 PH (630) 355-3477 FX INFO@INLETFILTERS.COM

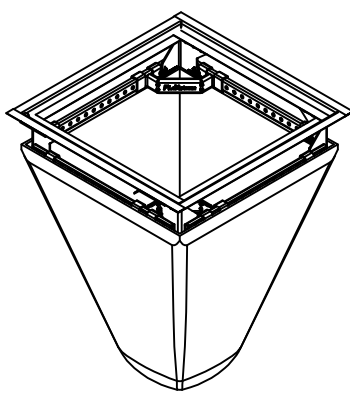
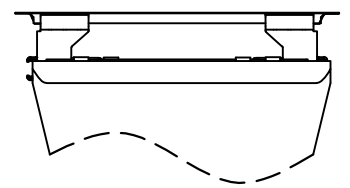
THIS PRINT DISCLOSES SUBJECT MATTER IN WHICH FLEXSTORM HAS PROPRIETARY RIGHTS. THE RECEIPT OR POSSESSION OF THIS PRINT DOES NOT CONVEY, TRANSFER, OR LICENSE THE USE OF THE DESIGN OR TECHNICAL INFORMATION SHOWN HEREIN. REPRODUCTION OF THIS PRINT OR ANY INFORMATION CONTAINED HEREIN OR MANUFACTURE OF ANY ARTICLE HEREFROM, FOR THE DISCLOSURE TO OTHERS IS FORBIDDEN, EXCEPT BY WRITTEN PERMISSION FROM FLEXSTORM. ©2013 ADS, INC.	SIZE C	FRAME TYPE HD4	DWG NO HD4-62LHD-PC	REV A
SCALE	SHEET 1 OF 1			

FLEXSTORM P/Ns 62XLHDFX & 62XLHDFXP

HD4 INLET TYPE: SQUARE/RECT PRECAST OPENING WITH 4 SEAT GRATE SUPPORT



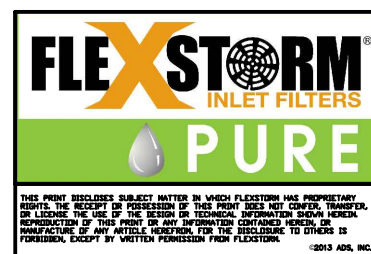
Pure Frame with FX Bag		Field Inlet Dimensions		Flexstorm Framing Dims				Flexstorm Ratings (Flow at 50% Max)			Pure Frame with FX+ Bag	
ADS P/N	Flexstorm Item Code	Grate Size (A x C)	Clear Opening (B x D)	B1	D1	A1	C1	Bag Capacity (ft³)	PC/PC+ Flow Rate (CFS)	Bypass (CFS)	ADS P/N	Flexstorm Item Code
62XLHDFX	P-HD4-400-283-360-243-FX	40 x 28.25	36 x 24.25	35.5	21.5	39.0	24.0	4.9	2.4	6.1	62XLHDFXP	P-HD4-400-283-360-243-FXP
62XLHDFX	P-HD4-319-319-303-303-FX	31.87 x 31.87	30.25 x 30.25	28.0	27.5	31.5	31.6	4.9	2.4	6.0	62XLHDFXP	P-HD4-319-319-303-303-FXP
62XLHDFX	P-HD4-379-259-364-244-FX	37.87 x 25.87	36.375 x 24.375	34.0	21.5	37.5	25.6	4.7	2.4	6.0	62XLHDFXP	P-HD4-379-259-364-244-FXP
62XLHDFX	P-HD4-393-273-371-258-FX	39.3 x 27.25	37.125 x 25.75	35.5	23.0	39.0	27.0	5.2	2.5	6.3	62XLHDFXP	P-HD4-393-273-371-258-FXP
62XLHDFX	P-HD4-393-273-378-258-FX	39.25 x 27.25	37.81 x 25.75	35.5	23.0	39.0	27.0	5.2	2.5	6.3	62XLHDFXP	P-HD4-393-273-378-258-FXP
62XLHDFX	P-HD4-480-220-460-190-FX	48x22	46x19	44.5	16.0	48.0	21.8	4.5	2.6	6.5	62XLHDFXP	P-HD4-480-220-460-190-FXP
62XLHDFX	P-HD4-378-318-360-300-FX	37.75 x 31.75	36 x 30	34.0	27.0	37.5	31.5	5.8	2.6	6.6	62XLHDFXP	P-HD4-378-318-360-300-FXP
62XLHDFX	P-HD4-460-263-430-230-FX	23(x2) x 26.25	43 x 23	42.5	20.0	46.0	22.8	5.4	2.6	6.7	62XLHDFXP	P-HD4-460-263-430-230-FXP
62XLHDFX	P-HD4-480-240-460-220-FX	48 x 24	46 x 22	44.5	19.0	48.0	23.8	5.4	2.7	6.8	62XLHDFXP	P-HD4-480-240-460-220-FXP
62XLHDFX	P-HD4-460-263-441-241-FX	46 x 26.25	44.125 x 24.125	42.5	21.0	46.0	26.0	5.7	2.7	6.8	62XLHDFXP	P-HD4-460-263-441-241-FXP
62XLHDFX	P-HD4-378-378-360-360-FX	37.75 x 37.75	36 x 36	34.0	33.0	37.5	37.5	7.1	2.8	7.2	62XLHDFXP	P-HD4-378-378-360-360-FXP
62XLHDFX	P-HD4-500-263-480-240-FX	50 x 26.25	48 x 24	46.5	21.0	50.0	26.0	6.2	2.9	7.3	62XLHDFXP	P-HD4-500-263-480-240-FXP
62XLHDFX	P-HD4-496-258-483-243-FX	49.62 x 25.75	48.25 x 24.25	46.0	21.5	49.5	25.5	6.3	2.9	7.3	62XLHDFXP	P-HD4-496-258-483-243-FXP
62XLHDFX	P-HD4-378-378-365-365-FX	37.75 x 37.75	36.5 x 36.5	34.0	33.5	37.5	37.5	7.3	2.9	7.3	62XLHDFXP	P-HD4-378-378-365-365-FXP
62XLHDFX	P-HD4-383-383-365-365-FX	38.25x 38.25	36.5x 36.5	34.5	33.5	38.0	38.0	7.4	2.9	7.3	62XLHDFXP	P-HD4-383-383-365-365-FXP
62XLHDFX	P-HD4-515-279-486-249-FX	51.5 x 27.87	48.62 x 24.87	48.0	22.0	51.5	27.6	6.7	3.0	7.5	62XLHDFXP	P-HD4-515-279-486-249-FXP
62XLHDFX	P-HD4-495-318-480-300-FX	49.5 x 31.75	48 x 30	46.0	27.0	49.5	31.5	7.9	3.1	7.9	62XLHDFXP	P-HD4-495-318-480-300-FXP
62XLHDFX	P-HD4-493-378-480-360-FX	49.25 x 37.75	48 x 36	45.5	33.0	49.0	37.5	9.6	3.3	8.5	62XLHDFXP	P-HD4-493-378-480-360-FXP
62XLHDFX	P-HD4-499-499-421-421-FX	43.87 x 43.87	42.125 x 42.125	41.5	39.0	45.0	41.9	10.3	3.4	8.7	62XLHDFXP	P-HD4-499-499-421-421-FXP
62XLHDFX	P-HD4-506-506-480-480-FX	50.62 x 50.62	48 x 48	47.0	45.0	50.5	50.4	13.5	3.9	9.9	62XLHDFXP	P-HD4-506-506-480-480-FXP



*MOST XL SIZED FRAME AND GRATES COMBINATIONS REQUIRE 2 SIDE BY SIDE FLEXSTORM INLET FILTERS. DESIGN AND PRICING REFLECT THIS. PLEASE CONTACT FOR FURTHER DETAILS.

NOTES:

- RATINGS SHOWN ARE FOR STANDARD 22" BAG DEPTH; "SHORT" 12" DEPTH BAGS ARE AVAILABLE WITH -S SUFFIX; RATINGS REDUCED BY ~50%.
- THE FOLLOWING REQUIRES ADDITIONAL REVIEW
 - GRATES WITH EXTENDED BOTTOMS
 - ANY OBSTRUCTED INLET OPENINGS

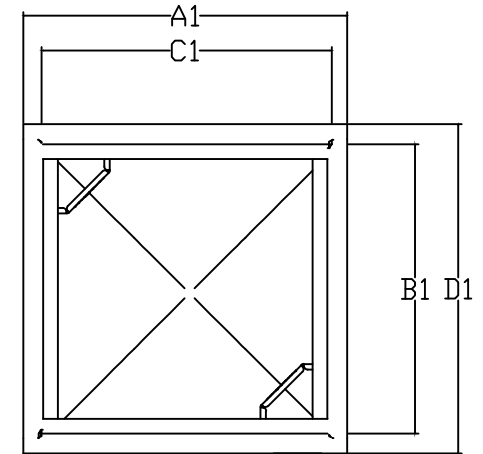
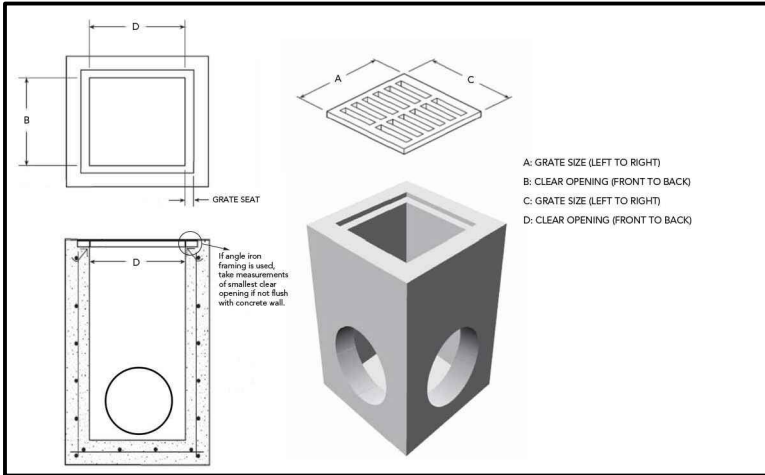


ALL PRODUCTS MANUFACTURED BY INLET & PIPE PROTECTION, INC A DIVISION OF ADS, INC.
 WWW.INLETFILTERS.COM
 (866) 287-8655 PH
 (630) 355-3477 FX
 INFO@INLETFILTERS.COM

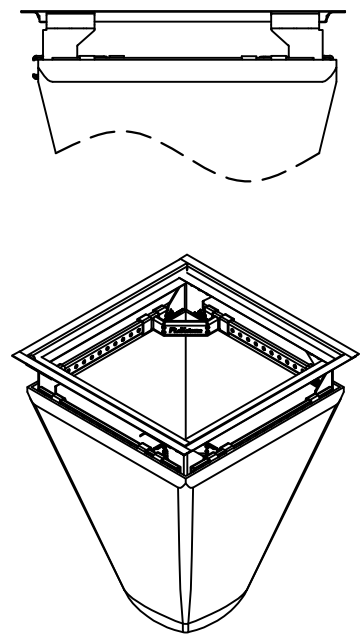
THIS PRINT DISCLOSES SUBJECT MATTER IN WHICH FLEXSTORM HAS PROPRIETARY RIGHTS. THE RECEIPT OR POSSESSION OF THIS PRINT DOES NOT CONVEY, TRANSFER, OR LICENSE THE USE OF THE DESIGN OR TECHNICAL INFORMATION SHOWN HEREIN. REPRODUCTION OF THIS PRINT OR ANY INFORMATION CONTAINED HEREIN OR MANUFACTURE OF ANY ARTICLE HEREFROM, FOR THE DISCLOSURE TO OTHERS IS FORBIDDEN, EXCEPT BY WRITTEN PERMISSION FROM FLEXSTORM. ©2013 ADS, INC.	SIZE	FRAME TYPE	DWG NO	REV
C	HD4		HD4-62XLHD-FX	A
SCALE	SHEET 1 OF 1			

FLEXSTORM P/Ns 62XLHDPC & 62XLHDPCP

HD4 INLET TYPE: SQUARE/RECT PRECAST OPENING WITH 4 SEAT GRATE SUPPORT



Pure Frame with PC Bag		Field Inlet Dimensions		Flexstorm Framing Dims				Flexstorm Ratings (Flow at 50% Max)			Pure Frame with PC+ Bag	
ADS P/N	Flexstorm Item Code	Grate Size (A x C)	Clear Opening (B x D)	B1	D1	A1	C1	Bag Capacity (ft ³)	PC/PC+ Flow Rate (CFS)	Bypass (CFS)	ADS P/N	Flexstorm Item Code
62XLHDPC	P-HD4-400-283-360-243-PC	40 x 28.25	36 x 24.25	35.5	21.5	39.0	24.0	4.9	1.8	6.1	62XLHDPCP	P-HD4-400-283-360-243-PCP
62XLHDPC	P-HD4-319-319-303-303-PC	31.87 x 31.87	30.25 x 30.25	28.0	27.5	31.5	31.6	4.9	1.8	6.0	62XLHDPCP	P-HD4-319-319-303-303-PCP
62XLHDPC	P-HD4-379-259-364-244-PC	37.87 x 25.87	36.375 x 24.375	34.0	21.5	37.5	25.6	4.7	1.8	6.0	62XLHDPCP	P-HD4-379-259-364-244-PCP
62XLHDPC	P-HD4-393-273-371-258-PC	39.3 x 27.25	37.125 x 25.75	35.5	23.0	39.0	27.0	5.2	1.9	6.3	62XLHDPCP	P-HD4-393-273-371-258-PCP
62XLHDPC	P-HD4-393-273-378-258-PC	39.25 x 27.25	37.81 x 25.75	35.5	23.0	39.0	27.0	5.2	1.9	6.3	62XLHDPCP	P-HD4-393-273-378-258-PCP
62XLHDPC	P-HD4-480-220-460-190-PC	48x22	46x19	44.5	16.0	48.0	21.8	4.5	1.9	6.5	62XLHDPCP	P-HD4-480-220-460-190-PCP
62XLHDPC	P-HD4-378-318-360-300-PC	37.75 x 31.75	*36 x 30	34.0	27.0	37.5	31.5	5.8	2.0	6.6	62XLHDPCP	P-HD4-378-318-360-300-PCP
62XLHDPC	P-HD4-460-263-430-230-PC	23(x2) x 26.25	43 x 23	42.5	20.0	46.0	22.8	5.4	2.0	6.7	62XLHDPCP	P-HD4-460-263-430-230-PCP
62XLHDPC	P-HD4-480-240-460-220-PC	48 x 24	46 x 22	44.5	19.0	48.0	23.8	5.4	2.0	6.8	62XLHDPCP	P-HD4-480-240-460-220-PCP
62XLHDPC	P-HD4-460-263-441-241-PC	46 x 26.25	44.125 x 24.125	42.5	21.0	46.0	26.0	5.7	2.0	6.8	62XLHDPCP	P-HD4-460-263-441-241-PCP
62XLHDPC	P-HD4-378-378-360-360-PC	37.75 x 37.75	*36 x 36	34.0	33.0	37.5	37.5	7.1	2.1	7.2	62XLHDPCP	P-HD4-378-378-360-360-PCP
62XLHDPC	P-HD4-500-263-480-240-PC	50 x 26.25	*48 x 24	46.5	21.0	50.0	26.0	6.2	2.1	7.3	62XLHDPCP	P-HD4-500-263-480-240-PCP
62XLHDPC	P-HD4-496-258-483-243-PC	49.62 x 25.75	*48.25 x 24.25	46.0	21.5	49.5	25.5	6.3	2.2	7.3	62XLHDPCP	P-HD4-496-258-483-243-PCP
62XLHDPC	P-HD4-378-378-365-365-PC	37.75 x 37.75	*36.5 x 36.5	34.0	33.5	37.5	37.5	7.3	2.2	7.3	62XLHDPCP	P-HD4-378-378-365-365-PCP
62XLHDPC	P-HD4-383-383-365-365-PC	38.25 x 38.25	*36.5 x 36.5	34.5	33.5	38.0	38.0	7.4	2.2	7.3	62XLHDPCP	P-HD4-383-383-365-365-PCP
62XLHDPC	P-HD4-515-279-486-249-PC	51.5 x 27.87	*48.62 x 24.87	48.0	22.0	51.5	27.6	6.7	2.2	7.5	62XLHDPCP	P-HD4-515-279-486-249-PCP
62XLHDPC	P-HD4-495-318-480-300-PC	49.5 x 31.75	*48 x 30	46.0	27.0	49.5	31.5	7.9	2.3	7.9	62XLHDPCP	P-HD4-495-318-480-300-PCP
62XLHDPC	P-HD4-493-378-480-360-PC	49.25 x 37.75	*48 x 36	45.5	33.0	49.0	37.5	9.6	2.5	8.5	62XLHDPCP	P-HD4-493-378-480-360-PCP
62XLHDPC	P-HD4-499-499-421-421-PC	43.87 x 43.87	*42.125 x 42.125	41.5	39.0	45.0	41.9	10.3	2.5	8.7	62XLHDPCP	P-HD4-499-499-421-421-PCP
62XLHDPC	P-HD4-506-506-480-480-PC	50.62 x 50.62	*48 x 48	47.0	45.0	50.5	50.4	13.5	2.9	9.9	62XLHDPCP	P-HD4-506-506-480-480-PCP



*MOST XL SIZED FRAME AND GRATES COMBINATIONS REQUIRE 2 SIDE BY SIDE FLEXSTORM INLET FILTERS. DESIGN AND PRICING REFLECT THIS. PLEASE CONTACT FOR FURTHER DETAILS.

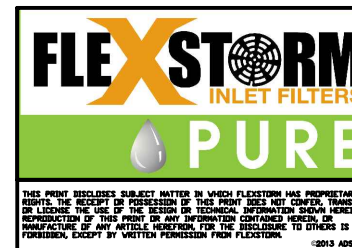
NOTES:

1. RATINGS SHOWN ARE FOR STANDARD 22" BAG DEPTH; "SHORT" 12" DEPTH BAGS ARE AVAILABLE WITH -S SUFFIX; RATINGS REDUCED BY ~50%.

2. THE FOLLOWING REQUIRES ADDITIONAL REVIEW

-GRATES WITH EXTENDED BOTTOMS

-ANY OBSTRUCTED INLET OPENINGS



ALL PRODUCTS MANUFACTURED BY INLET & PIPE PROTECTION, INC A DIVISION OF ADS, INC.
 WWW.INLETFILTERS.COM
 (866) 287-8655 PH
 (630) 355-3477 FX
 INFO@INLETFILTERS.COM

THIS PRINT DISCLOSES SUBJECT MATTER IN WHICH FLEXSTORM HAS PROPRIETARY RIGHTS. THE RECEIPT OF POSSESSION OF THIS PRINT DOES NOT CONFER, TRANSFER, OR LICENSE THE USE OF THE DESIGN OR TECHNICAL INFORMATION SHOWN HEREIN. REPRODUCTION OF THIS PRINT OR ANY INFORMATION CONTAINED HEREIN OR MANUFACTURE OF ANY ARTICLE HEREFROM, FOR THE DISCLOSURE TO OTHERS IS FORBIDDEN, EXCEPT BY WRITTEN PERMISSION FROM FLEXSTORM. ©2013 ADS, INC.		SIZE	FRAME TYPE	DWG NO	REV
C	HD4	HD4-62XLHD-PC	A		
SCALE	SHEET 1 OF 1				