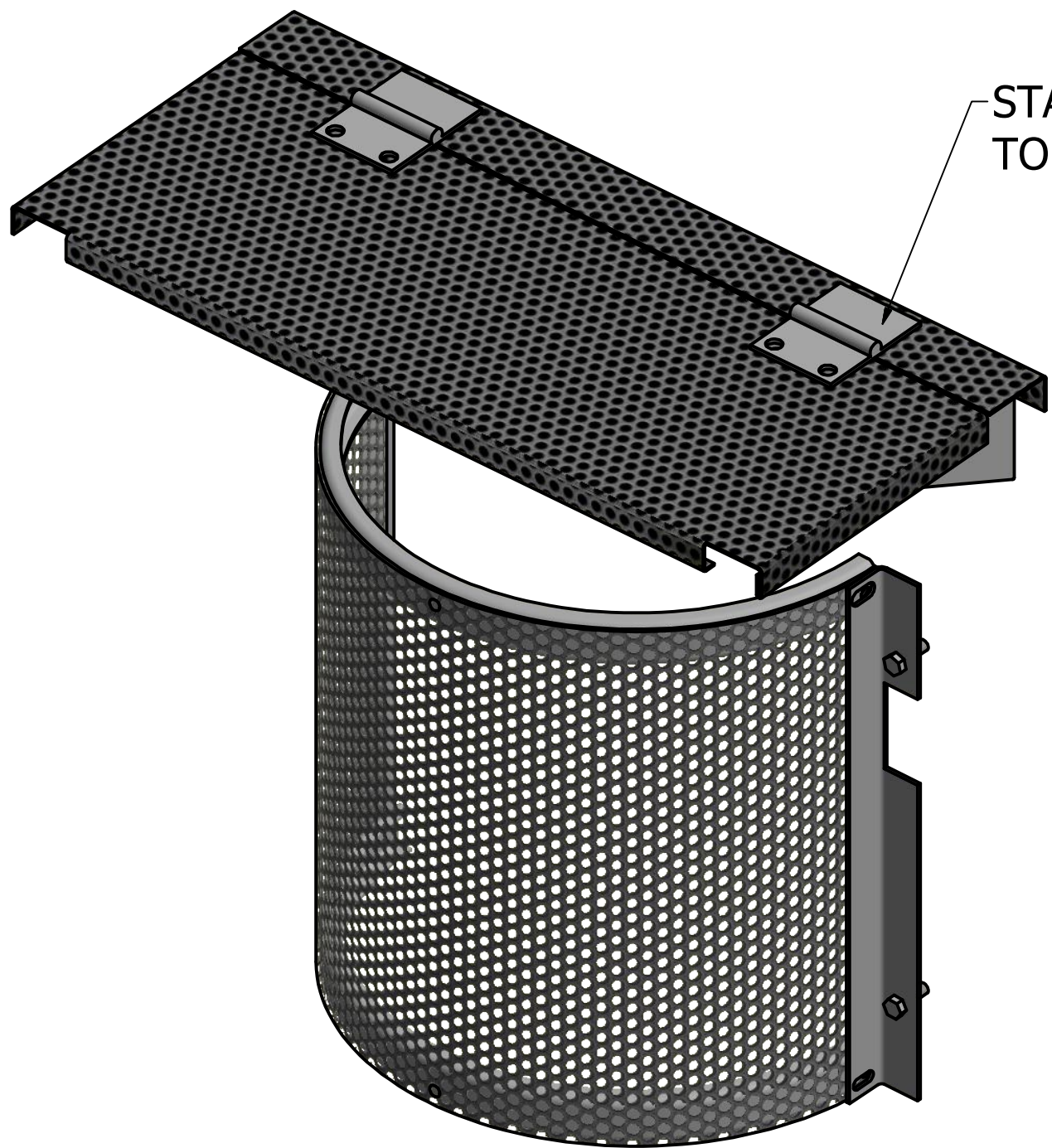
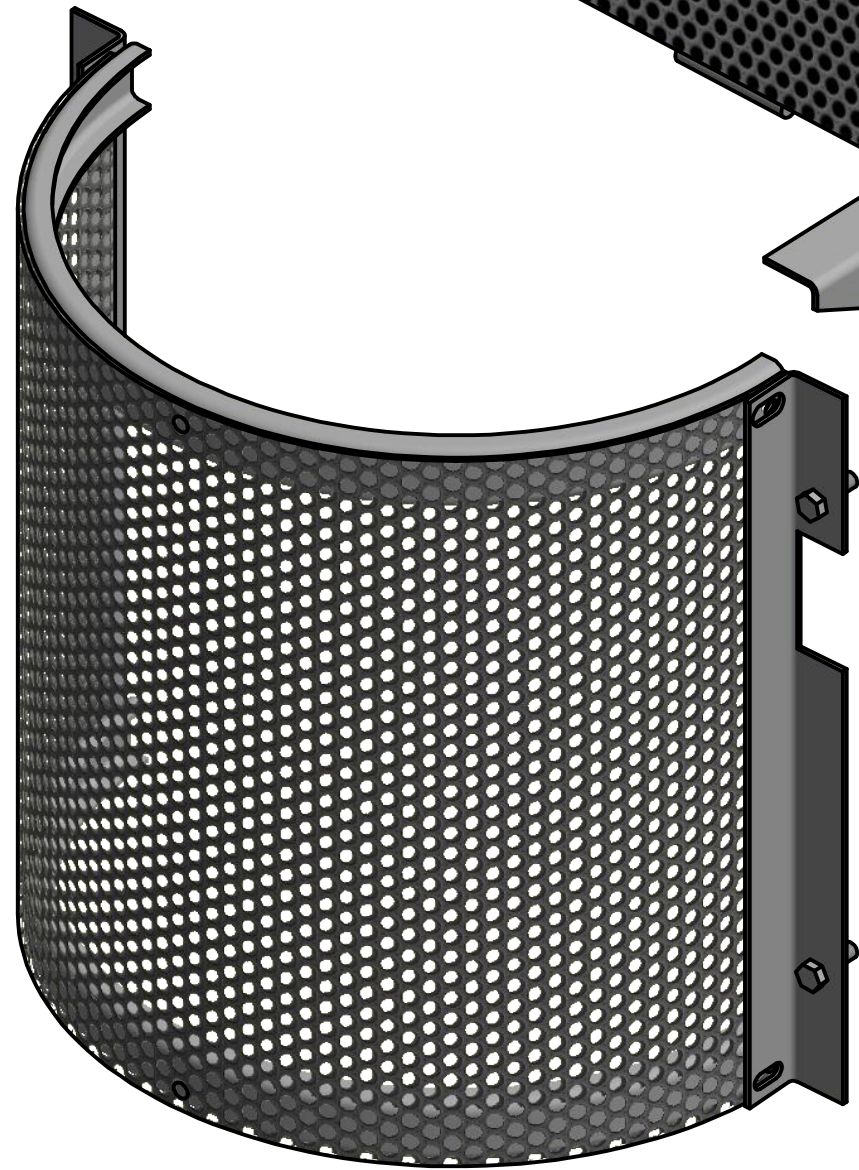


HINGED LID SHOWN IN OPEN POSITION
(REMAINS IN OPEN POSITION ON ITS OWN)

LID BRACKETS SECURED TO
WALL WITH SS WEDGE ANCHORS



STAINLESS STEEL HINGE WELDED
TO LID AT EACH SUPPORT BRACKET



Further to my last email, this new design is workable for mosquito abatement activities and is approved for use on our end (from a mosquito abatement standpoint).
Thanks to all involved for the work and modification to the device.

Joseph Huston
Field Operations Supervisor



joseph@mosquitoes.org
O: 510-783-7744 | F: 510-783-3903
23187 Connecticut St., Hayward, CA 94545



ALAMEDA COUNTY MOSQUITO ABATEMENT DISTRICT HINGED LID DESIGN

<small>THIS PRINT DISCLOSES SUBJECT MATTER IN WHICH FLEXSTORM HAS PROPRIETARY RIGHTS. THE RECEIPT OR POSSESSION OF THIS PRINT DOES NOT CONFER, TRANSFER, OR LICENSE THE USE OF THE DESIGN OR TECHNICAL INFORMATION SHOWN HEREIN. REPRODUCTION OF THIS PRINT OR ANY INFORMATION CONTAINED HEREIN, OR MANUFACTURE OF ANY ARTICLE HEREFROM, FOR THE DISCLOSURE TO OTHERS IS FORBIDDEN, EXCEPT BY WRITTEN PERMISSION FROM FLEXSTORM. ©2013 ADS, INC.</small>		ALL PRODUCTS MANUFACTURED BY INLET & PIPE PROTECTION, INC A DIVISION OF ADS, INC. WWW.INLETFILTERS.COM (866) 287-8655 PH (630) 355-3477 FX INFO@INLETFILTERS.COM	
SIZE	FRAME TYPE	DWG NO	REV
C	CPS	FLEXSTORM-CPS	A
SCALE		SHEET 1 OF 1	