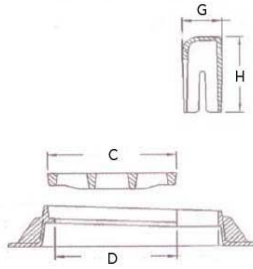
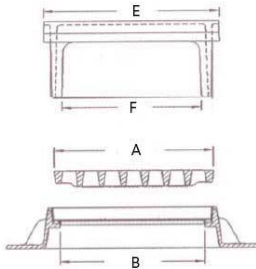
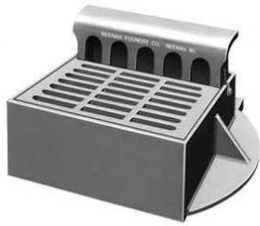




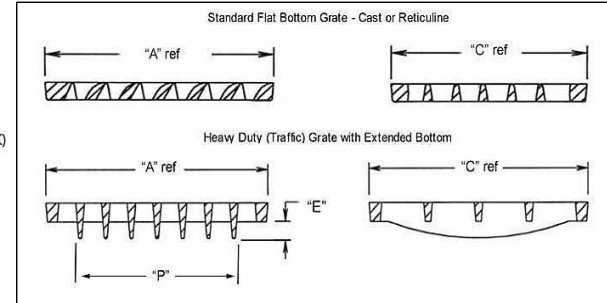
ADS FLEXSTORM DIMENSIONAL / ORDER FORM

INLET TYPE: Raised Cast Iron Frame and Grate with Curb Hood

FORM SQCB



- A: GRATE WIDTH (LEFT TO RIGHT)
- B: FRAME CLEAR OPENING WIDTH (LEFT TO RIGHT)
- C: GRATE DEPTH (FRONT TO BACK)
- D: FRAME CLEAR OPENING DEPTH (FRONT TO BACK)
- E: CURB BACK OVERALL WIDTH
- F: CURB BACK OPENING SIZE
- G: CURB BACK WIDTH
- H: CURB BACK MAXIMUM HEIGHT



Please indicate whether or not your casting allows for the Flexstorm frame to extend beneath the curb hood freely or if there is a back grate support ledge that prevents clear entry/extension under the hood.

Casting Interference Prevents Extension	
Open Entry Beneath Hood Allows Extension	

Determine Frame Size based on Clear Opening:
Perimeter = 2 x (B + D)

Complete CATCH-IT P/N (galvanized frame and FX bag with rear curb flap)	PURE Frame P/N (stainless) without extended framing or rear deflector	PURE Frame P/N (stainless) with extended framing or rear deflector	Frame Sizes
62SCBFX	62SHD	62SHDCB	Small: 64" max perimeter of clear opening B x D dimensions 12" x 12" through 16" x 16"
62MCBFX	62MHD	62MHDCB	Medium: 96" max perimeter of clear opening B x D dimensions 18" x 18" through 24" x 24"
62LCBFX	62LHD	62LHDCB	Large: 120" max perimeter of clear opening B x D dimensions 26" x 26" through 30" x 30"
62XLCBFX	62XLHD	62XLHDCB	XL: 168" max perimeter of clear opening B x D dimensions 32" x 32" through 48" x 48"

REF	Measured Dimensions (+/- .1")
*A	
*B	
*C	
*D	
*E	
F	
G	
H	

*** Required Dimensions. If casting or precast make and model numbers are unknown then all required dimensions must be provided and accurate to +/- .1"**

Grate Information	
Identify Your Grate Style (check one)	
Flat Bottom:	
Extended Bottom "Heavy Duty":	
<i>If "E" dimension extends by more than 2" please provide the "E" and "P" dimensions below.</i>	
"E" dimension:	
"P" dimension:	
Grate Part Number (if known):	

CATCH-ITs come standard with FX bags. PURE P/N = FRAME P/N & BAG P/N

1. ENTER YOUR PURE FRAME PART NUMBER FROM TABLE ABOVE

**** For STAINLESS STEEL FRAMING be sure to select the PURE Frame part number**

2. ENTER YOUR DESIRED BAG PART NUMBER FROM TABLE BELOW

FLEXSTORM FILTER BAGS	(22" depth) STD Bag P/N	(12" depth) Short Bag P/N	Clean Water Flow Rate (GPM/SqFt)	Min A.O.S. (US Sieve)
FX: Standard Woven Bag	FX	FX-S	200	40
FX+: Woven w/ MyCelx	FXP	FXP-S	200	40
FXO: Woven w/ Oil Boom	FXO	FXO-S	200	40
PC: Post Construction Bag	PC	PC-S	137	140
PC+: PC Bag w/ MyCelx	PCP	PCP-S	137	140
LL: Litter and Leaf Bag	LL	LL-S	High	3.5
IL: IDOT Non-Woven Bag	IL	IL-S	145	70

3. PURE P/N = COMBINE FRAME P/N & BAG P/N:

REQUIRED ORDER INFORMATION	
ADS FLEXSTORM P/N:	
Qty Required:	
Ref Casting make/model or Precast make/model (if known):	
Ref DOT Standard Type / Callout (if known):	
Customer Name:	
Contact Name:	
Contact Number:	
Ref PO#:	
Ref Job Name and/or Inlet Location:	

Important: If casting or precast make and model numbers are unknown then all physical dimensions are required. For help on how to measure your inlet please visit www.inletfilters.com.

**** Note: when using FLEXSTORM Inlet Filters for Post Construction requirements, ADS strongly recommends Stainless Steel Framing for 25 year life rating.**

Filter Application (check one or both):	
During Construction:	
Post Construction:	