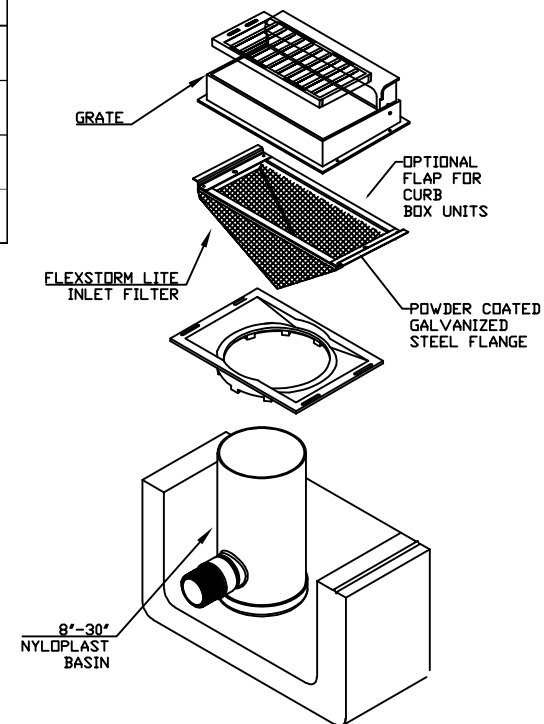


FLEXSTORM PURE FOR STANDARD NYLOPLAST SQUARE AND RECTANGULAR FRAME AND GRATES

Product Selection for FLEXSTORM PURE Inlet Protection on Nyloplast Square/Rectangular Frame and Grates								
Nyloplast Casting	Bag Cap. (ft ³)	Flow Ratings (CFS)			ADS P/N			
		FX/FX+	PC/PC+	Bypass	FX	FXP	PC	PCP
2' x 3' Nyloplast Frame and Grate	3.5	2.4	1.7	2.4	62LHDFX	62LHDFXP	62LHDPC	62LHDPCP
2' x 3' Nyloplast Curb Box Unit	3.3	2.4	1.7	2.4	62LHDFX	62LHDFXP	62LHDPC	62LHDPCP
2' x 2' Nyloplast Frame and Grate	2.2	1.8	1.3	1.8	62MHDFX	62MHDFXP	62MHDP	62MHDP
2' x 2' Nyloplast Curb Box Unit	2.2	1.8	1.3	1.8	62MHDFX	62MHDFXP	62MHDP	62MHDP

NYLOPLAST SQUARE/RECTANGULAR FRAME AND GRATE



Flexstorm Installed in 2'x3' Curb Box



ALL PRODUCTS MANUFACTURED BY INLET & PIPE PROTECTION, INC A DIVISION OF ADS, INC. WWW.INLETFILTERS.COM (866) 287-8655 PH (630) 355-3477 FX INFO@INLETFILTERS.COM

THIS PRINT DISCLOSES SUBJECT MATTER IN WHICH FLEXSTORM HAS PROPRIETARY RIGHTS. THE RECEIPT OR POSSESSION OF THIS PRINT DOES NOT CONFER, TRANSFER, OR LICENSE THE USE OF THE DESIGN OR TECHNICAL INFORMATION SHOWN HEREIN. REPRODUCTION OF THIS PRINT OR ANY INFORMATION CONTAINED HEREIN OR MANUFACTURE OF ANY ARTICLE, HEREFROM, FOR THE DISCLOSURE TO OTHERS IS FORBIDDEN, EXCEPT BY WRITTEN PERMISSION FROM FLEXSTORM. ©2013 ADS, INC.

SCALE	FRAME TYPE	DWG NO	REV
C	NY	NYLOPLAST_LITE_SUBMIT	A