

FLEXSTORM P/Ns FOR NYLOPLAST ROUND FRAME AND GRATE

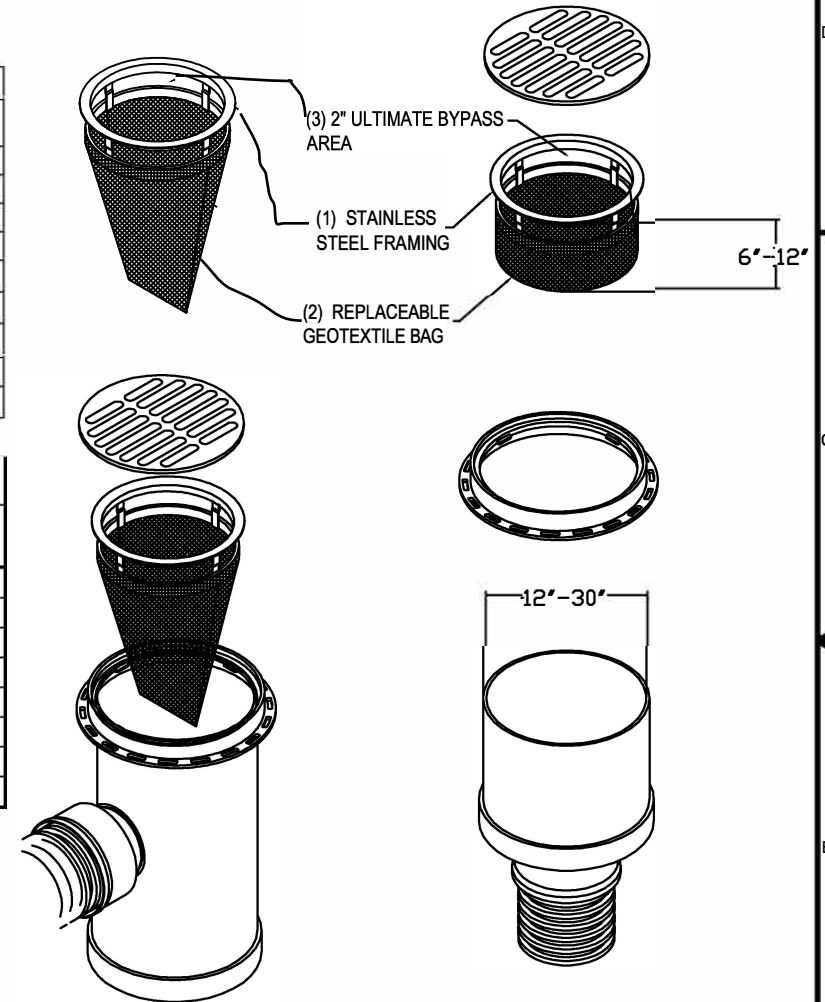
INLET TYPE NYLO: ROUND IN NYLOPLAST BASIN

Casting Size	FX Bag		Flexstorm Ratings (Flow at 50% of max)			FX+ Bag
	ADS P/N	Bag Depth	Bag Capacity (ft ³)	FX/FX+ Flow Rate (CFS)	Total Bypass (CFS)	ADS P/N
8" Drop in	6208NYFX	22"	0.2	0.9	N/A	6208NYFXP
8" Inline	6210NYFX	22"	0.2	0.9	N/A	6210NYFXP
10" Drop in	6208NYFX	22"	0.3	1.2	N/A	6208NYFXP
8" Inline	6210NYFX	22"	0.3	1.2	N/A	6210NYFXP
12" Round	6212NYFX	22"	0.3	1.4	4.6	6212NYFXP
15" Round	6215NYFX	22"	0.6	1.7	5.9	6215NYFXP
18" Round	6218NYFX	22"	0.9	2.1	7.3	6218NYFXP
24" Round	6224NYFX	22"	1.6	2.8	10.1	6224NYFXP
30" Round	6230NYFX	22"	2.8	3.6	13.1	6230NYFXP

Casting Size	PC Bag		Flexstorm Ratings (Flow at 50% of Max)			PC+ Bag
	ADS P/N	Bag Depth	Bag Capacity (ft ³)	PC/PC+ Flow Rate (CFS)	Total Bypass (CFS)	ADS P/N
8" Inline	6208NYPC	22"	0.2	0.4	N/A	6208NYPCP
8" Drop In	6208NYPC	22"	0.2	0.4	N/A	6208NYPCP
10" Drop In	6210NYPC	22"	0.3	0.6	N/A	6210NYPCP
12" Round	6212NYPC	22"	0.3	0.9	4.6	6212NYPCP
15" Round	6215NYPC	22"	0.6	1.2	5.9	6215NYPCP
18" Round	6218NYPC	22"	0.9	1.4	7.3	6218NYPCP
24" Round	6224NYPC	22"	1.6	1.9	10.1	6224NYPCP
30" Round	6230NYPC	22"	2.8	2.5	13.1	6230NYPCP

STANDARD BAG DEPTH

SHORT BAG DEPTH



8" and 10" Designs

12" and Plus Designs



ALL PRODUCTS MANUFACTURED BY INLET & PIPE PROTECTION, INC A DIVISION OF ADS, INC. WWW.INLETFILTERS.COM (866) 287-8655 PH (630) 355-3477 FX INFO@INLETFILTERS.COM

THIS PRINT INCLUDES SUBJECT MATTER IN WHICH FLEXSTORM HAS PROPRIETARY RIGHTS. THE RECEIPT OR POSSESSION OF THIS PRINT DOES NOT CONSTITUTE, IN WHOLE OR IN PART, A LICENSE OF ANY KIND OF TECHNICAL INFORMATION AND/OR MATERIALS. THE USER OF THIS PRINT IS NOT TO REPRODUCE, COPY, OR TRANSMIT IN ANY MANNER, OR TO DISCLOSE TO ANY OTHER PERSON, THE CONTENTS OF THIS PRINT OR ANY INFORMATION CONTAINED HEREIN, WITHOUT THE WRITTEN PERMISSION OF FLEXSTORM. ©2015 ADS, INC.

SIZE	FRAME TYPE	DWG NO	REV
C	NY	NYLOPLAST	A
SCALE	SHEET 1 OF 1		