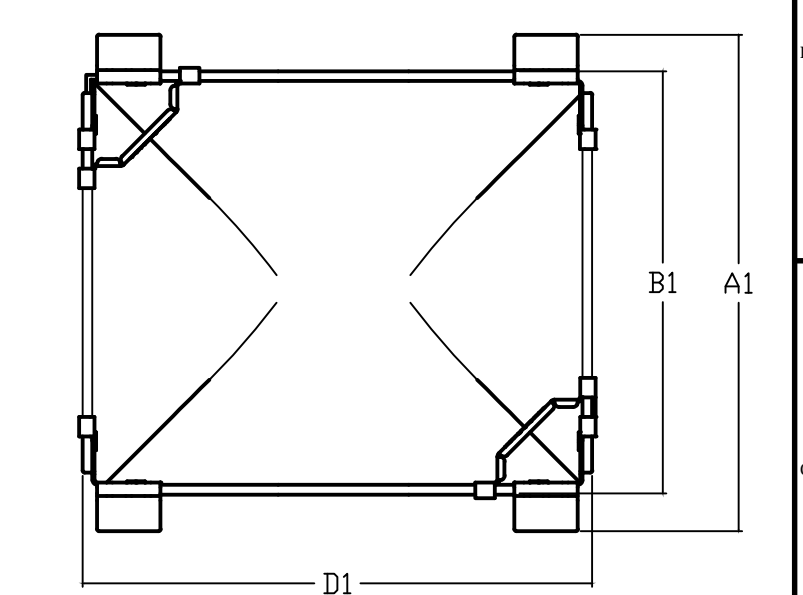
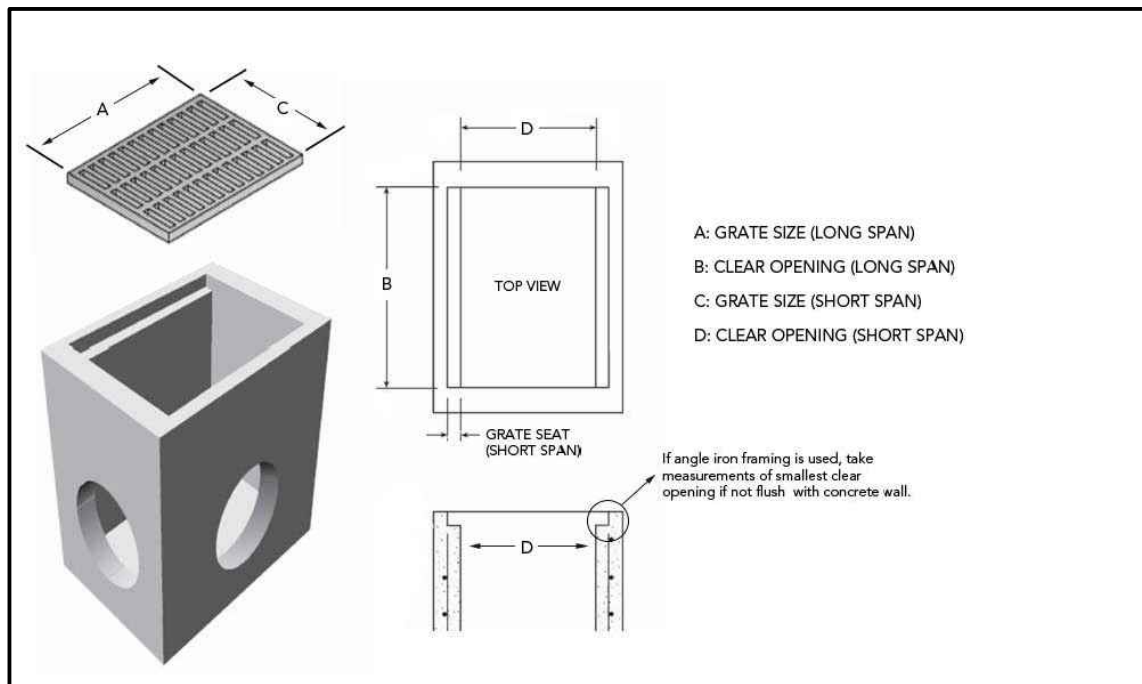
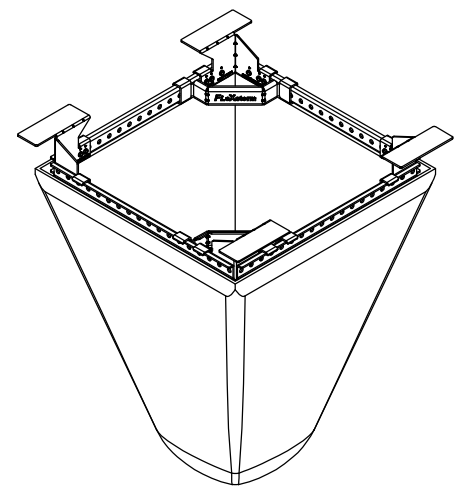


FLEXSTORM P/Ns 62'_SQFX

HD2S INLET TYPE: RECTANGULAR PRECAST OPENING WITH 2 SEAT GRATE SUPPORTS ON LONG LEDGES (SHORT SPAN)



Catch-IT Frame with FX Bag		Field Inlet Dimensions		Flexstorm Framing Dim				Flexstorm Ratings (Flow at 50% max)		
ADS P/N	Flexstorm Item code	Grate Size (A x C)	Clear Opening (B x D)	B1	D1	A1	C1	Bag Capacity (ft ³)	FX/FX+ Flow Rate (CFS)	Total Bypass (CFS)
62LSQFX	C-HD2S-300-260-300-240-FX	30x26	30x24	29.0	22.5	29.0	26.0	4.2	2.2	8.3
62XLSQFX	C-HD2S-480-260-480-240-FX	48x26	48x24	47.0	22.5	47.0	26.0	6.7	2.9	11.2
62XLSQFX	C-HD2S-460-263-469-240-FX	46 x 26.25	46 7/8 x 24	46.0	22.5	46.0	26.0	6.6	2.9	11.1
62XLSQFX	C-HD2S-460-263-469-240-FX	46 x 26.25	46 7/8 x 24	46.0	22.5	46.0	26.0	6.6	2.9	11.1
62XLSQFX	C-HD2S-460-266-469-240-FX	46 x 26.25	46.87 x 24	46.0	23.0	46.0	26.5	6.7	2.9	11.2
62XLSQFX	C-HD2S-400-240-400-210-FX	40x24	40x21	39.0	20.5	39.0	24.0	5.1	2.5	9.6
62LSQFX	C-HD2S-360-278-360-240-FX	36 x 27.75	36 x 24	35.0	23.5	35.0	27.5	5.2	2.5	9.5
62XLSQFX	C-HD2S-480-400-480-360-FX	48x40	48x36	47.0	35.5	47.0	40.0	10.6	3.5	13.3



NOTES:

- RATINGS SHOWN ARE FOR STANDARD 22" BAG DEPTH; "SHORT" 12" DEPTH BAGS ARE AVAILABLE WITH -S SUFFIX; RATINGS REDUCED BY ~50%.
- THE FOLLOWING REQUIRES ADDITIONAL REVIEW
 - GRATES WITH EXTENDED BOTTOMS
 - ANY OBSTRUCTED INLET OPENINGS

FLEXSTORM
INLET FILTERS

CATCH-IT

THIS PRINT DISCLOSES SUBJECT MATTER IN WHICH FLEXSTORM HAS PROPRIETARY RIGHTS. THE RECEIPT OR POSSESSION OF THIS PRINT DOES NOT CONVEY, TRANSFER, OR LICENSE THE USE OF THE DESIGN OR TECHNICAL INFORMATION SHOWN HEREIN. REPRODUCTION OF THIS PRINT OR ANY INFORMATION CONTAINED HEREIN, OR MANUFACTURE OF ANY ARTICLE HEREFROM, FOR THE DISCLOSURE TO OTHERS IS FORBIDDEN, EXCEPT BY WRITTEN PERMISSION FROM FLEXSTORM. ©2013 ADS, INC.

ALL PRODUCTS MANUFACTURED BY INLET & PIPE PROTECTION, INC A DIVISION OF ADS, INC.
WWW.INLETFILTERS.COM
(866) 287-8655 PH
(630) 355-3477 FX
INFO@INLETFILTERS.COM

SIZE	FRAME TYPE	DWG NO	REV
C	HDSQ2	HD2S-62_HD-FX	A
SCALE	SHEET 1 OF 1		