



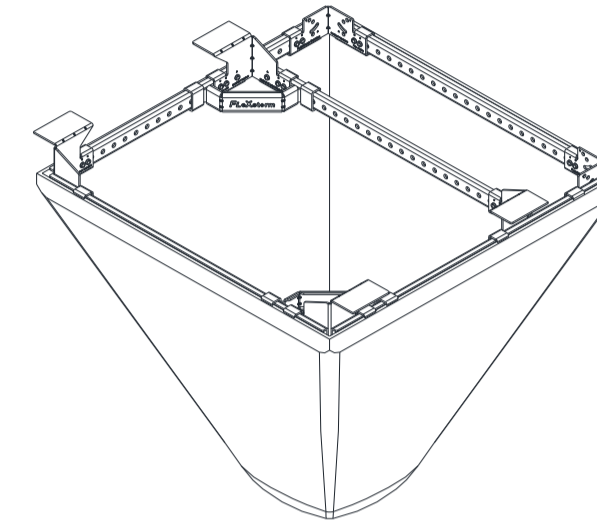
The Most Advanced Name in Water Management Solutions

Wisconsin - ADS FLEXSTORM X-ref

Wisconsin

Product selection for FLEXSTORM CATCH-IT Filters (Temporary Inlet Protection)

Neenah Casting	Inlet Type	Grate Size	Opening Size	Bag Cap (ft ³)	Flow Ratings (CFS)		ADS P/N
					FX	Bypass	
1040/1642/1733	Round	26	24	1.9	1.5	5.4	62MRDFX
3067 w/FLAP	Curb Box	35.25 x 17.75	33.0 x 15.0	3.8	1.9	5.6	62LCBEXTFX
3067 EXTENDED BACK	Curb Box	35.25 x 17.75	33.0 x 15.0	4.4	2.3	5.8	62LCBEXTFX
3246A	Curb Box	35.75 x 23.875	33.5 x 21.0	4.2	2.2	3.3	62LCBFX
3030	Square/Rect (SQ)	23 x 16	20.5 x 13.5	1.6	1.4	2.2	62MCBFX
3067-C	Square/Rect (SQ)	35.25 x 17.75	33 x 15	3.2	2.0	5.2	62LSQFX



Square/Rectangular (SQ)

Curb Box (CB)

Square/Rect on Concrete Box (HD)

Round (RD)

62LCBEXTFX with Extended Back (fits under curb hood).

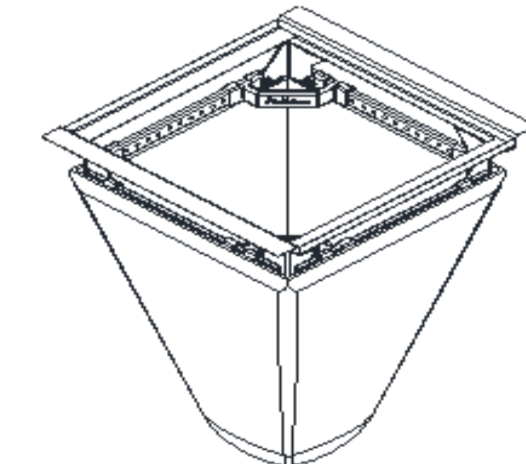


Product selection for FLEXSTORM PURE Filters (Permanent Inlet Protection)

Neenah Casting	Inlet Type	Grate Size	Opening Size	Bag Cap (ft ³)	Flow Ratings (CFS)			ADS P/N				
					FX/FX+	PC/PC+	Bypass	FX	FX+	PC	PC+	FXO
1040/1642/1733	Round	26	24	1.9		1.1	5.7	62MHDRFX	62MHDRFXP	62MHDRPC	62MHDRPCP	62MHDRFXO
3067 (EXT)	Curb Box (CB)	35.25 x 17.75	33.0 x 15.0	4.4	2.3	1.9	5.8	62LHDCBEXTFX	62LHDCBEXTFXP	62LHDCBEXTPC	62LHDCBEXTPCP	62LHDCBEXTFXO
3246A	Curb Box (CB)	35.75 x 23.875	33.5 x 21.0	3.6	2.6	1.8	3.6	62LHDFX	62LHDFXP	62LHDPC	62LHDPCP	62LHDFXO
3030	Square/Rect (SQ)	23 x 16	45.5 x 30	1.6	1.4	1.8	2.6	62MHDFX	62MHDFXP	62MHDP	62MHDP	62MHDFXO
3067-C	Square/Rect (SQ)	35.25 x 17.75	33.0 x 15.0	3.2	2.3	1.9	5.8	62LHDFX	62LHDFXP	62LHDPC	62LHDPCP	62LHDFXO

Flexstorm Accessories

62CTSB	Included with every FX+ and PC+ bag, this pouch skims hydrocarbons from the storm water.
62UMT	Flexstorm's Patented 2 man Flexstorm Matintenance and Grate removal tool. Remove 400 lb grates and service full Flexstorm filters without the use of a machine.
62LOB	Oil absorbent boom attached to any bag style (Manufacturer suggests using 62CTSB instead of 62LOB)



62MHDFX (Multiple bag styles available)

WWW.INLETFILTERS.COM

All filter bags available with WISDOT Type FF Filter Fabric

*To order please contact your local ADS rep or ADS Customer service (800-733-9554) and provide ADS Part number and Casting #, item code, or the grate and clear opening dimensions in reference field.

**You cannot order a Flexstorm Inlet filter without a Casting #, item code, or grate and clear opening measurements

***For submittal drawings, dimensional forms, videos, Operation & Maintenance procedures, and promotional materials visit www.inletfilters.com

****To locate your ADS Sales rep [Click here](#)

Pub 12/22/2015