

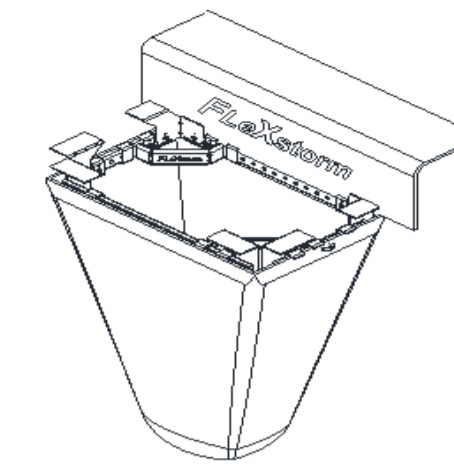


ARIZONA/MAG - ADS FLEXSTORM X-REF

Arizona/MAG



Temporary Inlet Protection  
Galvanized Framing



62MCBFX (w/Curb flap)

Product selection for FLEXSTORM CATCH-IT Filters (Temporary Inlet Protection)								
MAG STD.	Drawing Index	Inlet Type	Grate Size	Opening Size	Bag Cap (ft <sup>3</sup> )	Flow Ratings (CFS)		ADS P/N
						FX	Bypass	
Type D	533	Square/Rect (SQ)	40.5 x 26.5	36.0 x 22.0	3.0	2.4	5.4	62LSQFX
Type E	534	Curb Box (CB)	33.5 x 17.75	33.0 x 15.125	2.1	1.9	4.4	62LCBFX
Type F	535	Square/Rect (SQ)	41.0 x 30.0	41.0 x 24.0	4.3	2.7	6.1	62XLSQFX
Type G/H	537	Square/Rect (SQ)	28.5 x 28.5	24.0 x 24.0	2.6	2.0	4.5	62MSQFX
Type G/H Double Grate	538	Square/Rect (SQ)	52.5 x 28.5	48.0 x 24.0	5.0	3.0	6.7	62XLSQFX



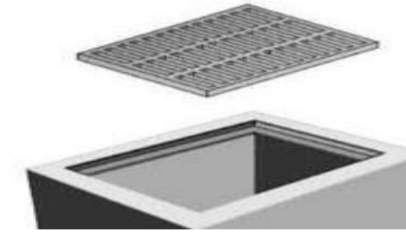
Square/Rectangular (SQ)



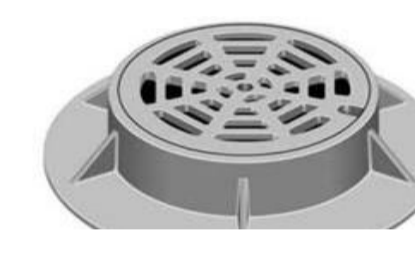
Rolled Curb (RC)



Curb Box (CB)



Square/Rect on Concrete Box (HD)

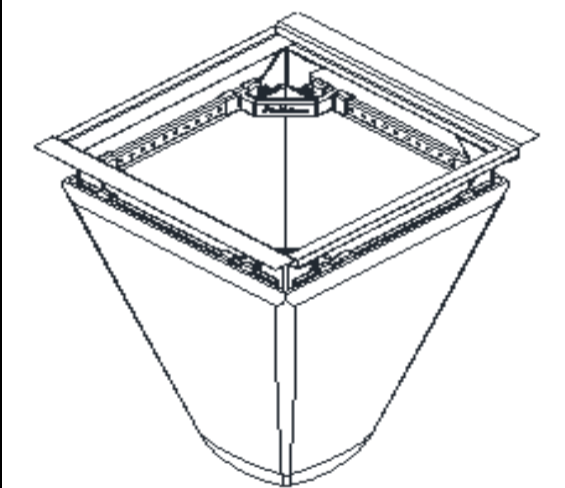


Round (RD)

Product selection for FLEXSTORM PURE Filters (Permanent Inlet Protection)												
MAG STD.	Drawing Index	Inlet Type	Grate Size	Opening Size	Bag Cap (ft <sup>3</sup> )	Flow Ratings (CFS)			DISTRIBUTOR P/N			
						FX/FX+	PC/PC+	Bypass	FX	FX+	PC	PC+
Type A	530	Open Throat	N/A	42.0	2.1	2.2	1.5	N/A*	62HDWM1FX	62HDWM1FXP	62HDWM1PC	62HDWM1PCP
Type B	531	Open Throat	N/A	66.0	3.3	3.2	2.3	N/A*	62HDWM2FX	62HDWM2FXP	62HDWM2PC	62HDWM2PCP
Type C	532	Open Throat	N/A	96.0	4.9	4.5	3.2	N/A*	62HDWM2FX	62HDWM2FXP	62HDWM2PC	62HDWM2PCP
Type D	533	Square/Rect	40.5 x 26.5	36.0 x 22.0	3.0	2.4	1.7	6.5	62LHDFX	62LHDFXP	62LHDPC	62LHDPCP
Type E	534	Curb Box	33.5 x 17.75	33.0 x 15.125	2.1	1.9	1.4	5.3	62LHDFX	62LHDFXP	62LHDPC	62LHDPCP
Type F	535	Square/Rect	41.0 x 30.0	41.0 x 24.0	4.3	2.7	1.9	7.3	62XLHDFX	62XLHDFXP	62XLHDPC	62XLHDPCP
Type G/H	537	Square/Rect	28.5 x 28.5	24.0 x 24.0	2.6	2.0	1.4	5.4	62HD24FX	62HD24FXP	62HD24PC	62HD24PCP
Type G/H Double Grate	538	Square/Rect	52.5 x 28.5	48.0 x 24.0	5.0	3.0	2.1	8.1	62XLHDFX	62XLHDFXP	62XLHDPC	62XLHDPCP



Permanent Inlet Protection  
Stainless Steel Framing



62MHDFX (Multiple bag styles available)

\*Wall Mount units do not require Bypass

Flexstorm Accessories		
62CTSB	Included with every FX+ and PC+ bag, this pouch skims hydrocarbons from the storm water.	
62UMT	Flexstorm's Patented 2 man Flexstorm Matintenance and Grate removal tool. Remove 400 lb grates and service full Flexstorm filters without the use of a machine.	

[WWW.INLETFILTERS.COM](http://WWW.INLETFILTERS.COM)

\*To order please contact your local ADS rep or ADS Customer service (800-733-9554) and provide ADS Part number and Casting #, item code, or the grate and clear opening dimensions in reference field.

\*\*You cannot order a Flexstorm Inlet filter without a Casting #, item code, or grate and clear opening measurements

\*\*\*For submittal drawings, dimensional forms, videos, Operation & Maintenance procedures, and promotional materials visit [www.inletfilters.com](http://www.inletfilters.com)

\*\*\*\*[Locate your ADS Sales rep Click here](#)