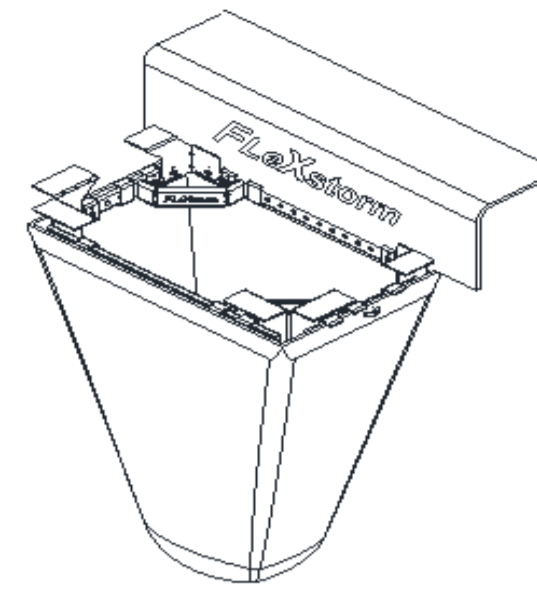
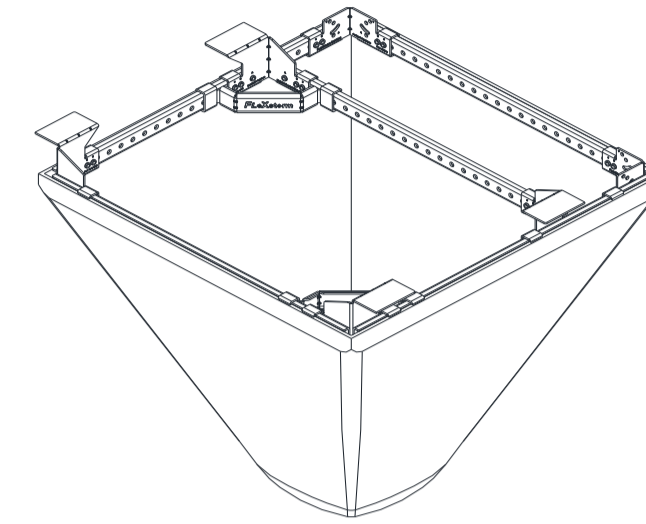


Product selection for FLEXSTORM CATCH-IT Filters (Temporary Inlet Protection)								
ND DOT Standard	Neenah Casting	East Jordan Casting #	Inlet Type	Grate Size	Opening Size	Bag Cap. (ft <sup>3</sup> )	FX Flow Ratings (CFS)	ADS P/N
City of Fargo	R-3404	5100 or 5113	Square (SQ)	21.5 x 21.5	20.125 x 20.125	2.6	1.7	62MSQ22FX
City of Moorhead	R-3405	5250	Square (SQ)	23.625 x 23.625	22 x 22	3.1	1.9	62MS22QFX
City of Bismarck	R-3067	7030	Curb Box (CB)	35.5 x 18.0	33.0 x 16.0	3.8	2.2	62LCBFX (Flap) or 62LCBEXTFX (EXT)
City of West Fargo	R-3250-A	7550M	Round (RD)	25.625	24.0	2	1.5	62MRDFX
City of Grand Folks	R-3065	V4010	Curb Box (CB)	19.875 x 17.0	18 x 15.125	1.7	1.4	62MCBFX
ND DOT Type 1 Inlet	R-3030	7010	Curb Box (CB)	23.0 x 16.0	20.5 x 13.5	1.8	1.4	62MCBFX
ND DOT Type 2 Inlet	R-3067	7030	Curb Box (CB)	35.5 x 18.0	33.0 x 16.0	3.4	2.1	62LCBFX (Flap) or 62LCBEXTFX (EXT)
ND DOT Mountable Type B	R-3382	7567M2	V Grate (SQV)	39.625 x 22.125	35.125 x 18.5	4.1	2.3	62LSQFX
ND DOT Inlet Type A	R-2030	1058	Round (RD)	23	20.875	1.5	1.3	62MRDFX
ND DOT Inlet Type 1 with V Grate	R-3065	V4010	Curb Box (CB)	19.875 x 17.0	18 x 15.125	4.1	2.3	62MCBFX
ND DOT Inlet Type 2 Double	R-3295-2	7031	Curb box (CB)	35.5 x 18 (x2)	33.0 x 16.0 (x2)	7.6	4.4	62XLCBFX (Flap) or 62XLCBEXTFX (EXT)
Standard	R-1733	1205	Round (RD)	25.75	24.375	2.1	1.6	62MRDFX



62LCBFX with Curb Flap to cover curb hood opening.



62LCBEXTFX with Extended Back which fits under the curb hood.

"+Please indicate vaned or flat grate"



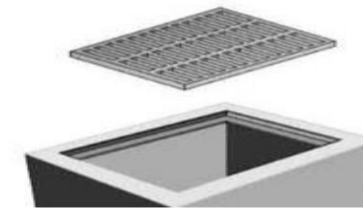
Square/Rectangular (SQ)



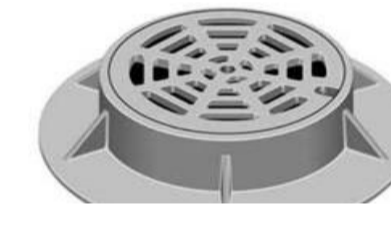
Rolled Curb (RC)



Curb Box (CB)



Square/Rect on Concrete Box (HD)

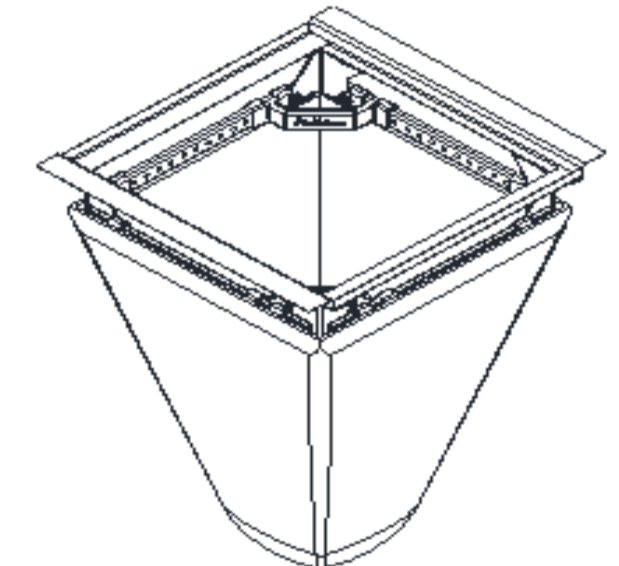


Round (RD)

Product selection for FLEXSTORM PURE Filters (Permanent Inlet Protection)													
ND DOT Standard	Neenah Casting	East Jordan Casting #	Inlet Type	Grate Size	Opening Size	Bag Cap. (ft <sup>3</sup> )	Flow Ratings (CFS)			ADS P/N			
							FX/FX+	PC/PC+	Bypass	FX	FX+	PC	PC+
City of Fargo	R-3404	5100	Square (SQ)	21.5 x 21.5	20.125 x 20.125	2.6	1.7	1.2	4.3	62MHDFX	62MHDFXP	62MHDPC	62MHDPCP
City of Moorhead	R-3405	5250	Square (SQ)	23.625 x 23.625	22 x 22	3.1	1.9	1.3	4.7	62MHDFX	62MHDFXP	62MHDPC	62MHDPCP
City of Bismarck	R-3067	7030	Curb Box (CB)	35.5 x 18.0	33.0 x 16.0	3.8	2.2	1.5	5.3	62LHDEXTFX	62LHDXRTFXP	62LHDEXTPC	62LHDEXTPCP
City of West Fargo	R-3250-A	7550M	Round (RD)	25.625	24	2.0	1.5	1.1	5.3	62MHRFX	62MHRFXP	62MHRPC	62MHRPCP
City of Grand Folks	R-3065	V4010	Curb Box (CB)	19.875 x 17.0	18 x 15.125	1.7	1.4	1.0	3.6	62MHDFX	62MHDFXP	62MHDPC	62MHDPCP
ND DOT Type 1 Inlet	R-3030	7010	Curb Box (CB)	23.0 x 16.0	20.5 x 13.5	1.8	1.4	1.0	3.7	62MHDFX	62MHDFXP	62MHDPC	62MHDPCP
ND DOT Type 2 Inlet	R-3067	7030	Curb Box (CB)	35.5 x 18.0	33.0 x 16.0	3.4	2.1	1.5	5.3	62LHDFX	62LHDFXP	62LHDFX	62LHDFX
ND DOT Mountable Type B	R-3382	7567M2	V Grate (SQV)	39.625 x 22.125	35.125 x 18.5	4.1	2.3	1.6	5.8	62LHDFX	62LHDFXP	62LHDPC	62LHDPCP
ND DOT Mountable Type 2 Inlet	R-2030	1058	Round (RD)	23	20.875	1.5	1.3	0.6	2.3	62MHRFX	62MHRFXP	62MHRPC	62MHRPCP
ND DOT Inlet Type 1 with V Grate	R-3065	V4010	Curb Box (CB)	19.875 x 17.0	18 x 15.125	4.1	2.3	1.0	3.6	62MHDFX	62MHDFXP	62MHDPC	62MHDPCP
ND DOT Inlet Type 2 Double	R-3295-2	7031	Curb Box (CB)	35.5 x 18 (x2)	33.0 x 16.0 (x2)	7.6	4.4	1.6	5.3	62XLHDEXTFX	62XLHDEXTFXP	62XLHDEXTPC	62XLHDEXTPCP
Standard	R-1733	1205	Round (RD)	25.75	24.375	2.1	1.6	1.1	5.4	62MHRFX	62MHRFXP	62MHRPC	62MHRPCP



Permanent Inlet Protection



62MHDFX (Multiple bag styles available)

Flexstorm Accessories	
62CTSB	Included with every FX+ and PC+ bag, this pouch skims hydrocarbons from the storm water.
62UMT	Flexstorm's Patented 2 man Flexstorm Maintenance and Grate removal tool. Remove 400 lb grates and service full Flexstorm filters without a machine.

[WWW.INLETFILTERS.COM](http://WWW.INLETFILTERS.COM)

\*To order please contact your local ADS rep or ADS Customer service (800-733-9554) and provide ADS Part number and Casting #, item code, or the grate and clear opening dimensions in reference field.

\*\*You cannot order a Flexstorm Inlet filter without a Casting #, item code, or grate and clear opening measurements

\*\*\*For submittal drawings, dimensional forms, videos, Operation & Maintenance procedures, and promotional materials visit [www.inletfilters.com](http://www.inletfilters.com)

\*\*\*\*Locate your ADS Sales rep [Click here](#)