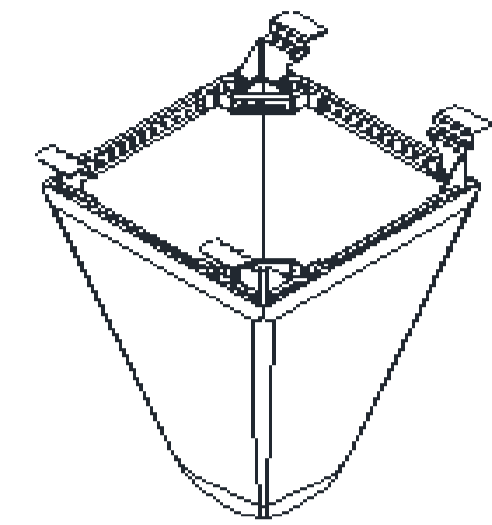


Product selection for FLEXSTORM CATCH-IT Filters (Temporary Inlet Protection)

Louisiana DOTD Reference	USF Casting	Inlet Type	Grate Size	Opening Size	Bag Cap. (ft ³)	FX Flow Ratings (CFS)*	ADS P/N		
CB-01, CB-02, CB-03, CB-09	4601-6410 or 6674-6673	Square/Rect (SQ)	40 x 28.25	36 x 24	3.9	2.5	62LSQFX		
CB-04	4650-6278	Square/Rect (SQ)	28 x 28	24.5 x 24.5	1.9	1.4	62MSQFX		
CB-05	6279	Concrete Box (HD)	13.5 x 13.5	12 x 12	0.9	1.0	62SSQFX		
CB-06, CB-07	5188-JN	Square/Rect (SQ)	54 x 11.125	48 x 11.125	3.3	2.5	62MSQFX		
CB-08	2 EA. 5188-JN-6688	Square/Curb Inlet	108 x 11.125	96 x 11.125	6.6	5.0	62XLSQFX		
CB-62	Qty 2 4601-6410	Square/Rect (SQ)	Qty 2 - 40 x 28.25	Qty 2 - 36 x 24	7.8	5.0	2 x 62LSQFX		
R-CB-11	1345-BX	Round (RD)	23.5	22	1.9	1.7	62MRDFX		



62MSQFX



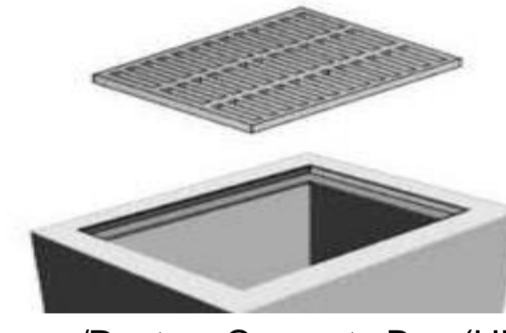
Square/Rectangular (SQ)



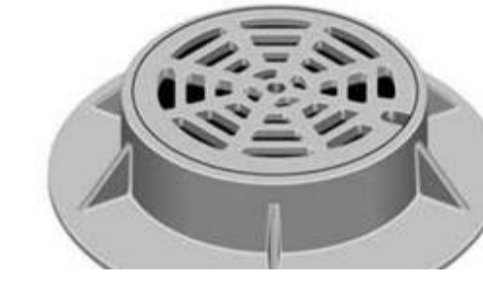
Rolled Curb (RC)



Curb Box (CB)



Square/Rect on Concrete Box (HD)



Round (RD)

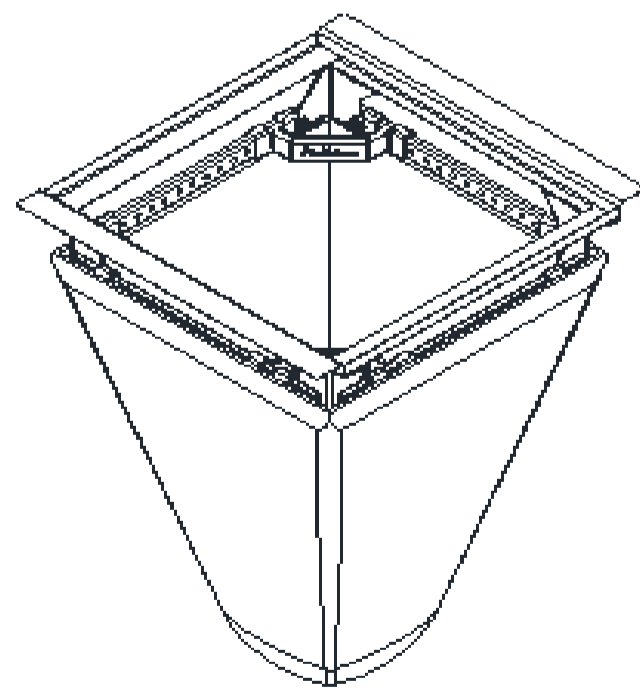


Product selection for FLEXSTORM PURE Filters (Permanent Inlet Protection)

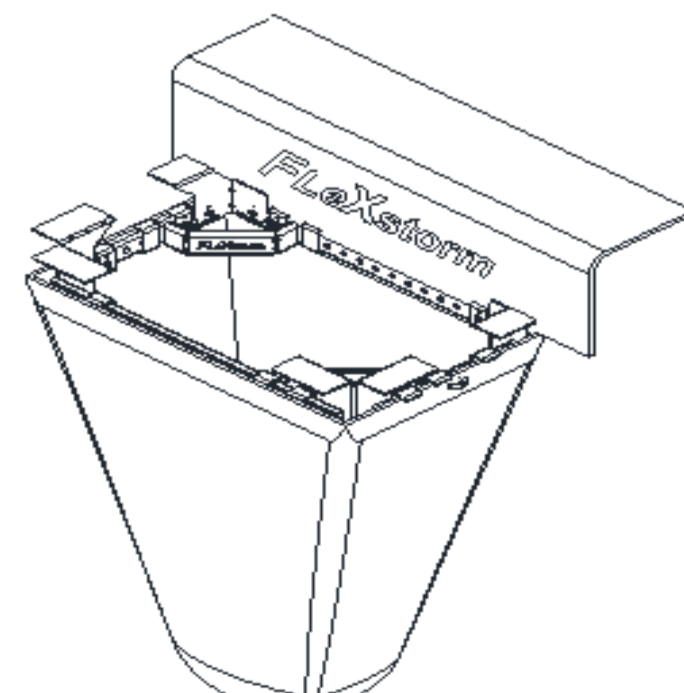
Louisiana DOTD Reference	USF Casting	Inlet Type	Grate Size	Opening Size	Bag Cap. (ft ³)	Flow Ratings (CFS)			DISTRIBUTOR Price			
						FX/FX+	PC/PC+	Bypass	FX	FX+	PC	PC+
CB-01, CB-02, CB-03, CB-09	4601-6410 or 6674-6673	Square/Rect (SQ)	40 x 28.25	36 x 24	3.9	2.5	1.7	6.5	62LHDFX	62LHDFXP	62LHDPC	62LHDPCP
CB-04	4650-6278	Square/Rect (SQ)	28 x 28	24.5 x 24.5	3.2	1.9	1.7	5.8	62LHDFX	62LHDFXP	62LHDPC	62LHDPCP
CB-05	6279	Concrete Box (HD)	13.5 x 13.5	12 x 12	0.9	1.0	0.7	2.4	62SHDFX	62SHDFXP	62SHDPC	62SHDPCP
CB-06, CB-07	5188-JN	Square/Rect (SQ)	54 x 11.125	48 x 11.125	3.3	2.5	1.7	5.8	62MHDFX	62MHDFXP	62MHDPC	62MHDPCP
CB-08	2 EA. 5188-JN-6688	Square/Curb Inlet	108 x 11.125	96 x 11.125	6.6	5.0	1.7	5.8	62XLHDFX	62XLHDFXP	62XLHDPC	62XLHDPCP
CB-62	Qty 2 4601-6410	Square/Rect (SQ)	Qty 2 - 40 x 28.25	Qty 2 - 36 x 24	7.8	5.0	3.4	13.0	2 x 62LSQFX	2 x 62LSQFXP	2 x 62LSQPC	2 x 62LSQPCP
R-CB-11	1345-BX	Round (RD)	23.5	22	1.9	1.7	1.5	4.9	62MHDRFX	62MHDRFXP	62MHDRPC	62MHDRPCP

Flexstorm Accessories

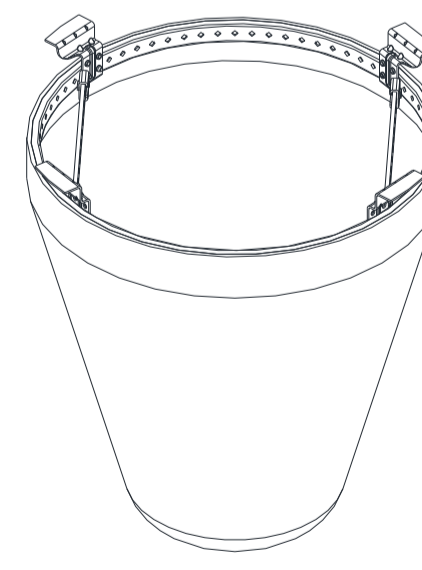
62CTSB	Included with every FX+ and PC+ bag, this pouch skims hydrocarbons from the storm water.	
62UMT	Flexstorm's Patented 2 man Flexstorm Maintenance and Grate removal tool. Remove 400 lb grates and service full Flexstorm filters without a machine.	



62MHDFX
(Multiple bag styles available)



62MCBFX



62MRDFX



2 Person Maintenance Tool
ADS P/N 62UMT



62CTSB- Cleartec Skimmer pouch for hydrocarbon removal.
Included with every FX+ or PC+ Bag.

WWW.INLETFILTERS.COM

*To order please contact your local ADS rep or ADS Customer service (800-733-9554) and provide ADS Part number and Casting #, item code, or the grate and clear opening dimensions in reference field.

**You cannot order a Flexstorm Inlet filter without a Casting #, item code, or grate and clear opening measurements

***For submittal drawings, dimensional forms, videos, Operation & Maintenance procedures, and promotional materials visit www.inletfilters.com

****Locate your ADS Sales rep [Click here](#)