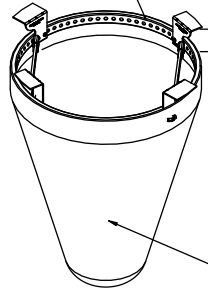


# FLEXSTORM CATCH-IT FILTERS FOR TEMPORARY INLET PROTECTION PRODUCT SELECTION AND SPECIFICATION DRAWING

ARIZONA

GALVANIZED STEEL FRAMING  
W/LIFT HANDLES

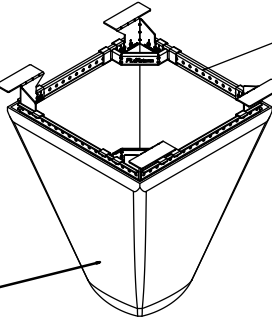


ULTIMATE BYPASS  
AREA

REPLACEABLE FILTER BAG  
W/STAINLESS CLAMPING BAND

FLEXSTORM CATCH-IT INLET FILTERS  
FOR ROUND OPENINGS

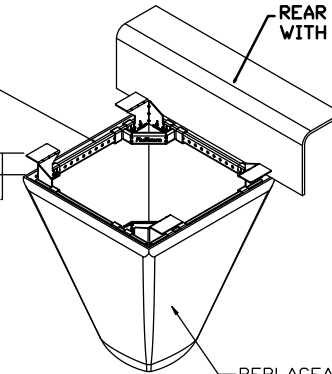
GALVANIZED STEEL FRAMING  
W/LIFT HANDLES



FLEXSTORM CATCH-IT INLET FILTERS FOR  
SQUARE/RECTANGULAR OPENINGS

ULTIMATE BYPASS  
AREA

REAR CURB GUARD FLAP  
WITH MAGNETIC TIE DOWNS



FLEXSTORM CATCH-IT INLET FILTERS FOR  
CURB BOX OPENINGS (MAGNETIC CURB FLAP)

## Product selection for FLEXSTORM CATCH-IT Filters (Temporary Inlet Protection)

MAG STD.	Drawing Index	Inlet Type	Grate Size	Opening Size	Bag Cap (ft <sup>3</sup> )	Flow Ratings (CFS)		ADS P/N
						FX	Bypass	
Type D	533	Square/Rect (SQ)	40.5 x 26.5	36.0 x 22.0	3.0	2.4	5.4	62LSQFX
Type E	534	Curb Box (CB)	35.5 x 17.75	33.0 x 15.125	2.1	1.9	4.4	62LCBFX
Type F	535	Square/Rect (SQ)	41.0 x 30.0	41.0 x 24.0	4.3	2.7	6.1	62XLSQFX
Type G/H	537	Square/Rect (SQ)	28.5 x 28.5	24.0 x 24.0	2.6	2.0	4.5	62MSQFX
Type G/H Double Grate	538	Square/Rect (SQ)	52.5 x 28.5	48.0 x 24.0	5.0	3.0	6.7	62XLSQFX

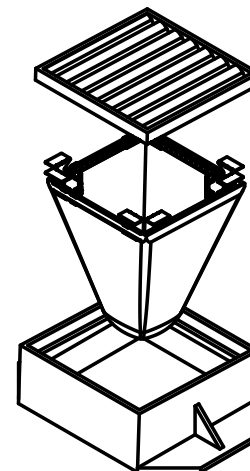
\*FLOW RATINGS SHOWN ARE 50% MAXIMUM

**NOTES:**

- ALL FRAMING IS CONSTRUCTED OF CORROSION RESISTANT STEEL FRAMING FOR PROLONGED PRODUCT LIFE.
- TOTAL BYPASS CAPACITY WILL VARY WITH EACH SIZED DRAINAGE STRUCTURE. FLEXSTORM DESIGNS FRAMING BYPASS TO MEET OR EXCEED THE DESIGN FLOW OF THE PARTICULAR DRAINAGE STRUCTURE. CONCRETE STRUCTURES MAY REQUIRE ADDITIONAL REVIEW.
- UPON ORDERING THE ADS P/N CONFIRMATION OF THE DOT CALLOUT, FLEXSTORM ITEM CODE, CASTING MAKE AND MODEL, OR DETAILED DIMENSIONAL FORMS MUST BE PROVIDED.
- FOR WRITTEN SPECIFICATIONS AND MAINTENANCE GUIDELINES VISIT [WWW.INLETFILTERS.COM](http://WWW.INLETFILTERS.COM)

**INSTALLATION:**

- REMOVE GRATE
- DROP FLEXSTORM INLET FILTER ONTO LOAD BEARING LIP OF CASTING OR CONCRETE STRUCTURE
- REPLACE GRATE



ALL PRODUCTS MANUFACTURED BY INLET & PIPE PROTECTION, INC A DIVISION OF ADS, INC.  
[WWW.INLETFILTERS.COM](http://WWW.INLETFILTERS.COM)  
 (866) 287-8655 PH  
 (630) 355-3477 FX  
[INFO@INLETFILTERS.COM](mailto:INFO@INLETFILTERS.COM)

SIZE C	DWG NO C-AZ-SUBMIT	REV A
SCALE	SHEET 1 OF 1	