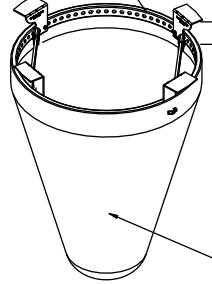


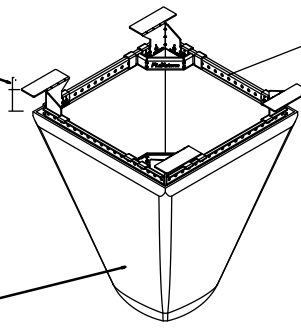
# FLEXSTORM CATCH-IT FILTERS FOR TEMPORARY INLET PROTECTION PRODUCT SELECTION AND SPECIFICATION DRAWING

GEORGIA

GALVANIZED STEEL FRAMING  
W/LIFT HANDLES

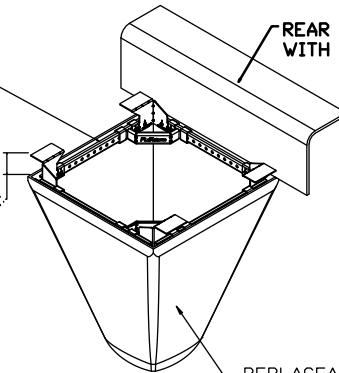


ULTIMATE BYPASS  
AREA



GALVANIZED STEEL FRAMING  
W/LIFT HANDLES

ULTIMATE BYPASS  
AREA



REAR CURB GUARD FLAP  
WITH MAGNETIC TIE DOWNS

REPLACEABLE FILTER BAG  
W/STAINLESS CLAMPING BAND

FLEXSTORM CATCH-IT INLET FILTERS  
FOR ROUND OPENINGS

FLEXSTORM CATCH-IT INLET FILTERS FOR  
SQUARE/RECTANGULAR OPENINGS

FLEXSTORM CATCH-IT INLET FILTERS FOR  
CURB BOX OPENINGS (MAGNETIC CURB FLAP)

Product selection for FLEXSTORM CATCH-IT Filters (Temporary Inlet Protection)							
Standard	USF Casting	Inlet Type	Grate Size	Opening Size	Bag Cap. (ft <sup>3</sup> )	Flow Rating (CFS)*	ADS P/N
1010 Catch Basin	4612	Square/Rect (SQ)	33.75 x 21.75	31.375 x 19.375	4.0	2.2	62LSQFX
1013 Catch Basin	5135	Curb Box (CB)	33.75 x 21.76	31.375 x 19.375	4.0	2.2	62MSQFX
1019 A Type A/B/C/D	4607	Square/Rect (SQ)	28.75 X 21	26.5 X 18.25	3.0	1.9	62MSQFX
1019 A Type E	5151	Curb Box (CB)	28.75 X 21	26.5 X 18.25	3.0	1.9	62MCBFX
1019 B (Type V-1)	5149/5150	Curb Box (CB)	33.75 x 21.75	31.375 x 19.375	4.4	2.3	62LCBFX
1019 B (Type V-2)	4612	Square/Rect (SQ)	33.75 x 21.75	31.375 x 19.375	4.4	2.3	62LSQFX
2' x 3' Std.	4180	Square/Rect (SQ)	36 x 24	34 x 22	4.5	2.5	62LSQFX
1035 12"	5605	Round (RD)	13"	10"	0.2	0.5	62SRDFX
1035 15"	5610	Round (RD)	18"	15"	0.5	0.8	62SRDFX
1035 18"	5615/5620	Round (RD)	20"/21"	18"	0.8	1.0	62MRDFX
1035 21"	5625	Round (RD)	24.5"	21"	1.1	1.2	62MRDFX

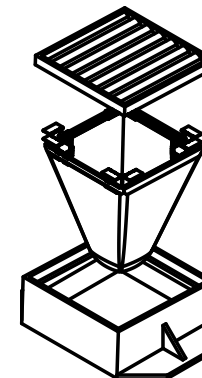
\*FLOW RATINGS SHOWN ARE 50% MAXIMUM

**NOTES:**

- ALL FRAMING IS CONSTRUCTED OF CORROSION RESISTANT STEEL FRAMING FOR PROLONGED PRODUCT LIFE.
- TOTAL BYPASS CAPACITY WILL VARY WITH EACH SIZED DRAINAGE STRUCTURE. FLEXSTORM DESIGNS FRAMING BYPASS TO MEET OR EXCEED THE DESIGN FLOW OF THE PARTICULAR DRAINAGE STRUCTURE. CONCRETE STRUCTURES MAY REQUIRE ADDITIONAL REVIEW.
- UPON ORDERING THE ADS P/N CONFIRMATION OF THE DOT CALLOUT, FLEXSTORM ITEM CODE, CASTING MAKE AND MODEL, OR DETAILED DIMENSIONAL FORMS MUST BE PROVIDED.
- FOR WRITTEN SPECIFICATIONS AND MAINTENANCE GUIDELINES VISIT [WWW.INLETFILTERS.COM](http://WWW.INLETFILTERS.COM)

**INSTALLATION:**

- REMOVE GRATE
- DROP FLEXSTORM INLET FILTER ONTO LOAD BEARING LIP OF CASTING OR CONCRETE STRUCTURE
- REPLACE GRATE



ALL PRODUCTS MANUFACTURED BY INLET & PIPE PROTECTION, INC A DIVISION OF ADS, INC.  
[WWW.INLETFILTERS.COM](http://WWW.INLETFILTERS.COM)  
 (866) 287-8655 PH  
 (630) 355-3477 FX  
[INFO@INLETFILTERS.COM](mailto:INFO@INLETFILTERS.COM)

SIZE	DWG NO	REV
C	C-GA-SUBMIT	A
SCALE	SHEET 1 OF 1	