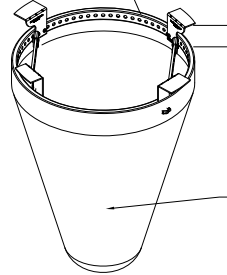


FLEXSTORM CATCH-IT FILTERS FOR TEMPORARY INLET PROTECTION PRODUCT SELECTION AND SPECIFICATION DRAWING

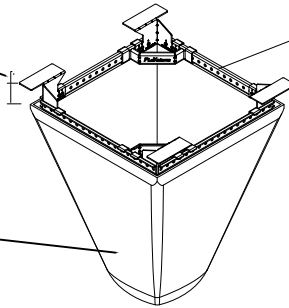
INDIANA

GALVANIZED STEEL FRAMING
W/LIFT HANDLES



FLEXSTORM CATCH-IT INLET FILTERS
FOR ROUND OPENINGS

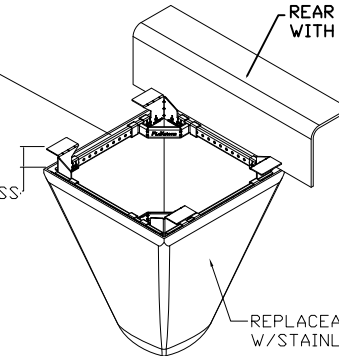
ULTIMATE BYPASS
AREA



FLEXSTORM CATCH-IT INLET FILTERS FOR
SQUARE/RECTANGULAR OPENINGS

GALVANIZED STEEL FRAMING
W/LIFT HANDLES

ULTIMATE BYPASS
AREA



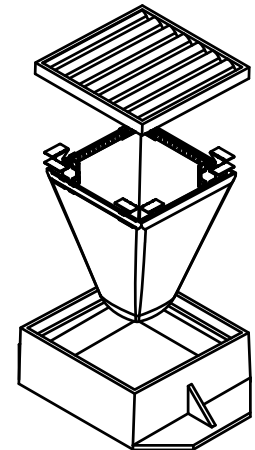
FLEXSTORM CATCH-IT INLET FILTERS FOR
CURB BOX OPENINGS (MAGNETIC CURB FLAP)

REAR CURB GUARD FLAP
WITH MAGNETIC TIE DOWNS

REPLACEABLE FILTER BAG
W/STAINLESS CLAMPING BAND

Product selection for FLEXSTORM CATCH-IT Filters (Temporary Inlet Protection)

INDOT Reference	Neenah Casting	East Jordan Casting	USF Casting	Inlet Type	Grate Size	Opening Size	Bag Cap. (ft ³)	FX Flow Ratings (CFS)	ADS P/N
8, 9	R3286-8V/9V	7520-T1	5249-6029	Curb Box (CB)	21.6 x 15.6	19.7 x 13.5	1.9	1.5	62MCBIN8FX
10, 11	R3287-10V	7505	5239-6139	Curb Box (CB)	34.75 x 15.6	33 x 14	2.5	2.0	62LCBIN10FX
15	R3287-15	7565	5235-6132	Curb Box (CB)	2 x 22.5 x 22.5	2 x 20 x 2.0	4.2	3.6	62XLCB15FX
	3067/3246	7030		Curb Box (CB)	35.5 x 17.5	33 x 16	2.8	2.3	62LCBEXTFX
2	R3472	5340	4008-6008	Square/Rectangular (SQ)	21.75 x 21.75	19.6 x 19.6	2.1	1.7	62MSQFX
	R-3455-C	V-5360		Square/Rectangular (SQ)	36 x 24	34.5 x 22.5	3.5	2.4	62LSQ2436FX
	R-3405	5250	4130	Square/Rectangular (SQ)	24 x 24	22 x 22	2.3	1.9	62MSQ22FX
5	R3527-M	5425	4628-6032	Square/Rectangular (SQ)	2 x 22.5 x 22.5	2 x 20.7 x 19.5	4.2	3.6	62XLSQFX
13	R3360-A	5335	4144-6364	Square/Rectangular (SQ)	29.75 x 16.75	27.5 x 14.5	2.1	1.7	62MSQFX
7	R4215-C	6610	6006	Square/Rectangular (SQ)	33.9 x 33.9	29.5 X 29.5	3.8	2.7	62LSQFX
12A	R3808-2	5405		Square/Rectangular (SQ)	45.25 x 28.6	40.1 x 23.5	4.2	3.6	62XLSQFX
	2504	1040	193-5692	Round (RD)	22.25-23.5	~20.5	1.5	1.2	62MRDFX
	2501/4342	1040/2830	227-YF	Beehive (RDB)	Beehive Grates	~24.0	1.9	1.5	62MRDFX
	3501-TR/TL	7495	5254-6233	Rolled Curb	26 x 23.5	26 x 22	3.1	1.9	62LSQFX3501-TR



*FLOW RATINGS SHOWN ARE 50% MAXIMUM

NOTES:

- ALL FRAMING IS CONSTRUCTED OF CORROSION RESISTANT STEEL FRAMING FOR PROLONGED PRODUCT LIFE.
- TOTAL BYPASS CAPACITY WILL VARY WITH EACH SIZED DRAINAGE STRUCTURE. FLEXSTORM DESIGNS FRAMING BYPASS TO MEET OR EXCEED THE DESIGN FLOW OF THE PARTICULAR DRAINAGE STRUCTURE. CONCRETE STRUCTURES MAY REQUIRE ADDITIONAL REVIEW.
- UPON ORDERING THE ADS P/N CONFIRMATION OF THE DOT CALLOUT, FLEXSTORM ITEM CODE, CASTING MAKE AND MODEL, OR DETAILED DIMENSIONAL FORMS MUST BE PROVIDED.
- FOR WRITTEN SPECIFICATIONS AND MAINTENANCE GUIDELINES VISIT WWW.INLETFILTERS.COM

INSTALLATION:

- REMOVE GRATE
- DROP FLEXSTORM INLET FILTER ONTO LOAD BEARING LIP OF CASTING OR CONCRETE STRUCTURE
- REPLACE GRATE

FLEXSTORM
INLET FILTERS
CATCH-IT

ALL PRODUCTS MANUFACTURED
BY INLET & PIPE PROTECTION, INC
A DIVISION OF ADS, INC.
WWW.INLETFILTERS.COM
(866) 287-8655 PH
(630) 355-3477 FX
INFO@INLETFILTERS.COM

SIZE	DWG NO	REV
C	C-IN-SUBMIT	A
SCALE	SHEET 1 OF 1	