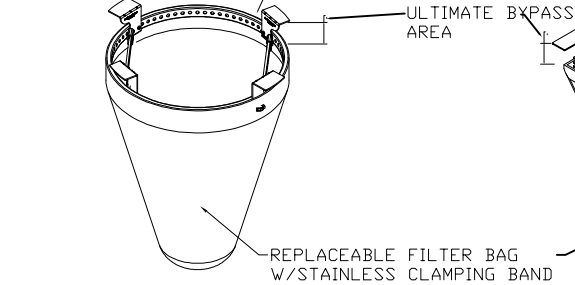


FLEXSTORM CATCH-IT FILTERS FOR TEMPORARY INLET PROTECTION PRODUCT SELECTION AND SPECIFICATION DRAWING

NORTH DAKOTA

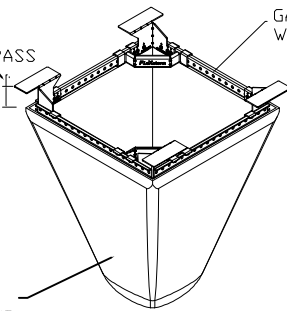
GALVANIZED STEEL FRAMING
W/LIFT HANDLES



FLEXSTORM CATCH-IT INLET FILTERS
FOR ROUND OPENINGS

GALVANIZED STEEL FRAMING
W/LIFT HANDLES

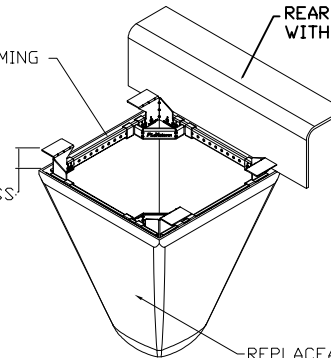
ULTIMATE BYPASS
AREA



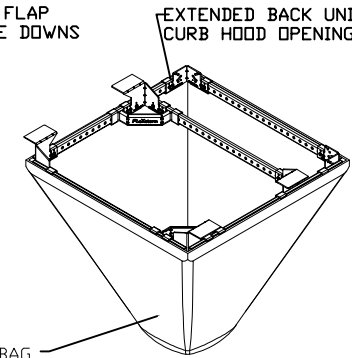
FLEXSTORM CATCH-IT INLET FILTERS FOR
SQUARE/RECTANGULAR OPENINGS

REAR CURB GUARD FLAP
WITH MAGNETIC TIE DOWNS

EXTENDED BACK UNDER
CURB HOOD OPENING



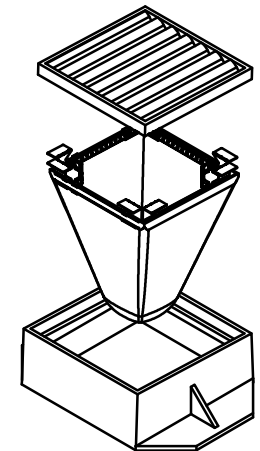
FLEXSTORM CATCH-IT INLET FILTERS FOR
CURB BOX OPENINGS (MAGNETIC CURB FLAP)



FLEXSTORM CATCH-IT INLET FILTERS FOR
CURB BOX OPENINGS (EXTENDED BACK)

Product selection for FLEXSTORM CATCH-IT Filters (Temporary Inlet Protection)

North Dakota DOT Standard	Neenah Casting	East Jordan Casting #	Inlet Type	Grate Size	Opening Size	Bag Cap. (ft ³)	FX Flow Ratings (CFS)	ADS P/N
City of Fargo	R-3404	5100 or 5113	Square (SQ)	21.5 x 21.5	20.125 x 20.125	2.6	1.7	62MSQ20FX
City of Fargo		5113M1	Square (SQ)	21.5 x 21.5	20.125 x 20.125	2.6	1.7	62MSQ20FX
City of Moorhead	R-3405	5250	Square (SQ)	23.625 x 23.625	22 x 22	3.1	1.9	62MSQ22FX
City of Bismarck	R-3067	7030	Curb Box (CB)	35.5 x 18.0	33.0 x 16.0	3.8	2.2	62LCBFX3618 (Flap) or 62LCBEXTFX (EXT)
City of West Fargo	R-3250-A	7550M	Round (RD)	25.625	24.0	2	1.5	62MRDFX
City of Grand Folks	R-3065	V4010	Curb Box (CB)	19.875 x 17.0	18 x 15.125	1.7	1.4	62MCBFX
ND DOT Type 1 Inlet	R-3030	7010	Curb Box (CB)	23.0 x 16.0	20.5 x 13.5	1.8	1.4	62MCBFX
ND DOT Type 2 Inlet	R-3067	7030/7030Z1	Curb Box (CB)	35.5 x 18.0	33.0 x 16.0	3.4	2.1	62LCBFX3618 (Flap) or 62LCBEXTFX (EXT)
ND DOT Mountable Type B	R-3382	7567M2	V Grate (SQV)	39.625 x 22.125	35.125 x 18.5	4.1	2.3	62LSQFX
ND DOT Inlet Type A	R-2030	1058	Round (RD)	23	20.875	1.5	1.3	62MRDFX
ND DOT Inlet Type 1 with V Grate	R-3065	V4010	Curb Box (CB)	19.875 x 17.0	18 x 15.125	4.1	2.3	62MCBFX
ND DOT Inlet Type 2 Double	R-3295-2	7031	Curb box (CB)	35.5 x 18 (x2)	33.0 x 16.0 (x2)	7.6	4.4	62LCBFX3618 (Flap) or 62LCBEXTFX (EXT)
	3067-C	7030z2	Square/Rect (SQ)	35.5x18	33.5x17	3.0	1.7	62LSQFX
Standard	R-1733	1205	Round (RD)	25.75	24.375	2.1	1.6	62MRDFX



INSTALLATION:

1. REMOVE GRATE
2. DROP FLEXSTORM INLET FILTER ONTO LOAD BEARING LIP OF CASTING OR CONCRETE STRUCTURE
3. REPLACE GRATE

NOTES:

1. ALL FRAMING IS CONSTRUCTED OF CORROSION RESISTANT STEEL FRAMING FOR PROLONGED PRODUCT LIFE.
2. ALL FILTER BAGS COMPRISED OF WOVEN GEOTEXTILE FABRIC; FLOWRATE OF 200 GALLONS PER MINUTE/SQFT WITH 82% FILTRATION EFFICIENCY.
3. TOTAL BYPASS CAPACITY WILL VARY WITH EACH SIZED DRAINAGE STRUCTURE. FLEXSTORM DESIGNS FRAMING BYPASS TO MEET OR EXCEED THE DESIGN FLOW OF THE PARTICULAR DRAINAGE STRUCTURE. CONCRETE STRUCTURES MAY REQUIRE ADDITIONAL REVIEW.
4. UPON ORDERING THE ADS P/N CONFIRMATION OF THE DOT CALLOUT, FLEXSTORM ITEM CODE, CASTING MAKE AND MODEL, OR DETAILED DIMENSIONAL FORMS MUST BE PROVIDED.
5. FOR WRITTEN SPECIFICATIONS AND MAINTENANCE GUIDELINES VISIT WWW.INLETFILTERS.COM

*FLOW RATINGS SHOWN ARE 50% MAXIMUM



ALL PRODUCTS MANUFACTURED BY INLET & PIPE PROTECTION, INC A DIVISION OF ADS, INC.
WWW.INLETFILTERS.COM
 (866) 287-8655 PH
 (630) 355-3477 FX
INFO@INLETFILTERS.COM

SIZE	DWG NO	REV
C	C-ND-SUBMIT	A
SCALE	SHEET 1 OF 1	