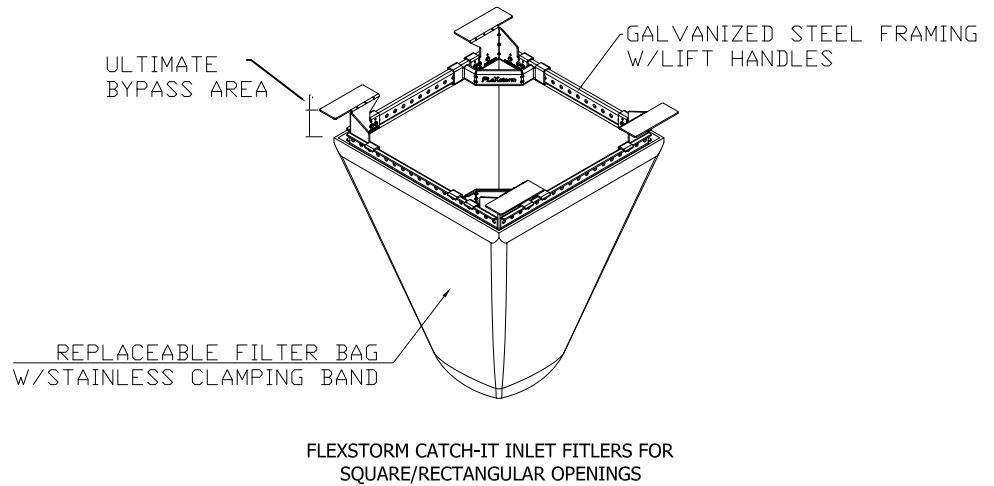
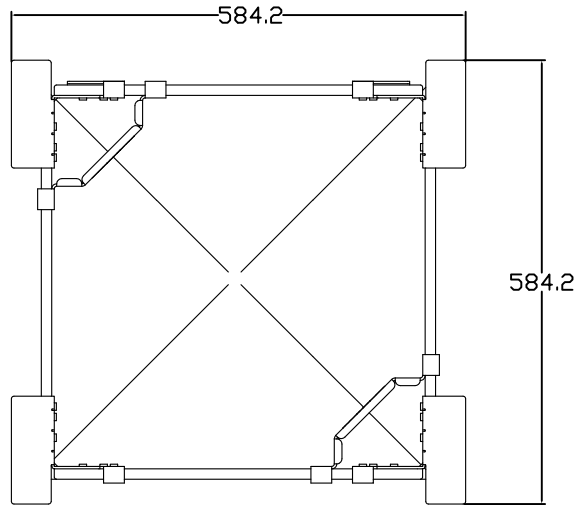


FLEXSTORM CATCH-IT FILTERS FOR TEMPORARY INLET PROTECTION
 PRODUCT SELECTION AND SPECIFICATION DRAWING

ODSP 400. __



Product selection for FLEXSTORM CATCH-IT Filters (Temporary Inlet Protection)

Standard	Inlet Type	Grate Size	Opening Size	Bag Cap (liters ³)	Flow Rating FX Bag (l/s)	ADS P/N
ODSP 400. __	Square/Rect (SQ) tab supports	604 x 604	508 x 508	67.8	53.8	62MSQONTFX

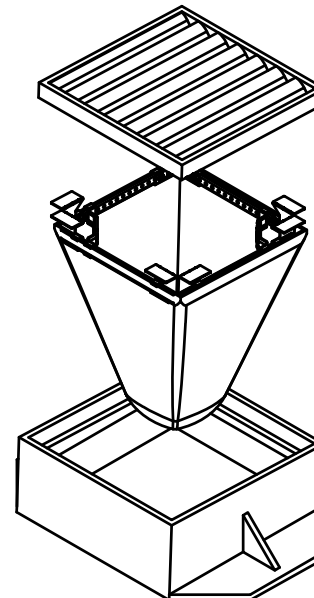
INSTALLATION:

1. REMOVE GRATE
2. DROP FLEXSTORM INLET FILTER ONTO LOAD BEARING LIP OF CASTING OR CONCRETE STRUCTURE
3. REPLACE GRATE

*FLOW RATINGS SHOWN ARE 50% MAXIMUM

NOTES:

1. ALL FRAMING IS CONSTRUCTED OF CORROSION RESISTANT STEEL FRAMING FOR PROLONGED PRODUCT LIFE.
2. TOTAL BYPASS CAPACITY WILL VARY WITH EACH SIZED DRAINAGE STRUCTURE. FLEXSTORM DESIGNS FRAMING BYPASS TO MEET OR EXCEED THE DESIGN FLOW OF THE PARTICULAR DRAINAGE STRUCTURE. CONCRETE STRUCTURES MAY REQUIRE ADDITIONAL REVIEW.
3. UPON ORDERING THE ADS P/N CONFIRMATION OF THE DOT CALLOUT, FLEXSTORM ITEM CODE, CASTING MAKE AND MODEL, OR DETAILED DIMENSIONAL FORMS MUST BE PROVIDED.
4. FOR WRITTEN SPECIFICATIONS AND MAINTENANCE GUIDELINES VISIT WWW.INLETFILTERS.COM



ALL PRODUCTS MANUFACTURED BY INLET & PIPE PROTECTION, INC A DIVISION OF ADS, INC. WWW.INLETFILTERS.COM (866) 287-8655 PH (630) 355-3477 FX INFO@INLETFILTERS.COM

SIZE	DWG NO	REV
C	C-SC-SUBMIT	A
SCALE	SHEET 1 OF 1	