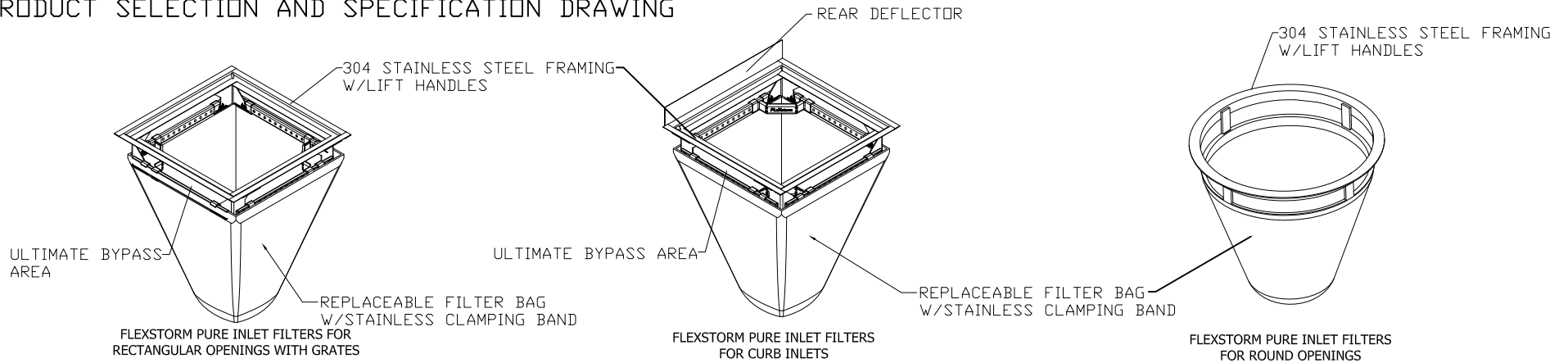


FLEXSTORM PURE FILTERS FOR PERMANENT INLET PROTECTION PRODUCT SELECTION AND SPECIFICATION DRAWING

ARIZONA/MAG



Product selection for FLEXSTORM PURE Filters (Permanent Inlet Protection)

MAG STD.	Drawing Index	Inlet Type	Grate Size	Opening Size	Bag Cap (ft ³)	Flow Ratings (CFS)			DISTRIBUTOR P/N			
						FX/FX+	PC/PC+	Bypass	FX	FX+	PC	PC+
Type A	530	Open Throat	N/A	42.0	2.1	2.2	1.5	N/A*	62HDWM1FX	62HDWM1FX	62HDWM1P	62HDWM1PC
Type B	531	Open Throat	N/A	66.0	3.3	3.2	2.3	N/A*	62HDWM2FX	62HDWM2FX	62HDWM2P	62HDWM2PC
Type C	532	Open Throat	N/A	96.0	4.9	4.5	3.2	N/A*	62HDWM2FX	62HDWM2FX	62HDWM2P	62HDWM2PC
Type D	533	Square/Rect	40.5 x 26.5	36.0 x 22.0	3.0	2.4	1.7	6.5	62LHDFX	62LHDFXP	62LHDPC	62LHDPCP
Type E	534	Curb Box	33.5 x 17.75	33.0 x 15.125	2.1	1.9	1.4	5.3	62LHDFX	62LHDFXP	62LHDPC	62LHDPCP
Type F	535	Square/Rect	41.0 x 30.0	41.0 x 24.0	4.3	2.7	1.9	7.3	62XLHDFX	62XLHDFXP	62XLHDPC	62XLHDPCP
Type G/H	537	Square/Rect	28.5 x 28.5	24.0 x 24.0	2.6	2.0	1.4	5.4	62HD24FX	62HD24FXP	62HD24PC	62HD24PCP
Type G/H Double Grate	538	Square/Rect	52.5 x 28.5	48.0 x 24.0	5.0	3.0	2.1	8.1	62XLHDFX	62XLHDFXP	62XLHDPC	62XLHDPCP

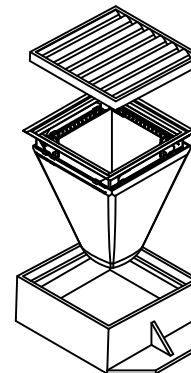
*FLOW RATINGS SHOWN ARE 50% MAXIMUM

NOTES:

- ALL FRAMING IS CONSTRUCTED OF 304 STAINLESS STEEL FOR 25 YEAR SERVICE LIFE RATING
- TOTAL BYPASS CAPACITY WILL VARY WITH EACH SIZED DRAINAGE STRUCTURE. FLEXSTORM DESIGNS FRAMING BYPASS TO MEET OR EXCEED THE DESIGN FLOW OF THE PARTICULAR DRAINAGE STRUCTURE.
- UPON ORDERING ADS P/N CONFIRMATION OF THE DOT CALLOUT, FLEXSTORM ITEM CODE, CASTING MAKE AND MODEL, OR DETAILED DIMENSIONAL FORMS MUST BE PROVIDED.
- FOR WRITTEN SPECIFICATIONS AND MAINTENANCE GUIDELINES VISIT WWW.INLETFILTERS.COM

INSTALLATION:

- REMOVE GRATE
- DROP FLEXSTORM INLET FILTER ONTO LOAD BEARING LIP OF CASTING OR CONCRETE STRUCTURE
- REPLACE GRATE



ALL PRODUCTS MANUFACTURED BY INLET & PIPE PROTECTION, INC A DIVISION OF ADS, INC.
WWW.INLETFILTERS.COM
 (866) 287-8655 PH
 (630) 355-3477 FX
INFO@INLETFILTERS.COM

SIZE	DWG NO	REV
C	P-AZ-SUBMIT	A
SCALE	SHEET 1 OF 1	