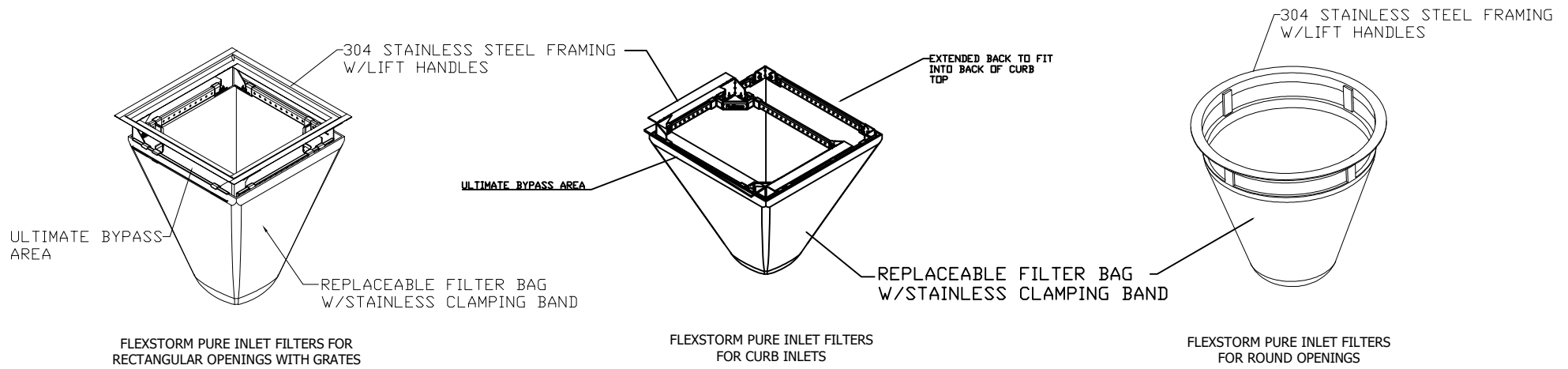


FLEXSTORM PURE FILTERS FOR PERMANENT INLET PROTECTION PRODUCT SELECTION AND SPECIFICATION DRAWING

LOUISIANA



Product selection for FLEXSTORM PURE Filters (Permanent Inlet Protection)												
Louisiana DOTD Reference	USF Casting	Inlet Type	Grate Size	Opening Size	Bag Cap. (ft ³)	Flow Ratings (CFS)			DISTRIBUTOR Price			
						FX/FX+	PC/PC+	Bypass	FX	FX+	PC	PC+
CB-01, CB-02, CB-03, CB-09	4601-6410 or 6674-6673	Square/Rect (SQ)	40 x 28.25	36 x 24	3.9	2.5	1.7	6.5	62LHDFX	62LHDFXP	62LHDPC	62LHDPCP
CB-04	4650-6278	Square/Rect (SQ)	28 x 28	24.5 x 24.5	3.2	1.9	1.7	5.8	62HD24FX	62HD24FXP	62HD24PC	62HD24PCP
CB-05	6279	Concrete Box (HD)	13.5 x 13.5	12 x 12	0.9	1.0	0.7	2.4	62SHDFX	62SHDFXP	62SHDPC	62SHDPCP
CB-06, CB-07	5188-JN	Square/Rect (SQ)	54 x 11.125	48 x 11.125	3.3	2.5	1.7	5.8	62MHDFX	62MHDFXP	62MHDPC	62MHDPCP
CB-08	2 EA. 5188-JN-6688	Square/Curb Inlet	108 x 11.125	96 x 11.125	6.6	5.0	1.7	5.8	62XLHDFX	62XLHDFXP	62XLHDPC	62XLHDPCP
CB-62	Qty 2 4601-6410	Square/Rect (SQ)	Qty 2 - 40 x 28.25	Qty 2 - 36 x 24	7.8	5.0	3.4	13.0	2 x 62HD3624FX	2 x 62HD3624FXP	2 x 62HD3624PC	2 x 62HD3624PCP
R-CB-11	1345-BX	Round (RD)	23.5	22	1.9	1.7	1.5	4.9	62MHRFX	62MHRFXP	62MHRPC	62MHRPCP

*FLOW RATINGS SHOWN ARE 50% MAXIMUM

NOTES:

- ALL FRAMING IS CONSTRUCTED OF 304 STAINLESS STEEL FOR 25 YEAR SERVICE LIFE RATING
- TOTAL BYPASS CAPACITY WILL VARY WITH EACH SIZED DRAINAGE STRUCTURE. FLEXSTORM DESIGNS FRAMING BYPASS TO MEET OR EXCEED THE DESIGN FLOW OF THE PARTICULAR DRAINAGE STRUCTURE.
- UPON ORDERING ADS P/N CONFIRMATION OF THE DOT CALLOUT, FLEXSTORM ITEM CODE, CASTING MAKE AND MODEL, OR DETAILED DIMENSIONAL FORMS MUST BE PROVIDED.
- FOR WRITTEN SPECIFICATIONS AND MAINTENANCE GUIDELINES VISIT WWW.INLETFILTERS.COM

INSTALLATION:

- REMOVE GRATE
- DROP FLEXSTORM INLET FILTER ONTO LOAD BEARING LIP OF CASTING OR CONCRETE STRUCTURE
- REPLACE GRATE



ALL PRODUCTS MANUFACTURED BY INLET & PIPE PROTECTION, INC A DIVISION OF ADS, INC.
WWW.INLETFILTERS.COM
 (866) 287-8655 PH
 (630) 355-3477 FX
INFO@INLETFILTERS.COM

SIZE	DWG NO	REV
C	P-LA-SUBMITTAL	A
SCALE	SHEET 1 OF 1	