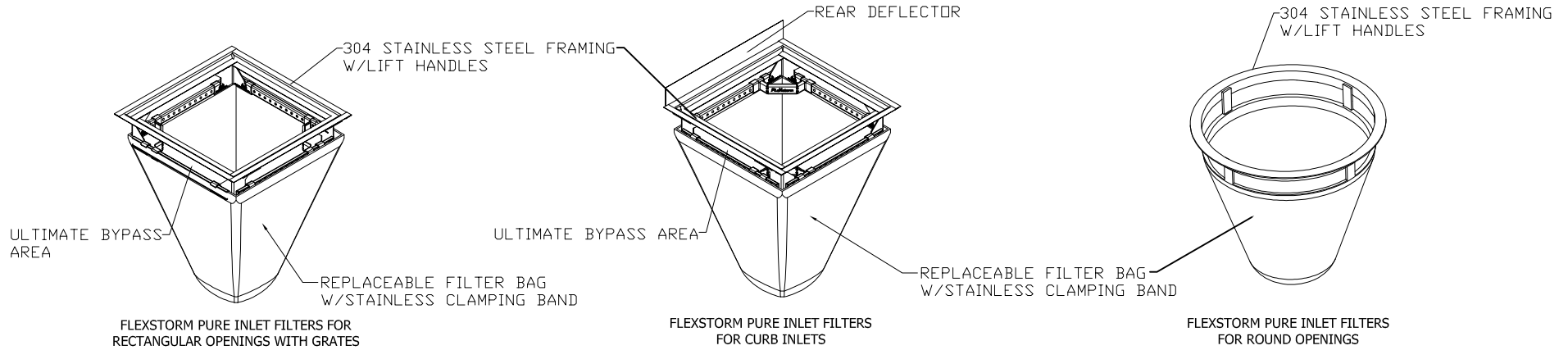


FLEXSTORM PURE FILTERS FOR PERMANENT INLET PROTECTION PRODUCT SELECTION AND SPECIFICATION DRAWING

NORTH DAKOTA



Product selection for FLEXSTORM PURE Filters (Permanent Inlet Protection)													
North Dakota Standard	Neenah Casting	East Jordan Casting #	Inlet Type	Grate Size	Opening Size	Bag Cap. (ft ³)	Flow Ratings (CFS)			Part #			
							FX/FX+	PC/PC+	Bypass	FX	FX+	PC	PC+
City of Fargo	R-3404	5100	Square (SQ)	21.5 x 21.5	20.125 x 20.125	2.6	1.7	1.2	4.3	62MHDFX	62MHDFXP	62MHDPC	62MHDPCP
City of Moorhead	R-3405	5250	Square (SQ)	23.6	22 x 22	3.1	1.9	1.3	4.7	62MH22DFX	62MHD22FXP	62MHD22PC	62MHD22PCP
City of Bismarck	R-3067	7030	Curb Box (CB)	35.5 x 18.0	33.0 x 16.0	3.8	2.2	1.5	5.3	62LHDEXTCBFX	62LHDEXTCBFXP	62LHDEXTCBPC	62LHDEXTCBPCP
City of West Fargo	R-3250-A	7550M	Round (RD)	25.625	24	2.0	1.5	1.1	5.3	62MHRFX	62MHRFXP	62MHRPC	62MHRPCP
City of Grand Folks	R-3065	V4010	Curb Box (CB)	19.875 x 17.0	18 x 15.125	1.7	1.4	1.0	3.6	62MHDFX	62MHDFXP	62MHDPC	62MHDPCP
ND DOT Type 1 Inlet	R-3030	7010	Curb Box (CB)	23.0 x 16.0	20.5 x 13.5	1.8	1.4	1.0	3.7	62MHDFX	62MHDFXP	62MHDPC	62MHDPCP
ND DOT Type 2 Inlet	R-3067	7030	Curb Box (CB)	35.5 x 18.0	33.0 x 16.0	3.4	2.1	1.5	5.3	62LHDEXTCBFX	62LHDEXTCBFXP	62LHDEXTCBPC	62LHDEXTCBPCP
ND DOT Mountable Type B	R-3382	7567M2	V Grate (SQV)	39.625 x 22.125	35.125 x 18.5	4.1	2.3	1.6	5.8	62LHDFX	62LHDFXP	62LHDPC	62LHDPCP
ND DOT Mountable Type 2 Inlet	R-2030	1058	Round (RD)	23	20.875	1.5	1.3	0.6	2.3	62MHRFX	62MHRFXP	62MHRPC	62MHRPCP
ND DOT Inlet Type 1 with V Grate	R-3065	V4010	Curb Box (CB)	19.875 x 17.0	18 x 15.125	4.1	2.3	1.0	3.6	62MHDFX	62MHDFXP	62MHDPC	62MHDPCP
ND DOT Inlet Type 2 Double	R-3295-2	7031	Curb Box (CB)	35.5 x 18 (x2)	33.0 x 16.0 (x2)	7.6	4.4	1.6	5.3	62XLHDEXTFX	62XLHDEXTFXP	62XLHDEXTPC	62XLHDEXTPCP
Standard	R-1733	1205	Round (RD)	25.75	24.375	2.1	1.6	1.1	5.4	62MHRFX	62MHRFXP	62MHRPC	62MHRPCP

NOTES:

- ALL FRAMING IS CONSTRUCTED OF 304 STAINLESS STEEL FOR 25 YEAR SERVICE LIFE RATING
- TOTAL BYPASS CAPACITY WILL VARY WITH EACH SIZED DRAINAGE STRUCTURE. FLEXSTORM DESIGNS FRAMING BYPASS TO MEET OR EXCEED THE DESIGN FLOW OF THE PARTICULAR DRAINAGE STRUCTURE.
- UPON ORDERING ADS P/N CONFIRMATION OF THE DOT CALLOUT, FLEXSTORM ITEM CODE, CASTING MAKE AND MODEL, OR DETAILED DIMENSIONAL FORMS MUST BE PROVIDED.
- FOR WRITTEN SPECIFICATIONS AND MAINTENANCE GUIDELINES VISIT WWW.INLETFILTERS.COM

*FLOW RATINGS SHOWN ARE 50% MAXIMUM



INSTALLATION:

- REMOVE GRATE
- DROP FLEXSTORM INLET FILTER ONTO LOAD BEARING LIP OF CASTING OR CONCRETE STRUCTURE
- REPLACE GRATE

ALL PRODUCTS MANUFACTURED BY INLET & PIPE PROTECTION, INC A DIVISION OF ADS, INC.
WWW.INLETFILTERS.COM
 (866) 287-8655 PH
 (630) 355-3477 FX
INFO@INLETFILTERS.COM

SIZE	DWG NO	REV
C	P-ND-SUBMIT	A
SCALE	SHEET 1 OF 1	