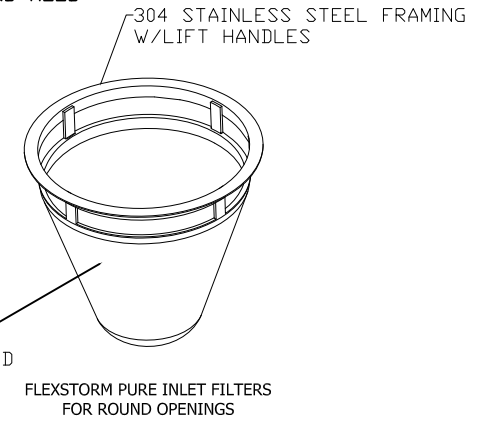
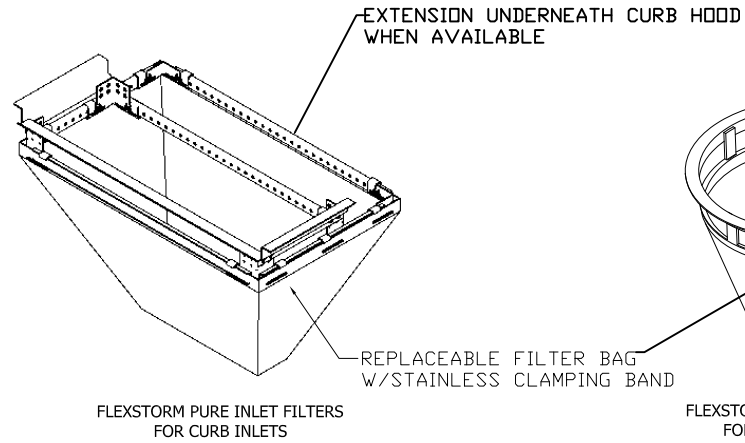
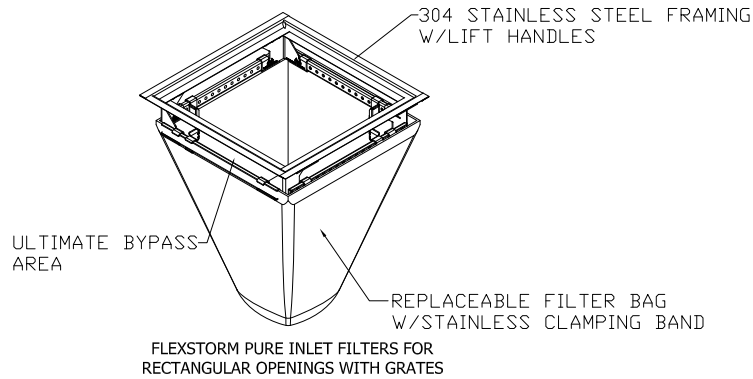


FLEXSTORM PURE FILTERS FOR PERMANENT INLET PROTECTION PRODUCT SELECTION AND SPECIFICATION DRAWING

SOUTH CAROLINA



Product selection for FLEXSTORM PURE Filters (Permanent Inlet Protection)

USF Casting #	Inlet Type	Grate Size	Opening Size	Bag Cap (ft ³)	Flow Ratings (CFS)			FX	FX+	PC	PC+
					FX/FX+	PC/PC+	Bypass				
4646	Square/Rect (SQ)	26.25 x 24.0	23.0 x 23.25	2.4	1.9	1.4	4.4	62MHDFX	62MHDFXP	62MHDFX	62MHDPCP
4647	Square/Rect (SQ)	46.0 x 26.25	43.0 x 23.0	4.6	2.8	2.0	6.4	62XLHDFX	62XLHDFXP	62XLHDFX	62XLHDPCP
4130	Square/Rect (SQ)	24.0 x 24.0	22.125 x 22.125	2.2	1.8	1.3	4.2	62MHD22FX	62MHD22FXP	62MHD22FX	62MHD22PCP
4171	Square/Rect (SQ)	24.0 x 24.0	22.75 x 22.75	2.4	1.9	1.4	4.4	62MHD22FX	62MHD22FXP	62MHD22FX	62MHD22PCP
4137/4138/4139	Square/Rect (SQ)	36.0 x 24.0	~34.5 x ~22.5	3.5	2.4	1.7	5.4	62LHD2436FX	62LHD2436FXP	62LHD2436PC	62LHD2436PCP
4156-6420/6421	Square/Rect (SQ)	37.75 x 37.75	36 x 36	6.7	2.9	2.6	7.0	62XLHDFX	62XLHDFXP	62XLHDPC	62XLHDPCP
5181*	Curb Box (CB)	36.5 x 23.75	34.5 x 21.75	3.3	2.3	1.6	5.3	62LHD5181FX	62LHD5181FXP	62LHD5181PC	62LHD5181PCP
5125-6173	Curb Box (CB)	36.5 x 24.375	35 x 29.125	3.3	2.3	1.6	5.3	62LHD5125FX	62LHD5125FXP	62LHD5125PC	62LHD5125PCP
5141-6182	Curb Box (CB)	29.7 x 17.75	28.625 x 22.6	2.6	1.8	1.2	4.5	62LHDFX	62LHDFXP	62LHDPC	62LHDPCP

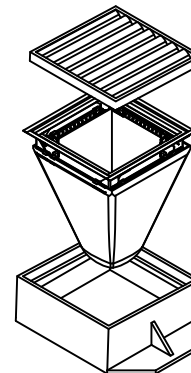
*FLOW RATINGS SHOWN ARE 50% MAXIMUM

NOTES:

- ALL FRAMING IS CONSTRUCTED OF 304 STAINLESS STEEL FOR 25 YEAR SERVICE LIFE RATING
- TOTAL BYPASS CAPACITY WILL VARY WITH EACH SIZED DRAINAGE STRUCTURE. FLEXSTORM DESIGNS FRAMING BYPASS TO MEET OR EXCEED THE DESIGN FLOW OF THE PARTICULAR DRAINAGE STRUCTURE.
- UPON ORDERING ADS P/N CONFIRMATION OF THE DOT CALLOUT, FLEXSTORM ITEM CODE, CASTING MAKE AND MODEL, OR DETAILED DIMENSIONAL FORMS MUST BE PROVIDED.
- FOR WRITTEN SPECIFICATIONS AND MAINTENANCE GUIDELINES VISIT WWW.INLETFILTERS.COM

INSTALLATION:

- REMOVE GRATE
- DROP FLEXSTORM INLET FILTER ONTO LOAD BEARING LIP OF CASTING OR CONCRETE STRUCTURE
- REPLACE GRATE



ALL PRODUCTS MANUFACTURED BY INLET & PIPE PROTECTION, INC A DIVISION OF ADS, INC.
WWW.INLETFILTERS.COM
 (866) 287-8655 PH
 (630) 355-3477 FX
INFO@INLETFILTERS.COM

SIZE	DWG NO	REV
C	P-SC-SUBMIT	A
SCALE	SHEET 1 OF 1	