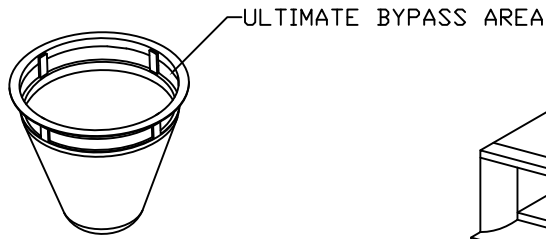
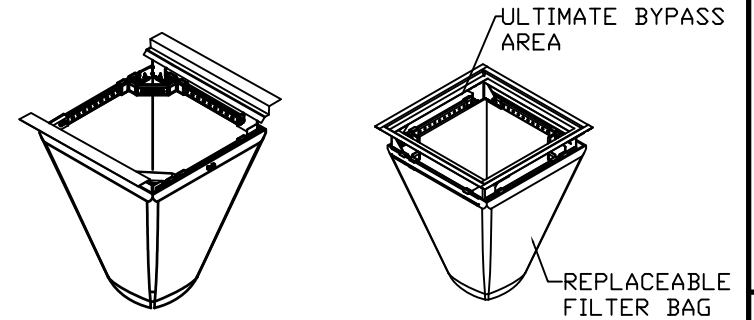
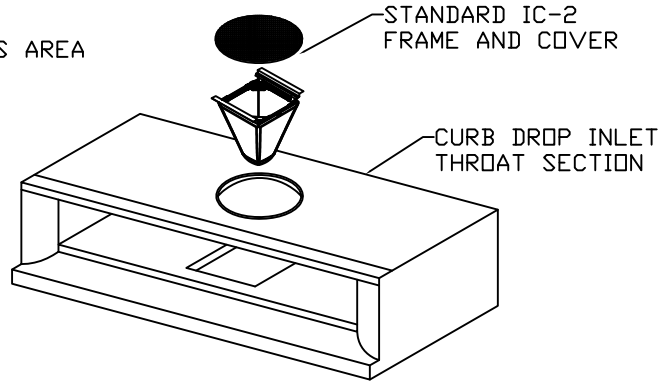


# FLEXSTORM PURE FILTERS FOR PERMANENT INLET PROTECTION PRODUCT SELECTION AND SPECIFICATION DRAWING



FLEXSTORM PURE INLET FILTERS FOR ROUND OPENINGS



FLEXSTORM PURE INLET FILTERS FOR RECTANGULAR OPENINGS WITH GRATES

## Product selection for FLEXSTORM PURE Filters (Permanent Inlet Protection)

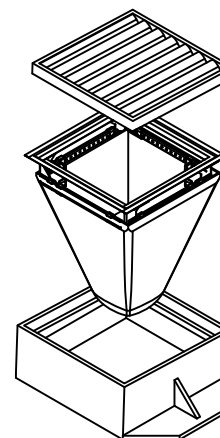
Virginia DOT Std.	Inlet Type	Grate Size	Opening Size	Bag Cap (ft <sup>3</sup> )	Flow Ratings (CFS)			P/N			
					FX/FX+	PC/PC+	Bypass	FX	FX+	PC	PC+
DI-1	Square/Rectangular	30 x 30	27 x 27	4.1	1.5	1.3	5.5	62LHDVA1FX	62LHDVA1FXP	62LHDVA1PC	62LHDVA1PCP
DI-3/4	Open Throat	N/A	20 x 30	3.8	2.1	1.7	5.4	62LHDVA3FX	62LHDVA3FXP	62LHDVA3PC	62LHDVA3PCP
DI-7	Concrete box (HD)	40 x 36	36 x 36	7.2	8.8	7.6	8.3	62XLHDVA7FX	62XLHDVA7FXP	62XLHDVA7PC	62XLHDVA7PCP
IC-2	Round (RD)	21.75	20.5	1.7	1.3	1.1	5.4	62MHDRFX	62MHDRFXP	62MHDRPC	62MHDRPCP

### NOTES:

- ALL FRAMING IS CONSTRUCTED OF 304 STAINLESS STEEL FOR 25 YEAR SERVICE LIFE RATING
- TOTAL BYPASS CAPACITY: BYPASS CAPACITY WILL VARY WITH EACH SIZE DRAINAGE STRUCTURE. FLEXSTORM DESIGNS FRAMING BYPASS TO MEET OR EXCEED THE DESIGN FLOW OF THE PARTICULAR DRAINAGE STRUCTURE.
- UPON ORDERING CONFIRMATION OF THE DOT CALLOUT, PRECAST OR CASTING MAKE AND MODEL, OR DETAILED DIMENSIONAL FORMS MUST BE PROVIDED TO CONFIGURE AND ASSEMBLE YOUR CUSTOMIZED FLEXSTORM INLET FILTER. PART NUMBER ALONE IS NOT SUFFICIENT.
- FOR WRITTEN SPECIFICATIONS AND MAINTENANCE GUIDELINES VISIT [WWW.INLETFILTERS.COM](http://WWW.INLETFILTERS.COM)

### INSTALLATION:

- REMOVE GRATE
- DROP FLEXSTORM INLET FILTER ONTO LOAD BEARING LIP OF CASTING OR CONCRETE STRUCTURE
- REPLACE GRATE



ALL PRODUCTS MANUFACTURED BY INLET & PIPE PROTECTION, INC A DIVISION OF ADS, INC.  
[WWW.INLETFILTERS.COM](http://WWW.INLETFILTERS.COM)  
 (866) 287-8655 PH  
 (630) 355-3477 FX  
[INFO@INLETFILTERS.COM](mailto:INFO@INLETFILTERS.COM)

SIZE	DWG NO	REV
C	FLEXSTORM_PURE	A
SCALE	SHEET 1 OF 1	