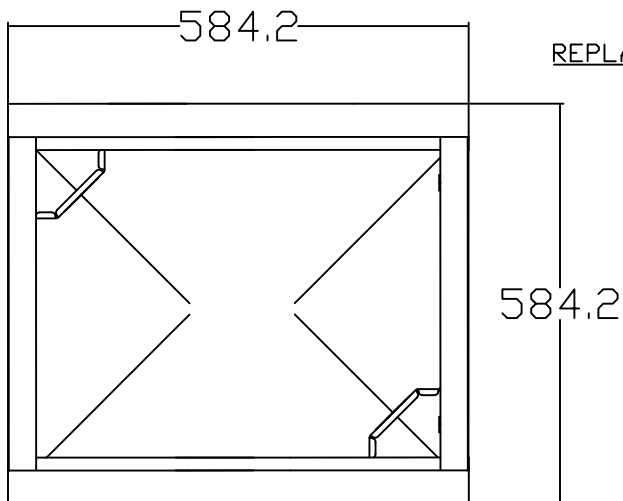
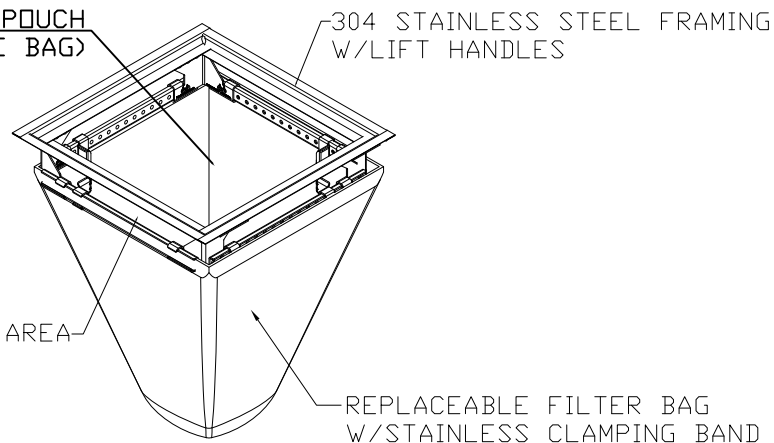


# FLEXSTORM INLET FILTER: 62MHDFX FOR ODSPD 400. \_\_ Std.



REPLACEABLE ACTIVATED CARBON POUCH  
(CLIPPED TO BOTTOM OF THE BAG)

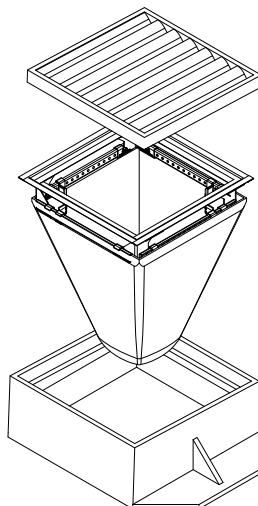


FLEXSTORM PURE INLET FILTERS FOR  
RECTANGULAR OPENINGS WITH GRATES

## Product selection for FLEXSTORM PURE Filters (Permanent Inlet Protection)

Standard	Inlet Type	Grate Size	Opening Size	Bag Cap (liters <sup>3</sup> )	Flow Ratings (liters/second)			FX	FX+	PC	PC+
					FX/FX+	PC/PC+	Bypass				
ODSP 400. __	Square/Rect (SQ) tab supports	604 X 604	508 x 508	67.8	53.8	33.9	124.6	62MHDONTFX	62MHDONTFXP	62MHDONTFX	62MHDONTPCP

\*Ratings shown at 50% capacity to accommodate filter bag midway through service life.



	ALL PRODUCTS MANUFACTURED FLEXSTORM A DIVISION OF ADS, INC. WWW.INLETFILTERS.COM (866) 287-8655 PH (630) 355-3477 FX INFO@INLETFILTERS.COM			REV
	SIZE C	FRAME TYPE	DWG NO	A
SCALE Drawn			SHEET 1 OF 1	

THIS PRINT DISCLOSES SUBJECT MATTER IN WHICH FLEXSTORM HAS PROPRIETARY RIGHTS. THE RECEIPT OR POSSESSION OF THIS PRINT DOES NOT CONFER, TRANSFER, OR LICENSE THE USE OF THE DESIGN OR TECHNICAL INFORMATION SHOWN HEREIN, REPRODUCTION OF THIS PRINT OR ANY INFORMATION CONTAINED HEREIN, OR MANUFACTURE OF ANY ARTICLE HEREFROM, FOR THE DISCLOSURE TO OTHERS IS FORBIDDEN, EXCEPT BY WRITTEN PERMISSION FROM FLEXSTORM. ©2013 ADS, INC.